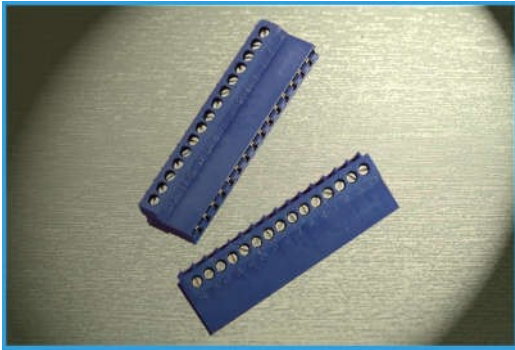


TERMINAL BLOCK CONNECTORS

Screw Terminal edge connectors - p.5,0 mm

D



SPECIFICATIONS

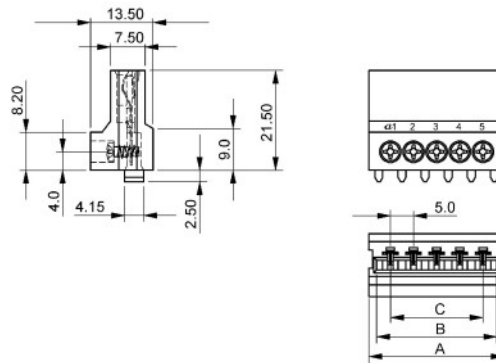
Current Rating: 5A
 Insulation Resistance: 5000 MΩ min.
 Voltage Rating: 250V AC
 Withstanding Voltage: 1500V AC/minute
 Temperature Range: -55°C ~ +125°C
 Contact Resistance: 20 mΩ max.

FEATURES

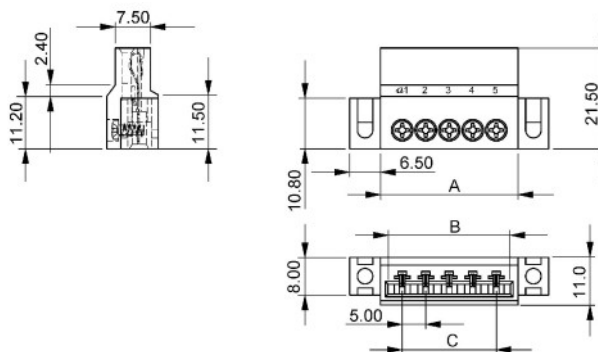
Size 3 to 15 poles
 Suitable for discret wire AWG 16~ 20
 Accept PCB tck 1.57mm
 Packaging box
 Screw driver Ph1

MATERIAL

Insulator: Norly, UL 94V-0, blue colour
 Contact: Phosphor bronze
 Plating: Tin over nickel



Poles	Part. No.	A (mm)	B (mm)	C (mm)	Poles	Part. No.	A (mm)	B (mm)	C (mm)
3	540440370	19,30	16,10	10,00	13	540441370	69,30	66,20	60,00
4	540440470	24,30	21,10	15,00	14	540441470	74,30	71,20	65,00
5	540440570	29,30	26,10	20,00	15	540441570	79,30	76,20	70,00
6	540440670	34,30	31,10	25,00					
7	540440770	39,30	36,10	30,00					
8	540440870	44,30	41,10	35,00					
9	540440970	49,30	46,10	40,00					
10	54044'070	54,30	51,20	45,00					
11	54044'170	59,30	56,20	50,00					
12	54044'270	64,30	61,20	55,00					



Poles	Part. No.	A (mm)	B (mm)	C (mm)	Poles	Part. No.	A (mm)	B (mm)	C (mm)
5	540450570	29,30	26,10	20,00					
6	540450670	34,30	31,10	25,00					
7	540450770	39,30	36,10	30,00					
8	540450870	44,30	41,10	35,00					
9	540450970	49,30	46,10	40,00					
10	54045'070	54,30	51,20	45,00					
11	54045'170	59,30	56,20	50,00					
12	54045'270	64,30	61,20	55,00					
13	54045'370	69,30	66,20	60,00					
14	54045'470	74,30	71,20	65,00					