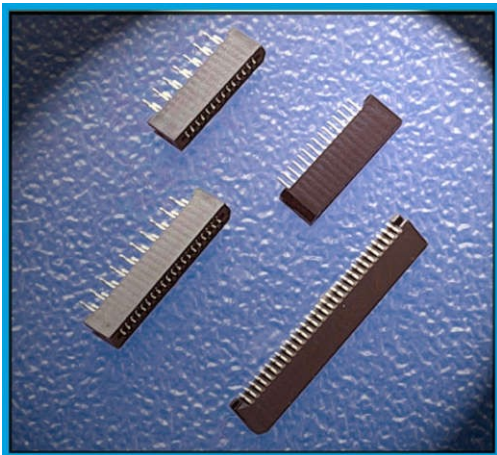


# RIBBON & FLAT WIRE CABLES AND CONNECTORS

FPC/FFC connectors - LIF conn. p.1,0 mm THT 90/180°

B



## SPECIFICATIONS

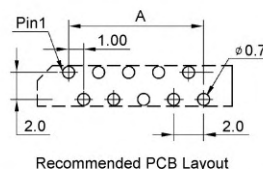
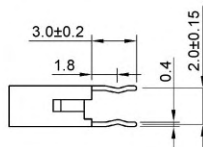
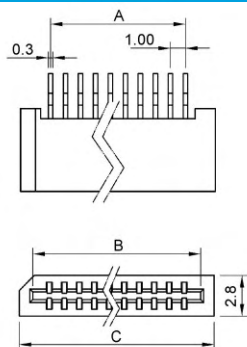
Current Rating: 0.5 A  
 Voltage Rating: 50V AC,DC  
 Insulation Resistance: 1000 MΩ min.  
 Withstanding Voltage: 500V AC/minute  
 Temperature Range: -40°C ~ +105°C  
 Contact Resistance: 30 mΩ max.

## FEATURES

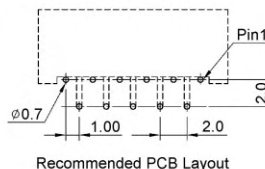
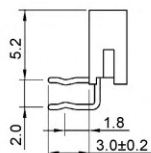
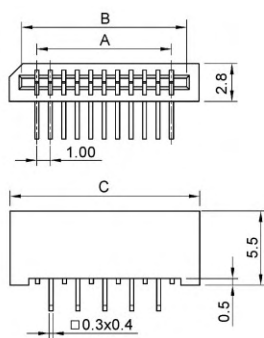
Size 2 to 36 poles  
 Suitable for 1.57mm thick PCB  
 Accept FFC/FPC tck 0.3 mm  
 Packaging Tube

## MATERIAL

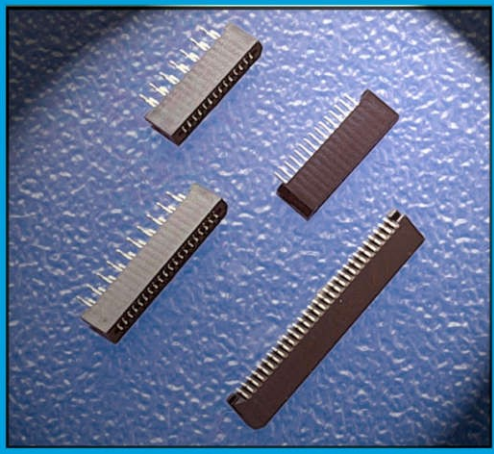
Insulator: G.F. thermoplastic, UL 94 V-0  
 Contact: Copper alloy  
 Plating: Tin over Nickel



Poles	Part. No.	A (mm)	B (mm)	C (mm)
02	593470220	1.00	3.10	5.00
03	593470320	2.00	4.10	6.00
04	593470420	3.00	5.10	7.00
----	----	----	----	----
----	----	----	----	----
----	----	----	----	----
34	593473420	33.00	35.10	37.00
35	593473520	34.00	36.10	38.00
36	593473620	35.00	37.10	39.00



Poles	Part. No.	A (mm)	B (mm)	C (mm)
02	593470390	1.00	3.10	5.00
03	593470390	2.00	4.10	6.00
04	593470490	3.00	5.10	6.00
----	----	----	----	----
----	----	----	----	----
----	----	----	----	----
34	593473490	33.00	35.10	37.00
35	593473590	34.00	36.10	38.00
36	593473690	35.00	37.10	39.00



### SPECIFICATIONS

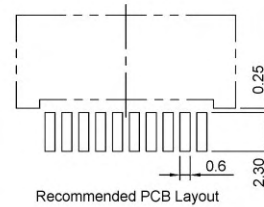
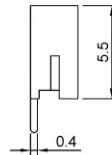
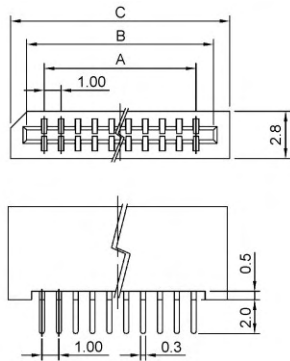
Current Rating: 0.5 A  
 Voltage Rating: 50V AC,DC  
 Insulation Resistance: 1000 MΩ min  
 Withstanding Voltage: 500V AC/minute  
 Temperature Range: -40°C ~ +105°C  
 Contact Resistance: 30 mΩ max.

### FEATURES

Size 2 to 36 poles  
 Accept FFC/FPC tck 0.3 mm  
 Optional Pick&place Pad (180°)  
 Packaging Tube or Tape & reel  
 Vacuum pick&place cap/film optional

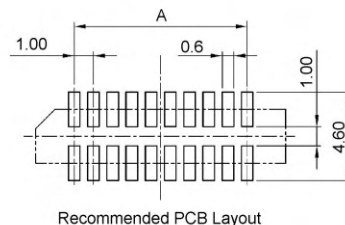
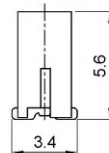
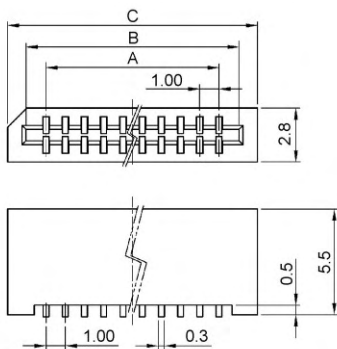
### MATERIAL

Insulator: Nylon 6T, UL 94V-0  
 Contact: Copper alloy  
 Plating: Tin over Nickel



Poles	Part. No.	A (mm)	B (mm)	C (mm)
2	593470200-H*	1.00	3.10	5.00
3	593470300-H*	2.00	4.10	6.00
4	593470400-H*	3.00	5.10	7.00
---	---	---	---	---
---	---	---	---	---
---	---	---	---	---
34	593473400-H*	33.00	35.10	37.00
35	593473500-H*	34.00	36.10	38.00
36	593473600-H*	35.00	37.10	39.00

\*=2 (Tube pack.); \*=3 (Tape&reel 'pack.)



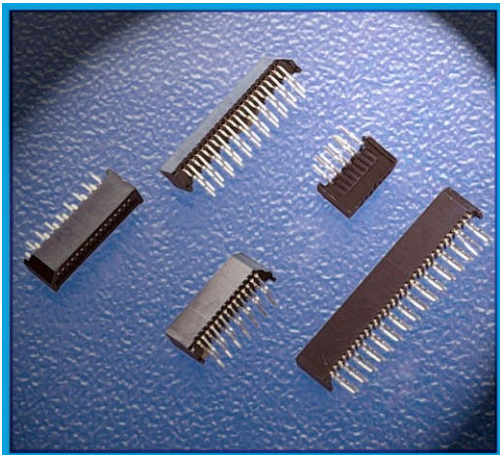
Poles	Part. No.	A (mm)	B (mm)	C (mm)
02	593470200-V*	1.00	3.10	5.00
03	593470300-V*	2.00	4.10	6.00
04	593470400-V*	3.00	5.10	7.00
---	---	---	---	---
---	---	---	---	---
---	---	---	---	---
34	593473400-V*	33.00	35.10	37.00
35	593473500-V*	34.00	36.10	38.00
36	593473600-V*	35.00	37.10	39.00

\*=2 (Tube pack.); \*=3 (Tape&reel 'pack.)

# RIBBON & FLAT WIRE CABLES AND CONNECTORS

FPC/FFC connectors - LIF conn. p.1,25 mm THT 180°

B



## SPECIFICATIONS

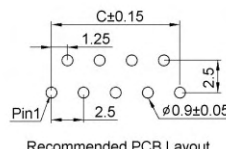
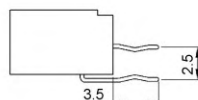
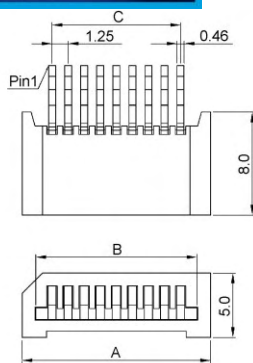
Current Rating: 1A AC,DC  
 Insulation Resistance: 500 MΩ min.  
 Voltage Rating: 200V AC,DC  
 Temperature Range: -40°C ~ +105°C  
 Contact Resistance: 30 mΩ max.

## FEATURES

Size 3 to 36 poles  
 Suitable for 1.57mm thick PCB  
 Accept FFC/FPC tck 0.3 mm  
 Packaging Tube

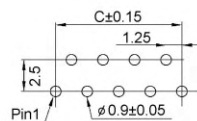
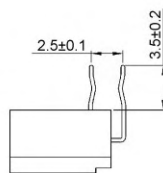
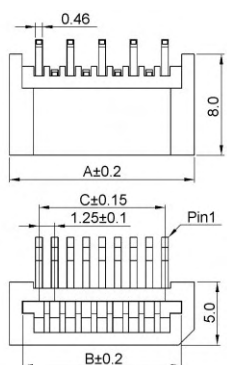
## MATERIAL

Insulator: G.F. thermoplastic, UL 94 V-0  
 Contact: Copper alloy  
 Plating: Tin over Nickel



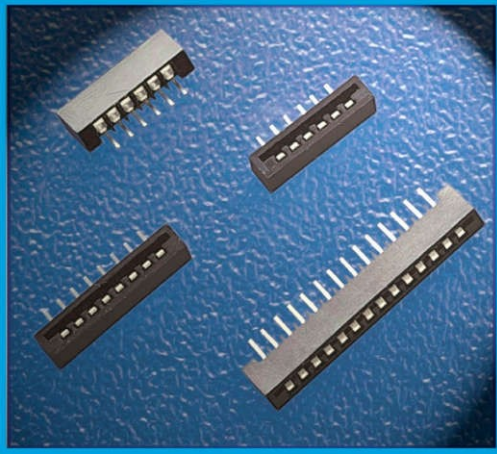
Recommended PCB Layout

Poles	Part. No.	A (mm)	B (mm)	C (mm)
03	503470320	7.30	5.15	2.50
04	503470420	8.55	6.40	3.75
05	503470520	9.80	7.65	5.00
----	----	----	----	----
----	----	----	----	----
----	----	----	----	----
34	503473420	46.05	43.90	41.25
35	503473520	47.30	45.15	42.50
36	503473620	48.55	46.40	43.75



Recommended PCB Layout

Poles	Part. No.	A (mm)	B (mm)	C (mm)
03	503470390	7.30	5.15	2.50
04	503470490	8.55	6.40	3.75
05	503470590	9.80	7.65	5.00
----	----	----	----	----
----	----	----	----	----
----	----	----	----	----
34	503473490	46.05	43.90	41.25
35	503473590	47.30	45.15	42.50
36	503473690	48.55	46.40	43.75



### SPECIFICATIONS

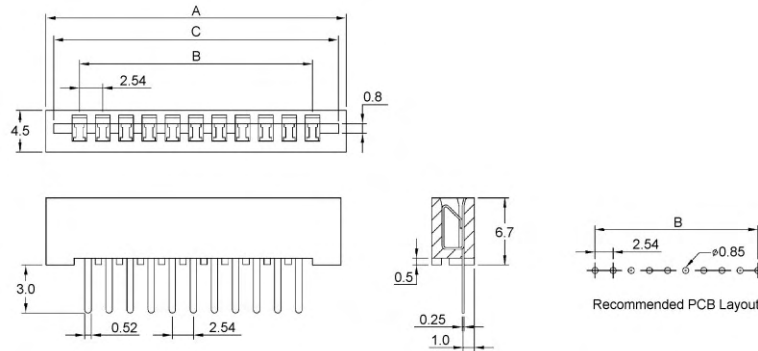
Current Rating: 1A AC,DC  
 Insulation Resistance: 1000 MΩ min.  
 Voltage Rating: 200V AC max.  
 Temperature Range: -40°C ~ +105°C  
 Contact Resistance: 20 mΩ max.

### FEATURES

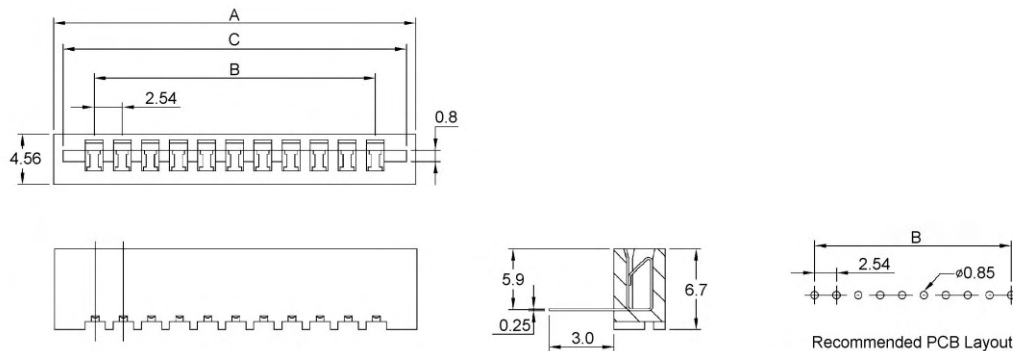
Size 2 to 30 poles  
 Suitable for 1.57mm thick PCB  
 Accept FFC/FPC tck 0.3 mm  
 Packaging Tube

### MATERIAL

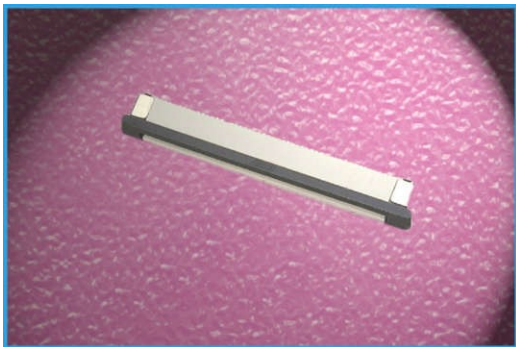
Insulator: G.F. PBT, UL94V-0  
 Contact: Copper alloy  
 Plating: Tin over Nickel



Poles	Part. No	A (mm)	B (mm)	C (mm)
2	513470220	10.54	2.54	8.43
3	513470320	13.08	5.08	10.97
4	513470420	15.62	7.62	13.51
----	----	----	----	----
----	----	----	----	----
----	----	----	----	----
28	513472820	76.58	68.58	74.47
29	513472920	79.12	71.12	77.01
30	513473020	81.66	73.66	79.55



Poles	Part. No.	A (mm)	B (mm)	C (mm)
2	513470290	10.54	2.54	8.43
3	51.470390	13.08	5.08	10.97
4	513470490	15.62	7.62	13.51
----	----	----	----	----
----	----	----	----	----
----	----	----	----	----
28	513482890	76.58	68.58	74.47
29	513472990	79.12	71.12	77.01
30	513473090	81.66	73.66	79.55



### SPECIFICATIONS

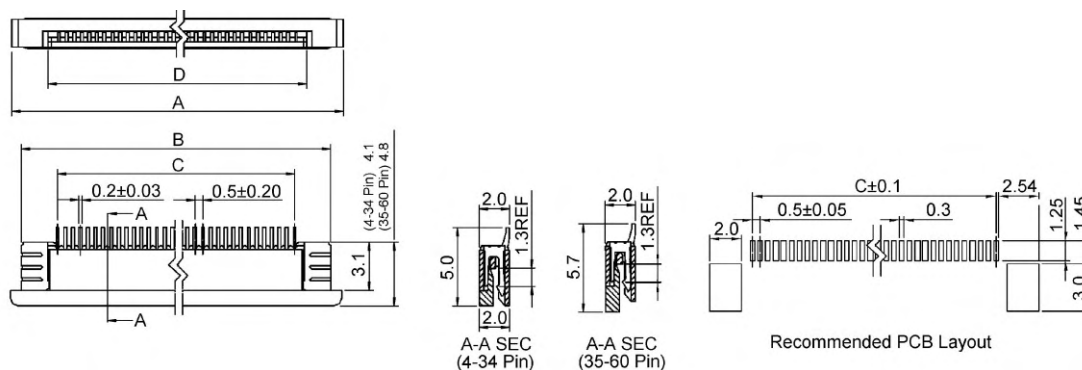
Voltage Rating: 50V AC,DC  
 Current Rating: 0.5A  
 Contact Resistance: 20 mΩ max.  
 Insulation Resistance: 100 MΩ min.  
 Withstanding Voltage: 250V AC/minute  
 Temperature Range: -20°C ~ +85°C

### FEATURES

Size 6 to 60 poles  
 Accept FFC/FPC tck 0.3 mm  
 Vacuum pick&place cap optional  
 Packaging Tube or Tape & reel

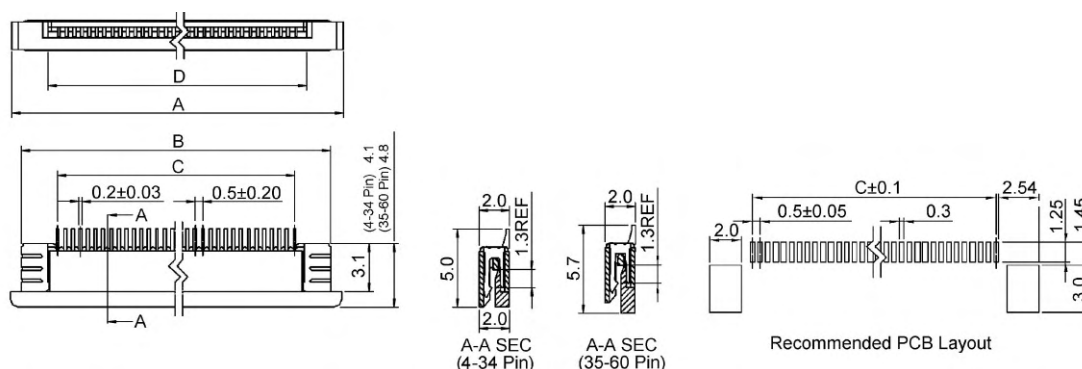
### MATERIAL

Insulator: Nylon 6T, UL 94V-0  
 Contact: Phosphor bronze  
 Plating: Tin plated



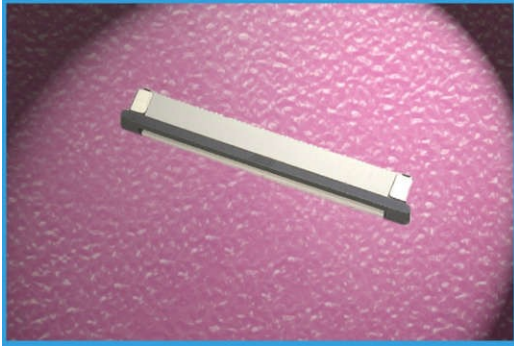
Poles	Part. No.	A (mm)	B (mm)	C (mm)	D (mm)
4	553480400-L*	7.60	6.50	1.50	2.80
5	553480500-L*	8.10	7.00	2.00	3.30
6	553480600-L*	8.60	7.50	2.50	3.80
---	---	---	---	---	---
---	---	---	---	---	---
---	---	---	---	---	---
58	553485800-L*	34.60	33.50	28.50	29.80
59	553485900-L*	35.10	34.00	29.00	30.30
60	553486000-L*	35.60	34.50	29.50	30.80

\*=2 (Tube pack.); \*=3 (Tape&reel 'pack.)



Poles	Part. No.	A (mm)	B (mm)	C (mm)	D (mm)
4	553480400-U*	7.60	6.50	1.50	2.80
5	553480500-U*	8.10	7.00	2.00	3.30
6	553480600-U*	8.60	7.50	2.50	3.80
---	---	---	---	---	---
---	---	---	---	---	---
---	---	---	---	---	---
58	553485800-U*	34.60	33.50	28.50	29.80
59	553485900-U*	35.10	34.00	29.00	30.30
60	553486000-U*	35.60	34.50	29.50	30.80

\*=2 (Tube pack.); \*=3 (Tape&reel 'pack.)



### SPECIFICATIONS

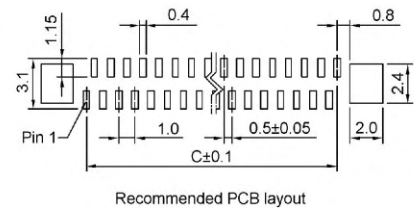
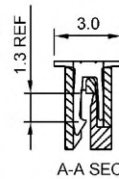
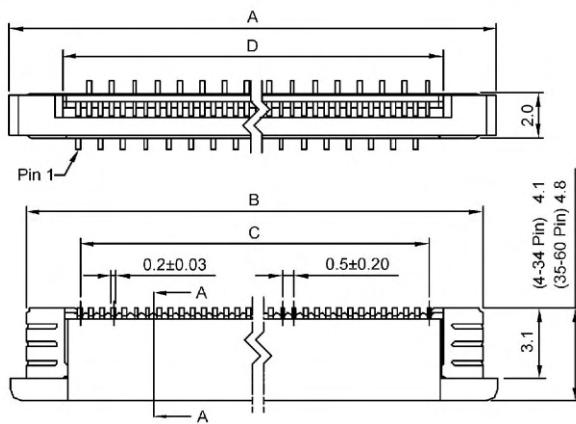
Voltage Rating: 50V AC,DC  
 Current Rating: 0.5A  
 Contact Resistance: 20 mΩ max.  
 Insulation Resistance: 100 MΩ min.  
 Withstanding Voltage: 250V AC/minute  
 Temperature Range: -20°C ~ +85°C

### FEATURES

Size 6 to 60 poles  
 Accept FFC/FPC tck 0.3 mm  
 Packaging Tube or Tape & reel  
 Vacuum pick&place cap/film optional

### MATERIAL

Insulator: Nylon 6T, UL 94V-0  
 Contact: Phosphor bronze  
 Plating: Tin plated



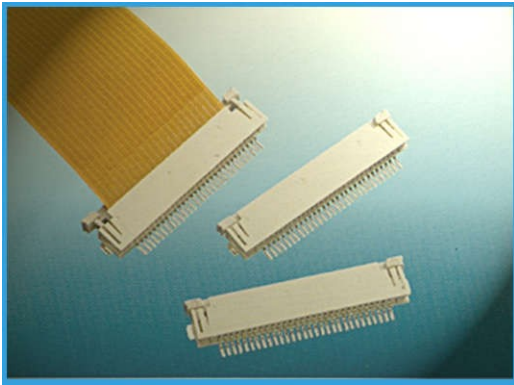
Poles	Part. No.	A (mm)	B (mm)	C (mm)	D(mm)
4	553480400-V*	7.60	6.50	1.50	2.80
5	553480500-V*	8.10	7.00	2.00	3.30
6	553480600-V*	8.60	7.50	2.50	3.80
---	---	---	---	---	---
---	---	---	---	---	---
---	---	---	---	---	---
---	---	---	---	---	---
58	553485800-V*	34.60	33.50	28.50	29.80
59	553485900-V*	35.10	34.00	29.00	30.30
60	553486000-V*	35.60	34.50	29.50	30.80

\*=2 (Tube pack.); \*=3 (Tape&reel 'pack.)

# RIBBON & FLAT WIRE CABLES AND CONNECTORS

FPC/FFC connectors - ZIF conn. p.0,8 mm SMT 90°

B



## SPECIFICATIONS

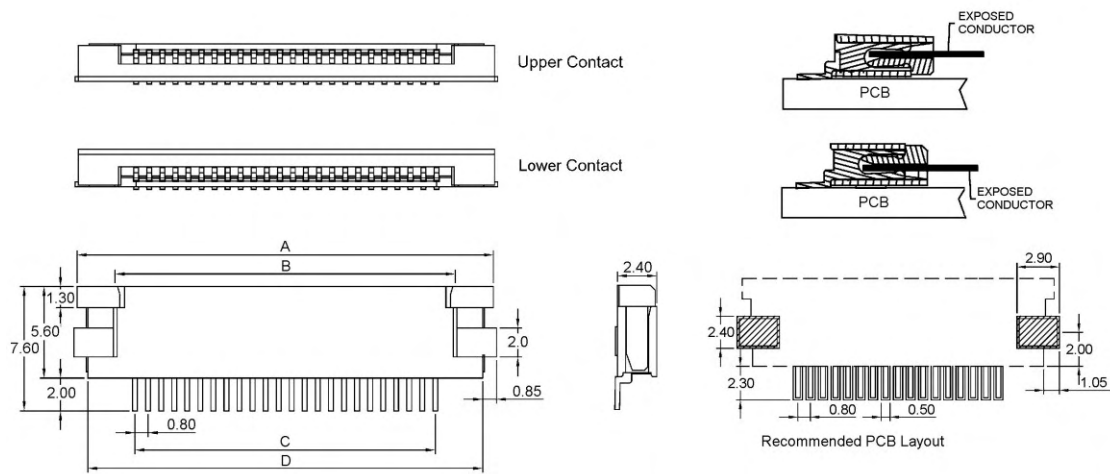
Voltage Rating: 100V AC,DC  
 Current Rating: 1 A  
 Contact Resistance: 20 mΩ max.  
 Insulation Resistance: 500 MΩ min.  
 Withstanding Voltage: 500V AC/minute  
 Temperature Range: -40°C ~ +85°C

## FEATURES

Size 4 to 30 poles  
 Accept FFC/FPC tck 0.3 mm  
 Packaging Tube or Tape & reel  
 Vacuum pick&place cap optional

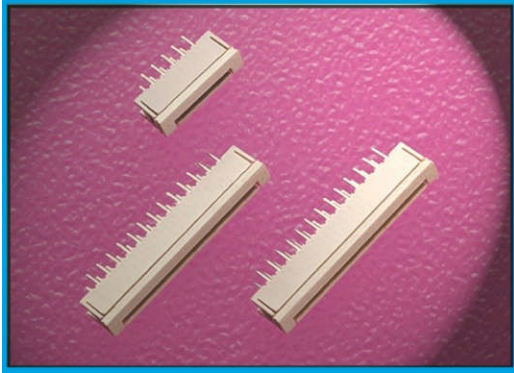
## MATERIAL

Insulator: Nylon 46, UL 94V-0  
 Contact: Phosphor bronze  
 Plating: Tin over nickel



Poles	P/N. Lower c.	P/N. Upper c.	A (mm)	B (mm)	C (mm)	D (mm)
4	583480400-L*	583480400-U*	9.50	4.84	2.40	8.20
5	583480500-L*	583480500-U*	10.30	5.64	3.20	9.00
6	583480600-L*	583480500-U*	11.10	6.44	4.00	9.80
---	---	---	---	---	---	---
---	---	---	---	---	---	---
---	---	---	---	---	---	---
28	583482800-L*	583482800-U*	28.70	24.04	21.60	27.40
29	583482900-L*	583482900-U*	29.50	24.84	22.40	28.20
30	583483000-L*	583483000-U*	30.30	25.64	23.20	29.00

\*=2 (Tube pack.); \*=3 (Tape&reel 'pack.)



### SPECIFICATIONS

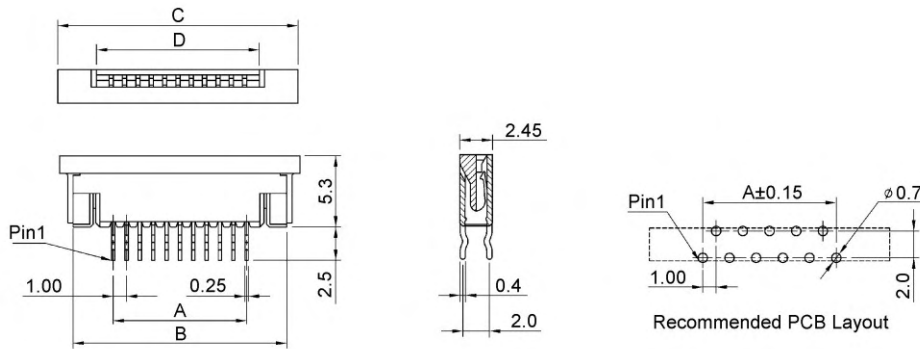
Voltage Rating: 100V AC,DC  
 Current Rating: 1A  
 Contact Resistance: 20 mΩ max.  
 Insulation Resistance: 500 MΩ min.  
 Withstanding Voltage: 500V AC/minute  
 Temperature Range: -40°C ~ +85°C

### MATERIALS

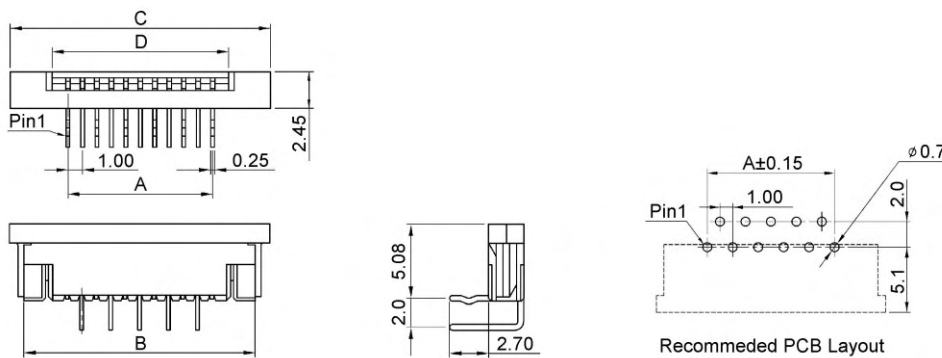
Insulator: Nylon 46, UL 94V-0  
 Actuator: PPA, UL 94 V-0  
 Contact: Phosphor bronze  
 Plating: Tin plated

### FEATURES

Size 4 to 34 poles  
 Suitable for 1,57mm thick PCB  
 Accept FFC/FPC tck 0.3 mm  
 Packaging Tube



Poles	Part. No.	A (mm)	B (mm)	C (mm)	D (mm)
4	593480420	3.00	9.00	11.00	5.05
5	593480520	4.00	10.00	12.00	6.05
6	593480620	5.00	11.00	13.00	7.05
----	----	----	----	----	----
----	----	----	----	----	----
32	593483220	31.00	37.00	39.00	33.05
33	593483320	32.00	38.00	40.00	34.05
34	593483420	33.00	39.00	41.00	35.05



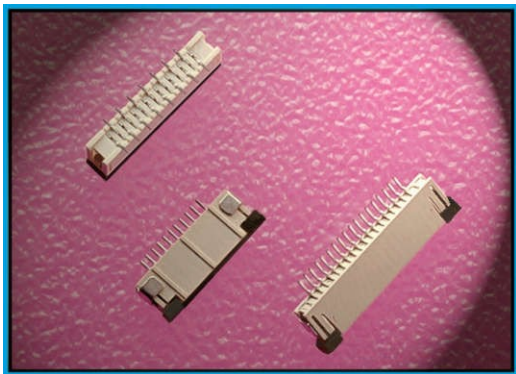
Poles	Part. No.	A (mm)	B (mm)	C (mm)	D (mm)
4	593480490	3.00	9.00	11.00	5.05
5	593480590	4.00	10.00	12.00	6.05
6	593480690	5.00	11.00	13.00	7.05
----	----	----	----	----	----
----	----	----	----	----	----
32	593483290	31.00	37.00	39.00	33.05
33	593483390	32.00	38.00	40.00	34.05
34	593483490	33.00	39.00	41.00	35.05



# RIBBON & FLAT WIRE CABLES AND CONNECTORS

## FPC/FFC connectors - ZIF conn. p.1,0 mm SMT 90/180° - Solder Tabs

B



### SPECIFICATIONS

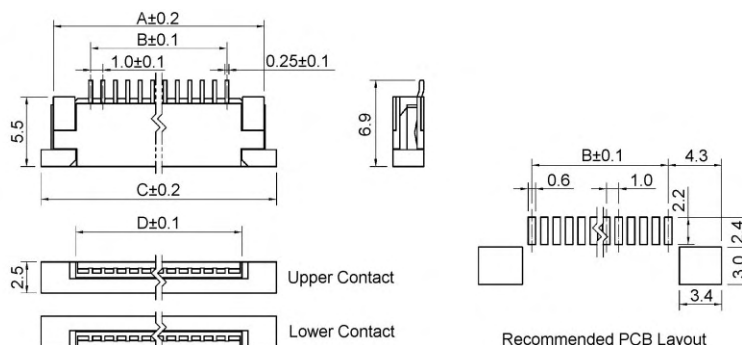
Voltage Rating: 100V AC,DC  
 Current Rating: 1 A  
 Contact Resistance: 20 mΩ max.  
 Insulation Resistance: 500 MΩ min.  
 Withstanding Voltage: 500V AC/minute  
 Temperature Range: -40°C ~ +85°C

### FEATURES

Size 4 to 30 poles  
 Accept FFC/FPC tck 0.3 mm  
 Packaging Tube or Tape & reel  
 Vacuum pick&place cap optional

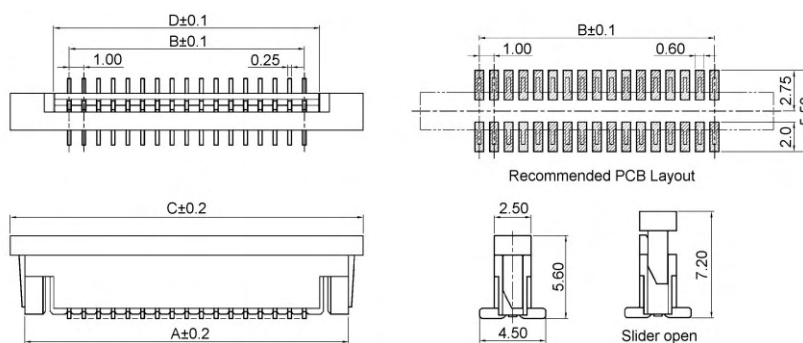
### MATERIAL

Insulator LCP, UL 94V-0  
 Actuator LCP, UL 94V-0  
 Contact Phosphor bronze  
 Plating Tin plated



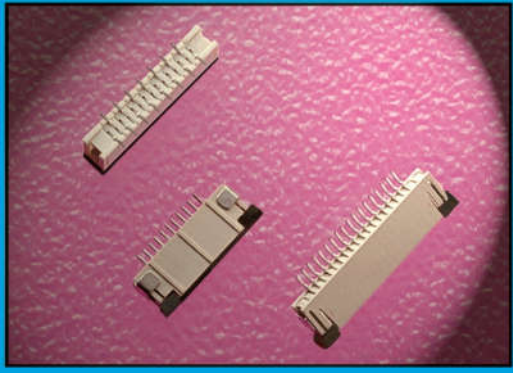
Poles	P/N Lower c.	P/N Upper c.	A (mm)	B (mm)	C (mm)	D(mm)
4	593480400-L*	593480400-U*	9.10	3.00	11.10	5.10
5	593480500-L*	593480500-U*	10.10	4.00	12.10	6.10
6	593480600-L*	593480600-U*	11.10	5.00	13.10	7.10
---	---	---	---	---	---	---
---	---	---	---	---	---	---
---	---	---	---	---	---	---
28	593482800-L*	593482800-U*	33.10	27.00	35.10	29.10
29	593482900-L*	593482900-U*	34.10	28.00	36.10	30.10
30	593483000-L*	593483000-U*	35.10	29.00	37.10	31.10

\*=2 (Tube pack.); \*=3 (Tape&reel 'pack.)



Poles	P/N Vertical	A (mm)	B (mm)	C (mm)	D(mm)
4	593480400-V*	9.10	3.00	11.10	5.10
5	593480500-V*	10.10	4.00	12.10	6.10
6	593480600-V*	11.10	5.00	13.10	7.10
---	---	---	---	---	---
---	---	---	---	---	---
---	---	---	---	---	---
28	593482800-V*	33.10	27.00	35.10	29.10
29	593482900-V*	34.10	28.00	36.10	30.10
30	593483000-V*	35.10	29.00	37.10	31.10

\*=2 (Tube pack.); \*=3 (Tape&reel 'pack.)



### SPECIFICATIONS

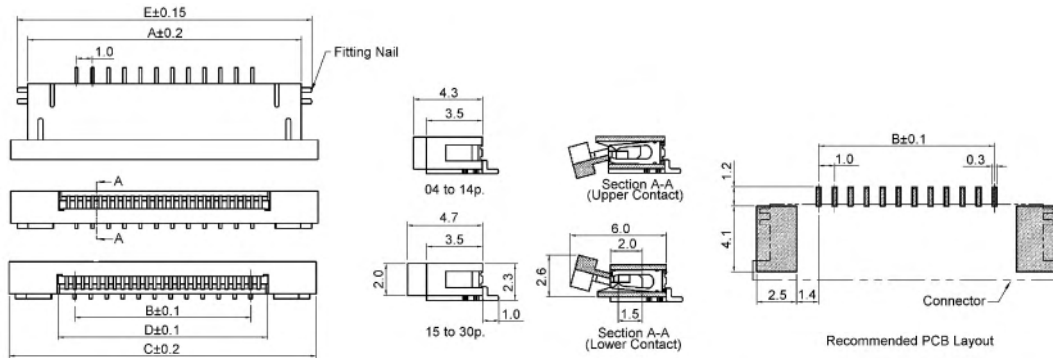
Voltage Rating: 100V AC,DC  
 Current Rating: 1 A  
 Contact Resistance: 20 mΩ max.  
 Insulation Resistance: 500 MΩ min.  
 Withstanding Voltage: 500V AC/minute  
 Temperature Range: -40°C ~ +85°C

### FEATURES

Size 4 to 30 poles  
 Accept FFC/FPC tck 0,3 mm  
 Packaging Tube or Tape & reel  
 Vacuum pick&place cap optional

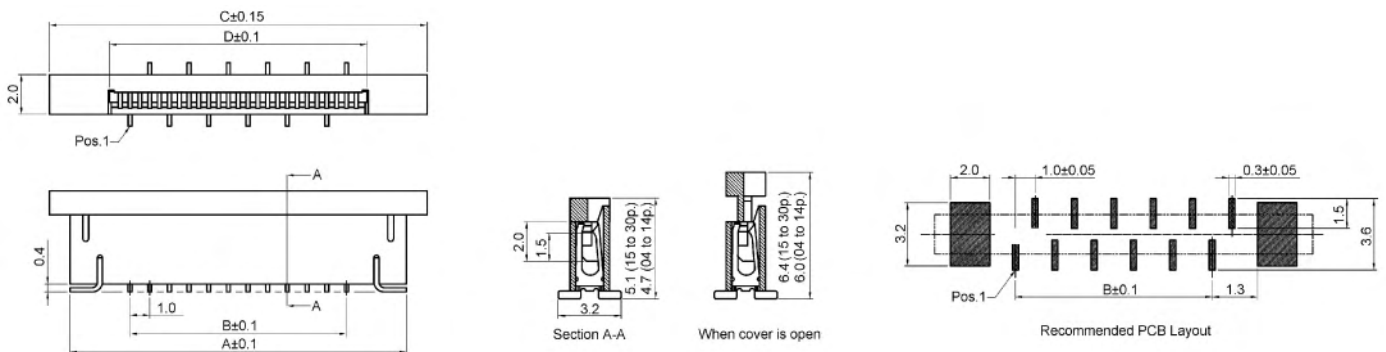
### MATERIAL

Insulator Nylon 46  
 Actuator PPA (UL 94 V-0)  
 Contact Phosphor bronze  
 Plating Tin plated



Poles	P/N Lower c.	P/N Upper c.	A (mm)	B (mm)	C (mm)	D (mm)	E (mm)
4	593480400-L*S	593480400-J*S	9,10	3,00	11,10	5,10	10,40
5	593480500-L*S	593480500-J*S	13,10	4,00	12,10	6,10	11,40
8	593480600-L*S	593480600-J*S	11,10	5,00	13,10	7,10	12,40
---	---	---	---	---	---	---	---
---	---	---	---	---	---	---	---
---	---	---	---	---	---	---	---
28	593482800-L*S	593482800-J*S	33,10	27,00	35,10	29,10	34,40
28	593482900-L*S	593482900-J*S	34,10	28,00	36,10	30,10	35,40
30	593483000-L*S	593483000-J*S	35,10	29,00	37,10	31,10	36,40

\*=2 (Tube pack.); \*=3 (Tape&reel pack.)



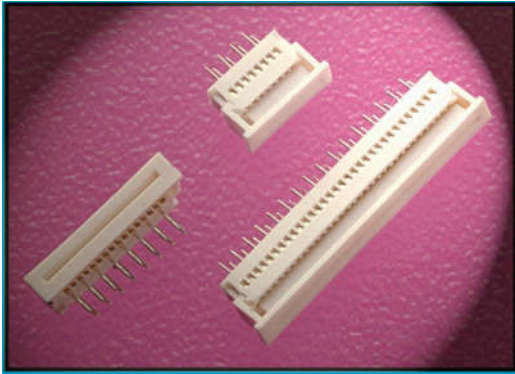
Poles	P/N Vertical	A (mm)	B (mm)	C (mm)	D (mm)
4	593480400-V*S	9,10	3,00	11,10	5,10
5	593480500-V*S	10,10	4,00	12,10	6,10
8	593480600-V*S	11,10	5,00	13,10	7,10
---	---	---	---	---	---
---	---	---	---	---	---
---	---	---	---	---	---
28	593482800-V*S	33,10	27,00	35,10	29,10
29	593482900-V*S	34,10	28,00	36,10	30,10
30	593483000-V*S	35,10	29,00	37,10	31,10

\*=2 (Tube pack.); \*=3 (Tape&reel pack.)

# RIBBON & FLAT WIRE CABLES AND CONNECTORS

FPC/FFC connectors - ZIF conn. p.1,25 mm THT 90°

B



## SPECIFICATIONS

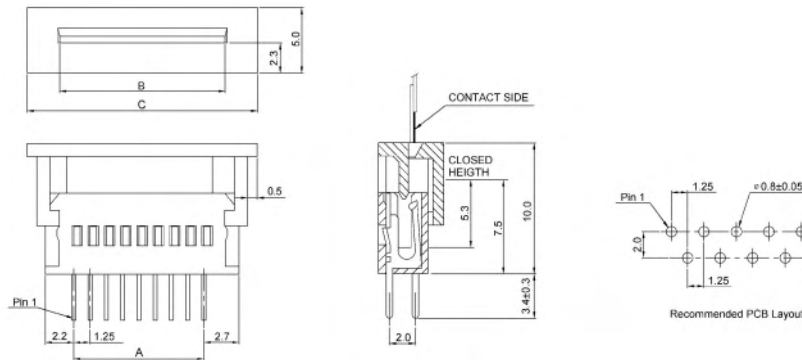
Voltage Rating: 100 V  
 Current Rating: 1 A  
 Contact Resistance: 20 mΩ max.  
 Insulation Resistance: 500 MΩ min.  
 Temperature Range: -40°C ~ +105°C

## FEATURES

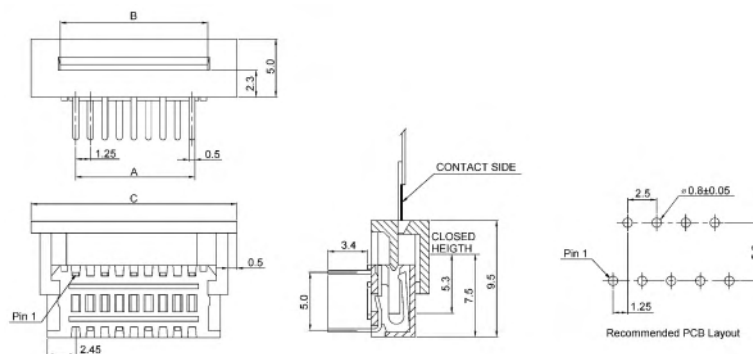
Size 3 to 40 poles  
 Suitable for 1,57mm thick PCB  
 Accept FFC/FPC tck 0,3 mm  
 Packaging Tube

## MATERIAL

Insulator: PBT, UL 94 V-0  
 Contact: Phosphor bronze  
 Plating: Tin plated



Poles	Part. No.	A (mm)	B (mm)	C (mm)
3	503480320	2,50	5,30	9,45
4	503480420	3,75	6,55	10,70
5	503480520	5,00	7,80	11,95
---	---	---	---	---
---	---	---	---	---
---	---	---	---	---
38	503483820	46,25	49,05	53,20
39	503483920	47,50	50,30	54,45
40	503484020	48,75	51,55	55,70



Poles	Part. No.	A (mm)	B (mm)	C (mm)
3	503480390	2,50	5,30	9,45
4	503480490	3,75	6,55	10,70
5	503480590	5,00	7,80	11,95
---	---	---	---	---
---	---	---	---	---
---	---	---	---	---
38	503483890	46,25	49,05	53,20
39	503483990	47,50	50,30	54,45
40	503484090	48,75	51,55	55,70



### SPECIFICATIONS

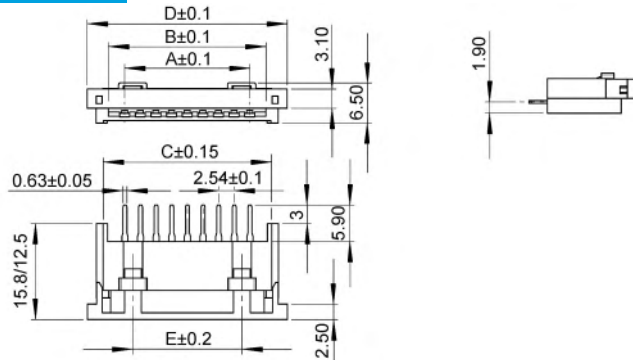
Voltage Rating: 200V AC,DC  
 Current Rating: 3A  
 Withstanding Voltage: 500V AC/minute  
 Insulation Resistance: 5000 MΩ min.  
 Temperature Range: -55°C ~ +85°C  
 Contact Resistance: 20 mΩ max.

### MATERIALS

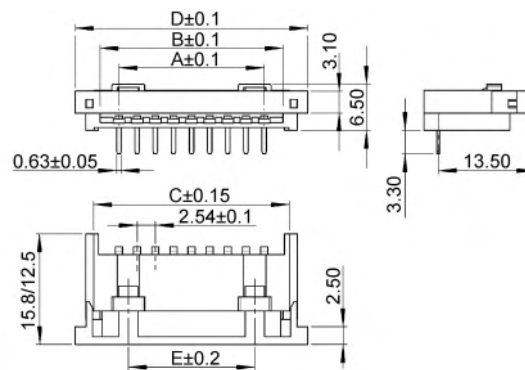
Insulator: G.F. PBT, UL94V-0  
 Sliding lock: Noryl, UL 94V-1  
 Contact: Phosphor bronze  
 Finish: Tin over Nickel

### FEATURES

Size 5 to 22 poles  
 Accept FFC/FPC tck 0.075~0.25 mm  
 Packaging box



Poles	Part. No	A (mm)	B (mm)	C (mm)	D (mm)	E (mm)
5	513480520-2	10,16	15,44	17,34	22,24	7,62
6	513480620-2	12,70	17,98	19,88	24,78	10,16
7	513480720-2	15,24	20,52	22,42	27,32	12,70
8	513480820-2	17,78	23,06	24,96	29,86	15,24
9	513480920-2	20,32	25,60	27,50	32,40	17,78
10	513481020-2	22,86	28,14	30,04	34,94	20,32
11	513481120-2	25,40	30,68	32,58	37,48	22,86
12	513481220-2	27,94	33,22	35,12	40,02	25,40
13	513481320-2	30,48	35,76	37,66	42,56	27,94
14	513481420-2	33,02	38,30	40,20	45,10	30,48



Poles	Part. No.	A (mm)	B (mm)	C (mm)	D (mm)	E (mm)
5	513480590-2	10,16	15,44	17,34	22,24	7,62
6	513480690-2	12,70	17,98	19,88	24,78	10,16
7	513480790-2	15,24	20,52	22,42	27,32	12,70
8	513480890-2	17,78	23,06	24,96	29,86	15,24
9	513480990-2	20,32	25,60	27,50	32,40	17,78
10	513481090-2	22,86	28,14	30,04	34,94	20,32
11	513481190-2	25,40	30,68	32,58	37,48	22,86
12	513481290-2	27,94	33,22	35,12	40,02	25,40
13	513481390-2	30,48	35,76	37,66	42,56	27,94
14	513481490-2	33,02	38,30	40,20	45,10	30,48