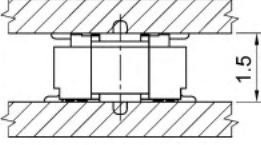
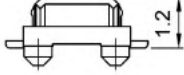

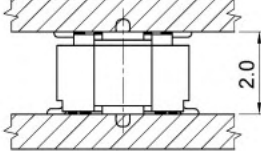
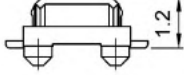

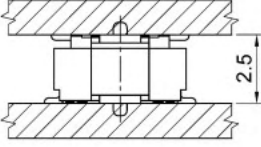
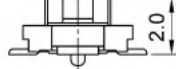

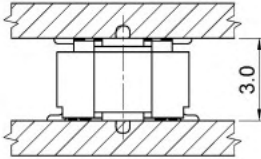
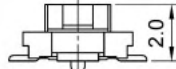

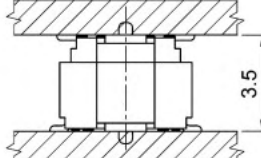

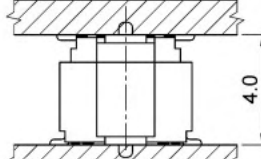
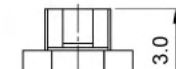

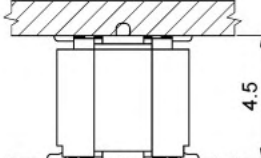
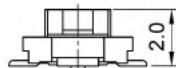

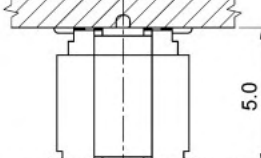
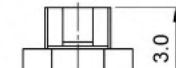
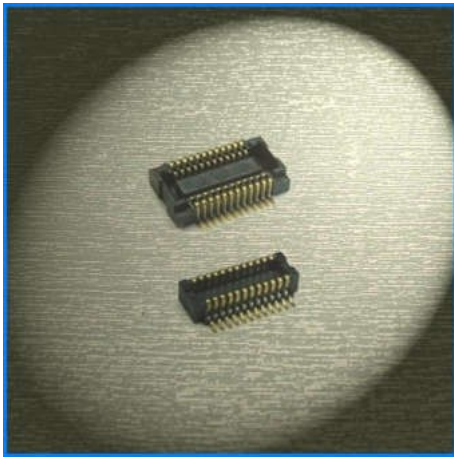


MATING HEIGHT	PLUG	RECEPTACLE
	Circuits: 10~80 pin 	 Part.No.: 11022pp11R00P
	Part.No.: 11012pp11K00P 	 Part.No.: 11022pp11R01P
	Circuits: 10~80 pin 	 Part.No.: 11042pp11R00P
	Circuits: 10~80 pin 	 Part.No.: 11042pp11R01P
	Circuits: 10~60 pin 	
	Circuits: 10~60 pin 	 Part.No.: 11042pp11R02P
	Circuits: 10~80 pin 	 Part.No.: 11042pp11R03P
	Circuits: 10~60 pin 	

BOARD TO BOARD CONNECTORS

Stacking connectors - p.0,5 mm plug&receptacle

A



SPECIFICATIONS

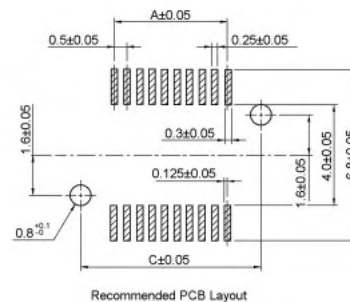
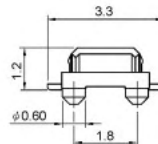
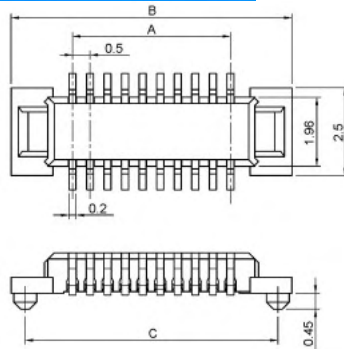
Voltage Rating: 50V AC, DC
 Current Rating: 0,5A
 Withstanding Voltage: 150 V AC/minute
 Insulation Resistance: 1000 MΩ min.
 Contact Resistance: 50 mΩ max.
 Temperature Range: -40°C ~ +85°C

FEATURES

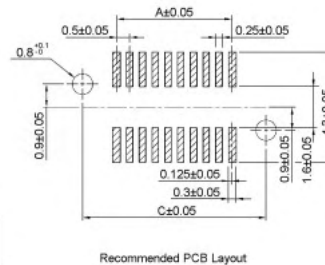
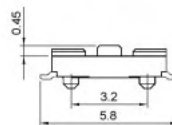
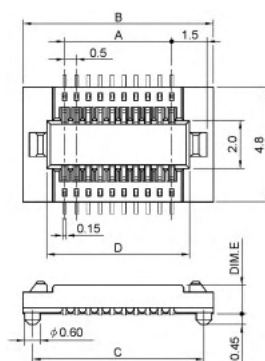
Size 10 to 80 poles
 Stacking height 1,5 and 2,0 mm
 Metal solder tabs improve PCB retention
 Polarization peg for correct PCB alignment
 Packaging Tube or Tape & reel
 Vacuum pick&place cap/film optional

MATERIALS

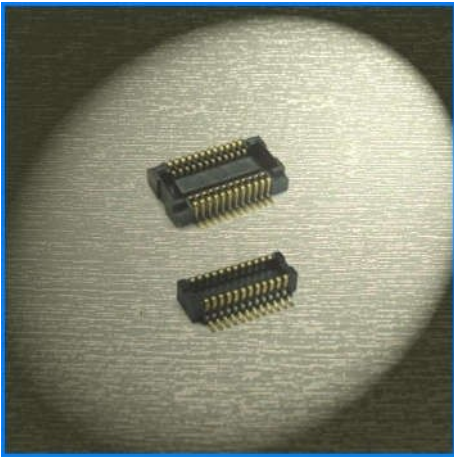
Insulator: H.Temp. plastic, UL94V-0
 Contact: Copper alloy
 Plating: Gold over Nickel



Poles	Part. No.	A (mm)	B (mm)	C (mm)
10	11C12051'K00	2,00	5,50	4,70
12	11C12061'K00	2,50	6,00	5,20
14	11C12071'K00	3,00	6,50	5,70
—	---	---	---	---
—	---	---	---	---
—	---	---	---	---
—	---	---	---	---
76	11C12361'K00	18,50	22,00	21,20
78	11C12391'K00	19,00	22,50	21,70
80	11C12401'K00	19,50	23,00	22,20



Poles	P/N E=1,2	P/N E=1,7	A (mm)	B (mm)	C (mm)	D (mm)
10	110220511R00P	110220511R01P	2,00	5,50	4,70	3,50
12	110220611R00P	110220611R01P	2,50	6,00	5,20	4,00
14	110220711R00P	110220711R01P	3,00	6,50	5,70	4,50
—	---	---	---	---	---	---
—	---	---	---	---	---	---
—	---	---	---	---	---	---
—	---	---	---	---	---	---
76	110223811R00P	110223811R01P	18,50	22,00	21,20	20,00
78	110223911R00P	110223911R01P	19,00	22,50	21,70	20,50
80	110224011R00P	110224011R01P	19,50	23,00	22,20	21,00



SPECIFICATIONS

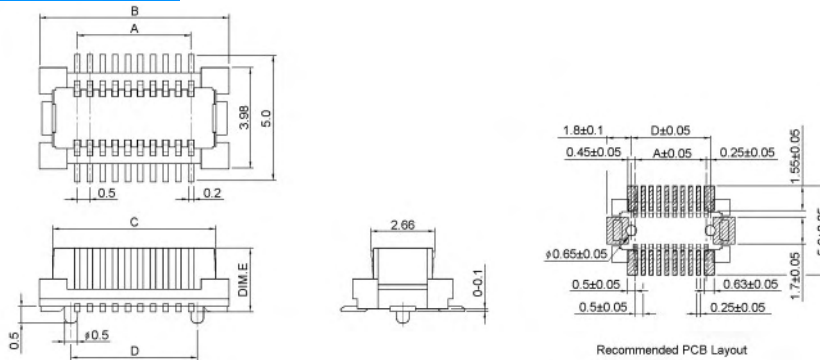
Voltage Rating: 50V AC, DC
 Current Rating: 0,5A
 Withstanding Voltage: 150 V AC/minute
 Insulation Resistance: 1000 MΩ min.
 Contact Resistance: 50 mΩ max.
 Temperature Range: -40°C ~ +85°C

FEATURES

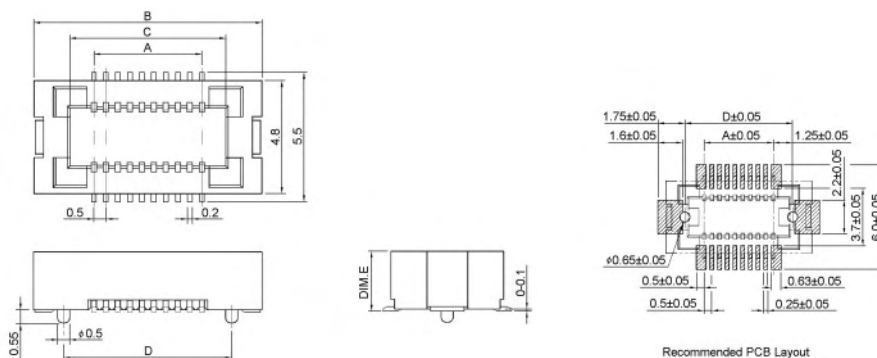
Size 10 to 80 poles
 Stacking height form 2,5 to 5,0 mm
 Metal solder tabs improve PCB retention
 Polarization peg for correct PCB alignment
 Packaging Tube or Tape & reel
 Vacuum pick&place cap/film optional

MATERIALS

Insulator: H.Temp. plastic, UL94V-0
 Contact: Copper alloy
 Plating: Gold over Nickel



Poles	P/N E=2.0	P/N E=3.0	A (mm)	B (mm)	C (mm)	D(mm)
10	110320511K00P	1103205'1K01P	2,00	5,00	4,00	2,50
12	110320611K00P	1103206'1K01P	2,50	5,50	4,50	3,00
14	110320711K00P	1103207'1K01P	3,00	6,00	5,00	3,50
---	---	---	---	---	---	---
---	---	---	---	---	---	---
---	---	---	---	---	---	---
76	110323811K00P	1103238'1K01P	19,50	21,50	20,50	19,00
78	110323911K00P	1103239'1K01P	19,00	22,00	21,00	19,50
80	110324011K00P	1103240'1K01P	19,50	22,50	21,50	20,00

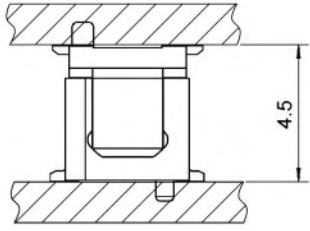
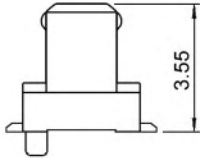
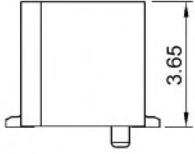
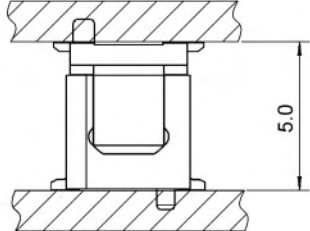
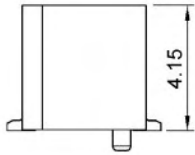
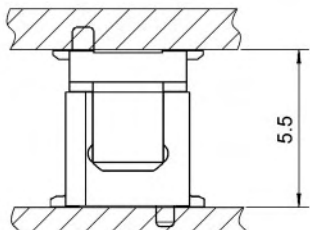
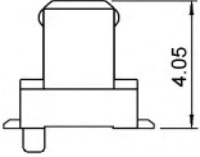
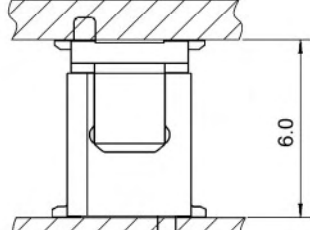
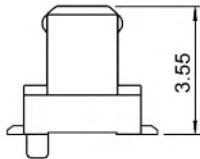
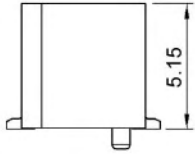
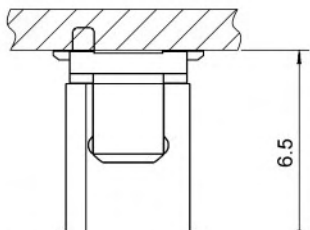
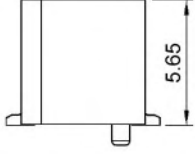
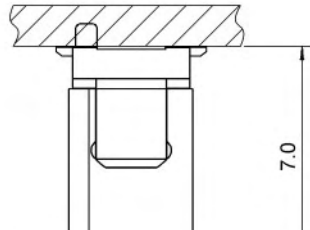
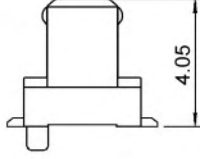


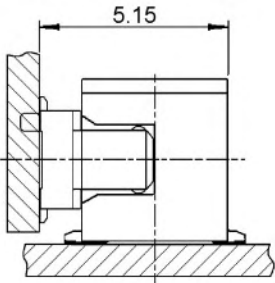
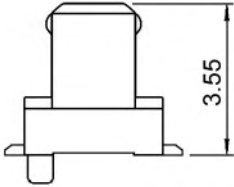
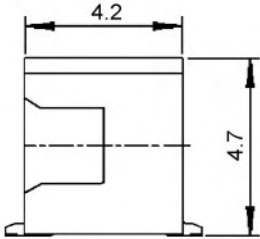
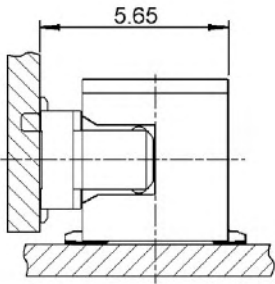
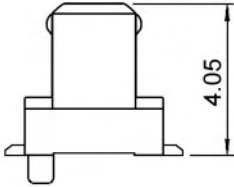
Poles	Part. No.	A (mm)	B (mm)	C (mm)	D (mm)	Dim.E (mm)	code (xx)
10	110420511RxxP	2,00	7,00	4,00	4,50	2,00	00
12	110420611RxxP	2,50	7,50	4,50	5,00	2,50	01
14	110420711RxxP	3,00	8,00	5,00	5,50	3,00	02
---	---	---	---	---	---	4,00	03
---	---	---	---	---	---	---	---
---	---	---	---	---	---	---	---
76	110423811RxxP	18,50	23,50	20,50	21,00	---	---
78	110423911RxxP	19,00	24,00	21,00	21,50	---	---
80	110424011RxxP	19,50	24,50	21,50	22,00	---	---

BOARD TO BOARD CONNECTORS

Stacking connectors - p.0,8 mm plug&receptacle

A

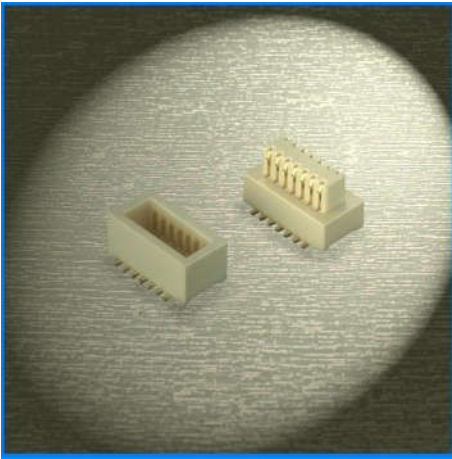
MATING HEIGHT	PLUG	RECEPTACLE
 <p>4.5</p>	 <p>3.55</p>	 <p>3.65</p> <p>Part. No.: 11062pp11R00P</p>
 <p>5.0</p>	<p>Part.No.: 11052pp11R00P</p>	 <p>4.15</p>
 <p>5.5</p>	 <p>4.05</p> <p>Part.No.: 11052pp11R01P</p>	<p>Part. No.: 11062pp11R01P</p>
 <p>6.0</p>	 <p>3.55</p>	 <p>5.15</p> <p>Part. No.: 11062pp11R02P</p>
 <p>6.5</p>	<p>Part.No.: 11052pp11R00P</p>	 <p>5.65</p>
 <p>7.0</p>	 <p>4.05</p> <p>Part.No.: 11052pp11R01P</p>	<p>Part. No.: 11062pp11R03P</p>

MATING HEIGHT	PLUG	RECEPTACLE
	 <p>Part.No.: <u>11052pp11R00P</u></p>	
	 <p>Part.No.: <u>11052pp11R01P</u></p>	<p>Part.No.: <u>11072ppR00P</u></p>

BOARD TO BOARD CONNECTORS

Stacking connectors - p.0,8 mm plug

A



SPECIFICATIONS

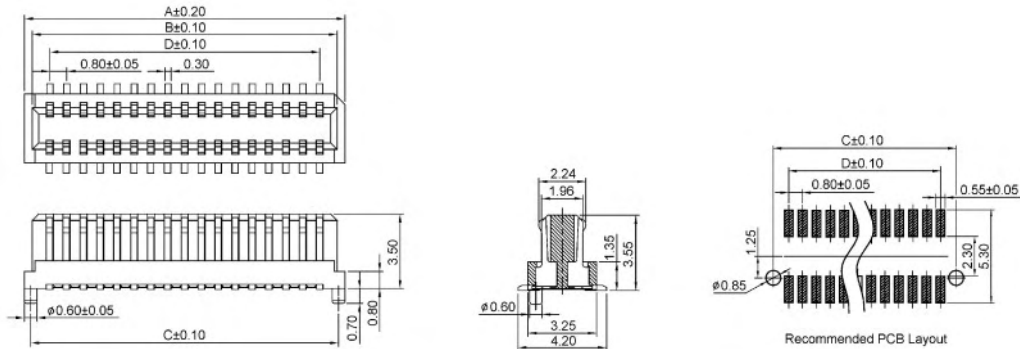
Voltage Rating: 50V AC, DC
 Current Rating: 0,5A
 Withstanding Voltage: 150 V AC/minute
 Insulation Resistance: 1000 MΩ min.
 Contact Resistance: 50 mΩ max.
 Temperature Range: -40°C ~ +85°C

FEATURES

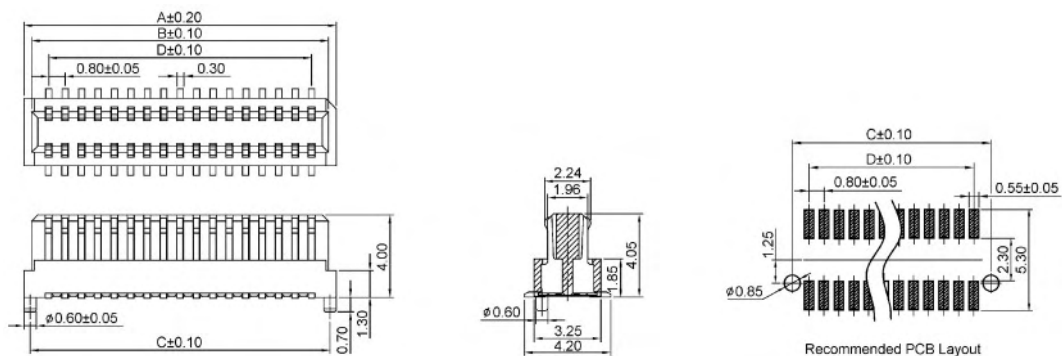
Size 10 to 100 poles
 Stacking height 4,5 to 7,0 mm
 Polarization peg for easy PCB alignment
 Packaging Tube or Tape & reel
 Vacuum pick&place cap/film optional

MATERIALS

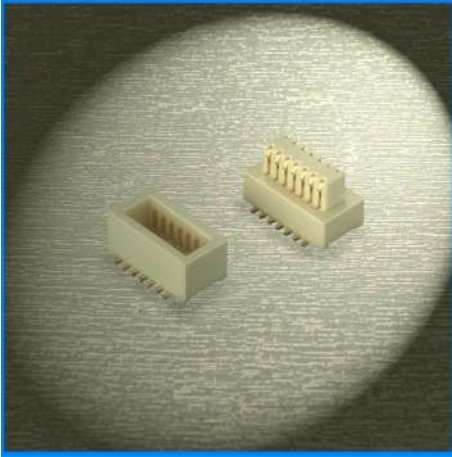
Insulator: H.Temp. plastic, UL94V-0
 Contact: Copper alloy
 Plating: Gold over Nickel



Poles	P/N E=3,55	A (mm)	B (mm)	C (mm)	D (mm)
10	110520511R00P	5,80	4,90	5,00	3,20
12	110526511R00P	6,60	5,70	5,80	4,00
14	110520711R00P	7,40	6,50	6,60	4,80
---	---	---	---	---	---
---	---	---	---	---	---
---	---	---	---	---	---
80	110524011R00P	33,80	32,90	33,00	31,20
90	110524511R00P	37,80	36,90	37,00	35,20
100	110525011R00P	41,80	43,90	41,00	39,20



Poles	Part. No.	A (mm)	B (mm)	C (mm)	D (mm)
10	110520511R01P	5,80	4,90	5,00	3,20
12	110520611R01P	6,60	6,50	6,60	4,00
14	110520711R01P	4,70	7,30	7,40	4,80
---	---	---	---	---	---
---	---	---	---	---	---
---	---	---	---	---	---
80	110524011R01P	33,80	32,90	33,00	31,20
90	110524511R01P	37,80	36,90	37,00	35,20
100	110525011R01P	41,80	43,90	41,00	39,20



SPECIFICATIONS

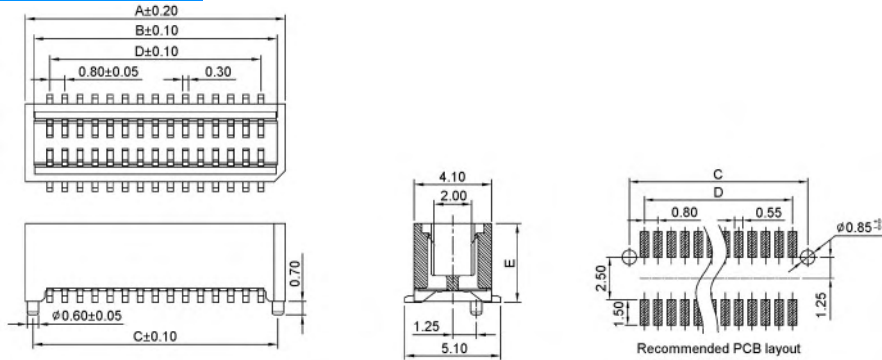
Voltage Rating: 50V AC, DC
 Current Rating: 0,5A
 Withstanding Voltage: 150 V AC/minute
 Insulation Resistance: 1000 MΩ min.
 Contact Resistance: 50 mΩ max.
 Temperature Range: -40°C ~ +85°C

FEATURES

Size 10 to 100 poles
 Stacking height 4,5 to 7,0 mm
 Polarization peg for easy PCB alignment
 Packaging Tube or Tape & reel
 Vacuum pick&place cap/film optional

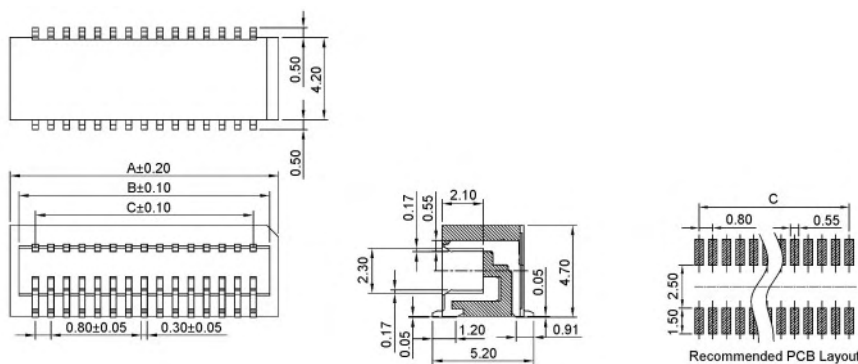
MATERIALS

Insulator: H.Temp. plastic, UL94V-0
 Contact: Copper alloy
 Plating: Gold over Nickel



Poles	Part. No.	A (mm)	B (mm)	C (mm)	D (mm)	Dim.E (mm)	code (xx)
10	110620511RxxP	5,80	4,90	5,00	3,20	3,85	00
12	110620611RxxP	6,60	5,70	5,80	4,00	4,15	01
14	110620711RxxP	7,40	6,50	6,60	4,80	5,15	02
---	---	---	---	---	---	5,85	03
---	---	---	---	---	---	---	---
---	---	---	---	---	---	---	---
80	110624011RxxP	33,80	32,90	33,00	31,20	---	---
90	110624511RxxP	37,80	36,90	37,00	35,20	---	---
100	110625011RxxP	41,80	43,90	41,00	39,20	---	---

xx: Select Dim.E code.

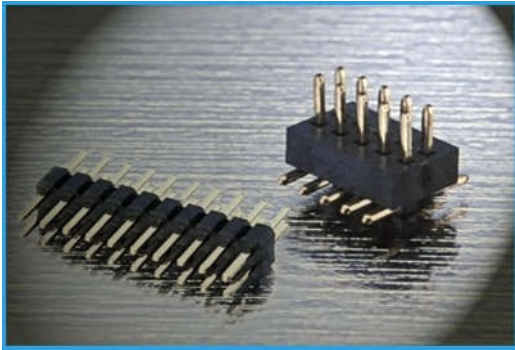


Poles	Part. No.	A (mm)	B (mm)	C (mm)
10	110720511R00P	5,80	4,90	3,20
12	110720611R00P	6,60	5,70	4,00
14	110720711R00P	7,40	6,50	4,80
---	---	---	---	---
---	---	---	---	---
---	---	---	---	---
80	110724011R00P	33,80	32,90	31,20
90	110724511R00P	37,80	36,90	35,20
100	110725011R00P	41,80	40,90	38,20

BOARD TO BOARD CONNECTORS

Pin strip p.1,0 mm - double row THT/SMT 180°

A



SPECIFICATIONS

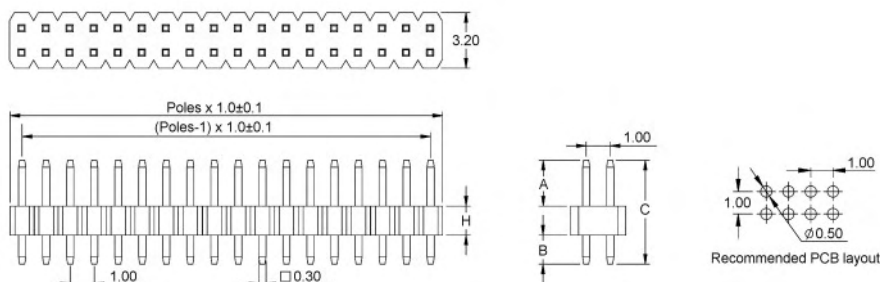
Voltage Rating: 100V AC,DC
 Current Rating: 1A
 Withstanding Voltage: 500V AC/minute
 Insulation Resistance: 1000 MΩ min.
 Temperature Range: -40°C ~ +105°C
 Contact Resistance: 20 mΩ max.

MATERIAL

Insulator: Nylon 6T, UL94V-0
 Contact: Copper alloy
 Plating: Gold over Nickel

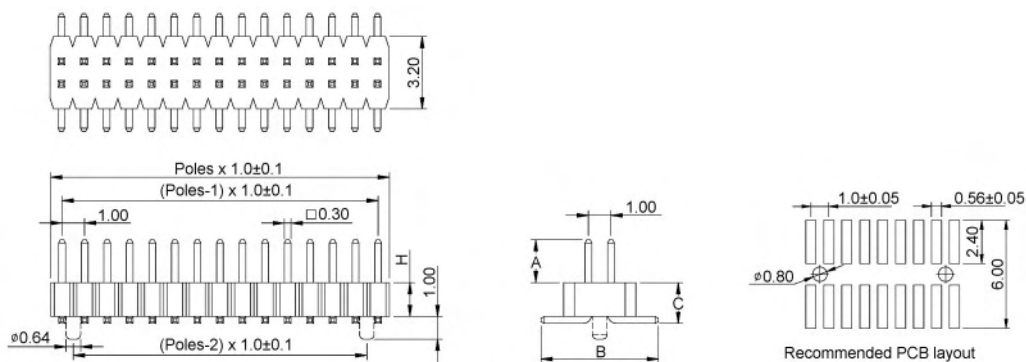
FEATURES

Sizes 2 to 100 double row
 Packaging Tube or Tape&reel (optional)
 Vacuum pick&place cap optional



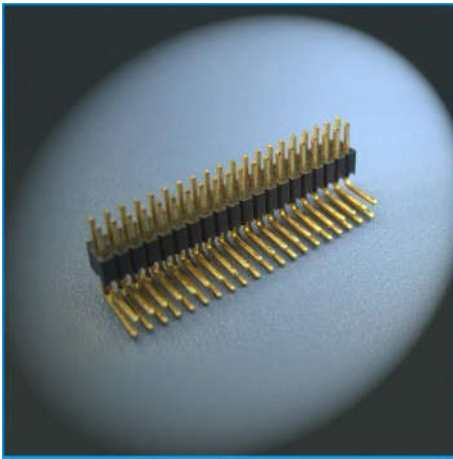
Poles	P/N Gold pl.	P/N Tin pl.	A (mm)	B (mm)	C (mm)	H (mm)
50+50	5969250231041	596925020041	1.90	1.20	4.10	1.00
50+50	5969250231046	596925020046	1.90	1.20	4.60	1.50

For other pin length, please contact us.



Poles	P/N Gold pl.	P/N Tin pl.	A (mm)	B (mm)	C (mm)	H (mm)
50+50	5969250031037*	596925000037*	1.90	5.20	1.20	1.50
50+50	5969250031032*	596925000032*	1.90	5.20	1.30	1.00

For other pin length, please contact us. - * For plastic peg option, add P to the p/n



SPECIFICATIONS

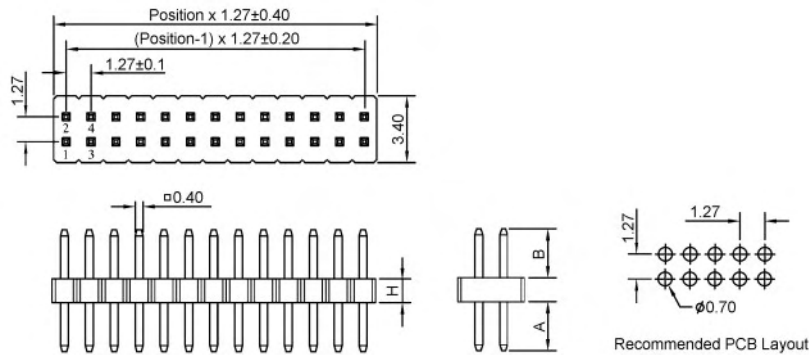
Voltage Rating: 100V AC,DC
 Current Rating: 1A
 Withstanding Voltage: 500V AC/minute
 Insulation Resistance: 1000 MΩ min.
 Temperature Range: -40°C ~ +105°C
 Contact Resistance: 20 mΩ max.

FEATURES

Sizes 4 to 100 double row
 Suitable for 1,57mm thick PCB
 Hand brackable
 Stackable end-to-end
 Packaging bag

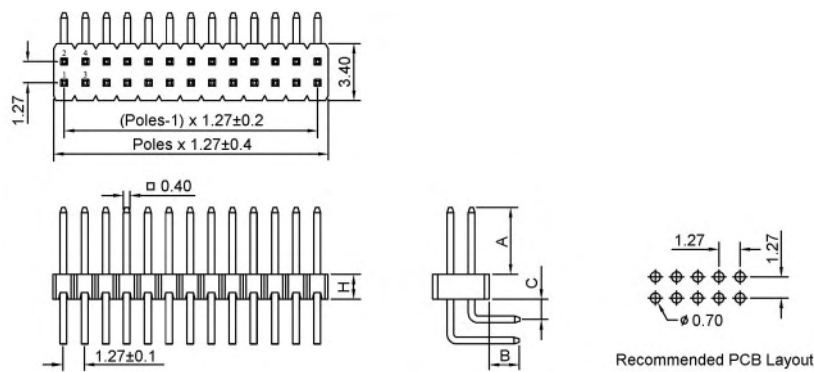
MATERIAL

Insulator: Nylon 6T, UL94V-0
 Contact: Copper alloy
 Plating: Gold or Tin over Nickel



Poles	P/N gold pl.	P/N Tin pl.	A (mm)	B (mm)	H (mm)
50+50	5069250231069-0	506925020069-0	2,30	4,00	0,65
50+50	5069250231071-0	506925020071-0	2,30	4,00	0,85
50+50	5069250231073-0	506925020073-0	2,30	4,00	1,00
50+50	5069250231075-0	506925020075-0	2,30	4,00	1,20
50+50	5069250231078-0	506925020078-0	2,30	4,00	1,50

For other pin leght, please contact us.



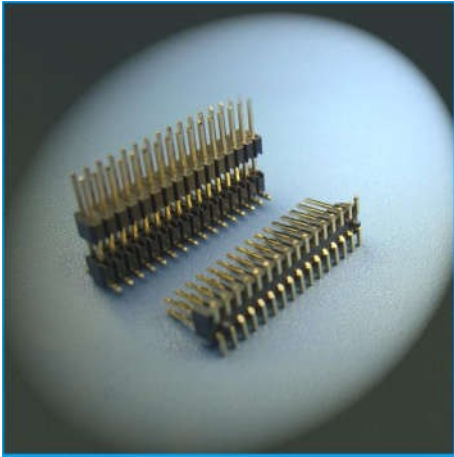
Poles	P/N gold pl.	P/N Tin pl.	A (mm)	B (mm)	C (mm)	H (mm)
50+50	5069240931061-0	506925090061-0	4,00	2,30	2,10	1,60
50+50	5069250931065-0	506925090065-0	4,00	2,30	2,50	2,00
50+50	5069250931070-0	506925090070-0	4,00	2,30	3,00	2,50

For other pin leght, please contact us.

BOARD TO BOARD CONNECTORS

Pin strip p.1,27x1,27 mm - double row SMT 180°

A



SPECIFICATIONS

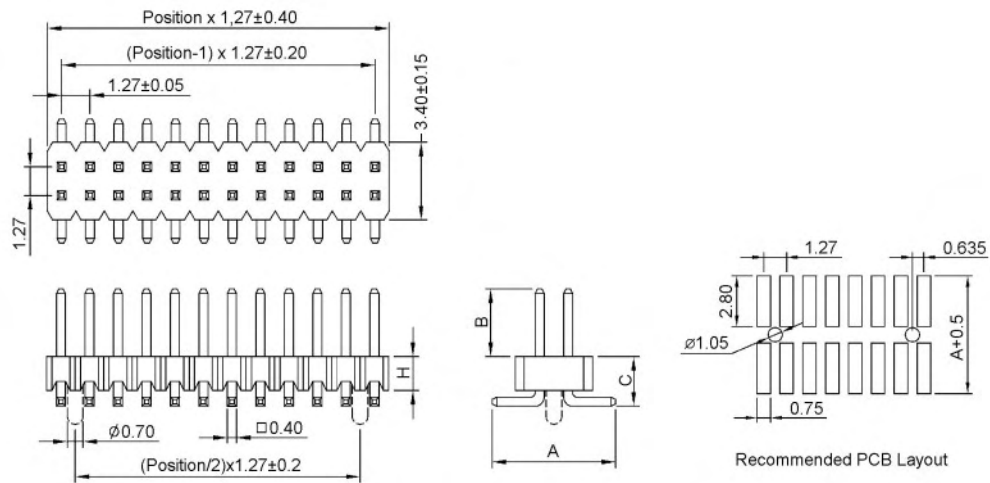
Voltage Rating: 100V AC,DC
 Current Rating: 1A
 Withstanding Voltage: 500V AC/minute
 Insulation Resistance: 1000 MΩ min.
 Temperature Range: -40°C ~ +105°C
 Contact Resistance: 20 mΩ max.

FEATURES

Sizes 4 to 100 double row
 Hand brackable
 Stackable end-to-end
 Packaging bag or tube
 (Tape&reel option available)
 Vacuum pick&place cap optional

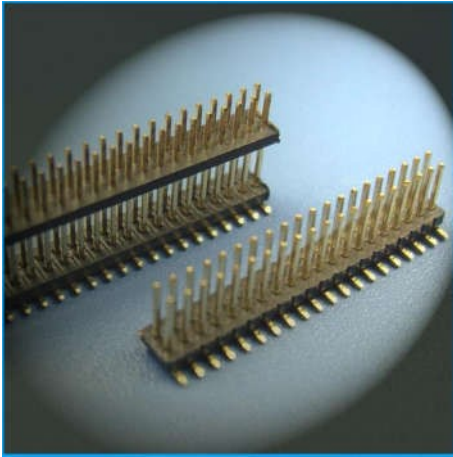
MATERIAL

Insulator: Nylon 6T, UL94V-0
 Contact: Copper alloy
 Plating: Gold or Tin over Nickel



Poles	P/N Gold pl.	P/N Tin pl.	A (mm)	B (mm)	C (mm)	H (mm)
50+50	50689250031051-0*	5068925000051-0*	5,50	4,00	1,10	0,85
50+50	50689250031053-0*	5068925000053-0*	5,50	4,00	1,30	0,85
50+50	50689250031055-0*	5068925000055-0*	5,50	4,00	1,50	1,00
50+50	50689250031057-0*	5068925000057-0*	5,50	4,00	1,70	1,20
50+50	50689250031060-0*	5068925000060-0*	5,50	4,00	2,00	1,50

*= For plastic peg option, add. P to the Part No. - For other pin length, please contact us.



SPECIFICATIONS

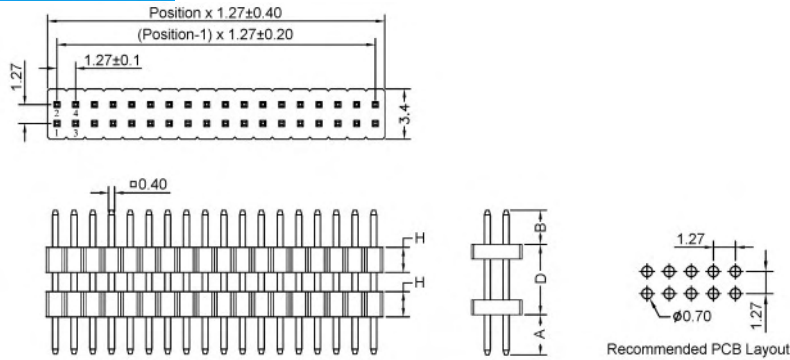
Voltage Rating: 100V AC,DC
 Current Rating: 1A AC/DC
 Withstanding Voltage: 500V AC/minute
 Insulation Resistance: 1000 MΩ min.
 Temperature Range: -40°C ~ +105°C
 Contact Resistance: 20 mΩ max.

MATERIAL

Insulator: Nylon 6T, UL 94V-0
 Contact: Copper alloy
 Finish: Gold or Tin over Nickel

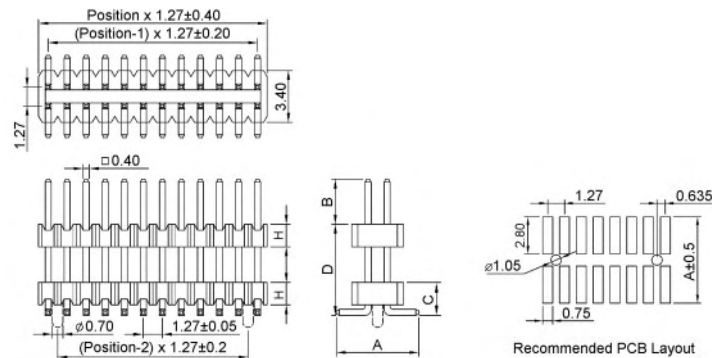
FEATURES

Sizes 4 to 100 double row
 Suitable for 1,57mm thick PCB
 Hand brackable
 Stackable end-to-end
 Packaging bag
 Tube or tape&reel available
 Vacuum pick&place cap optional



Poles	P/N gold pl.	P/N Tin pl.	A (mm)	B (mm)	D (mm)	Code	H (mm)
50+50	5069250231xxxD-0*	506925020xxxD-0*	2,30	4,00	upon request	1	0,65
						2	0,85
						3	1,00
						4	1,20
						5	1,50

xxx: Fill with the total height A+B+D (mm) es. for 5,0 mm fill 050. *=Select code for plastic hegh.



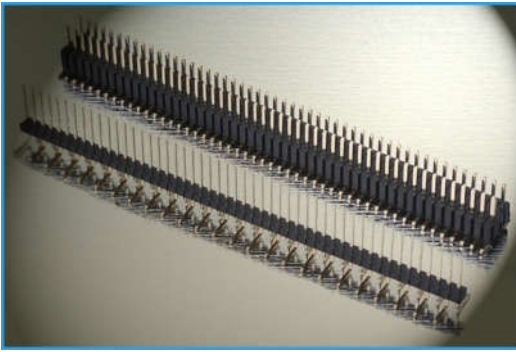
Poles	P/N Gold pl.	P/N Tin pl.	A (mm)	B (mm)	C (mm)	D (mm)	Code	H (mm)
50+50	5069250031xxxD-0*	506925000xxxD-0*	5,50	3,00	H+0,5	upon request	1	0,65
							2	0,85
							3	1,00
							4	1,20
							5	1,50

xxx: Fill with the total height A+B+D (mm) es. for 5,0 mm fill 050. *=Select code for plastic hegh.

BOARD TO BOARD CONNECTORS

Pin strip p.1,27x2,54 mm - single/double row SMT 180°

A



SPECIFICATIONS

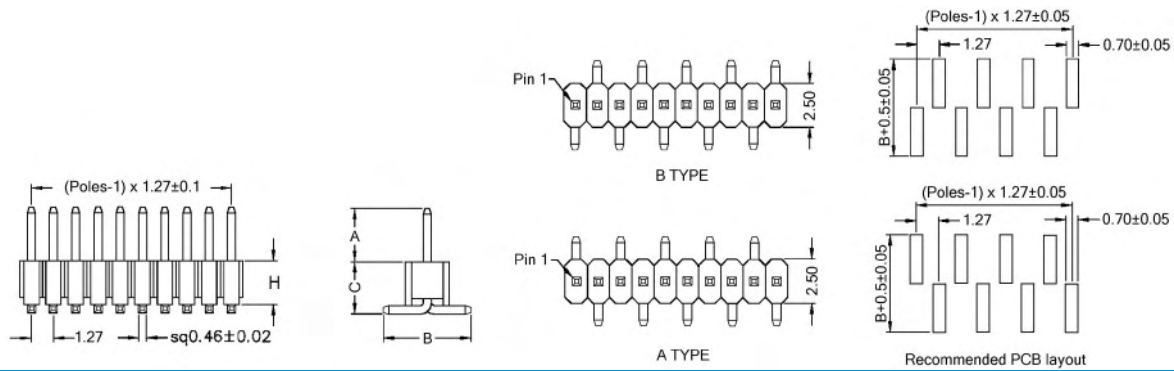
Voltage Rating: 100V AC,DC
 Current Rating: 1A
 Withstanding Voltage: 500V AC/minute
 Insulation Resistance: 1000 MΩ min.
 Temperature Range: -40°C ~ +105°C
 Contact Resistance: 20 mΩ max.

FEATURES

Sizes 1 to 50 single row
 2 to 100 double row
 Hand backable
 Stackable end-to-end
 Packaging tube (Tape&reel opt, available)
 Vacuum pick&place cap optional

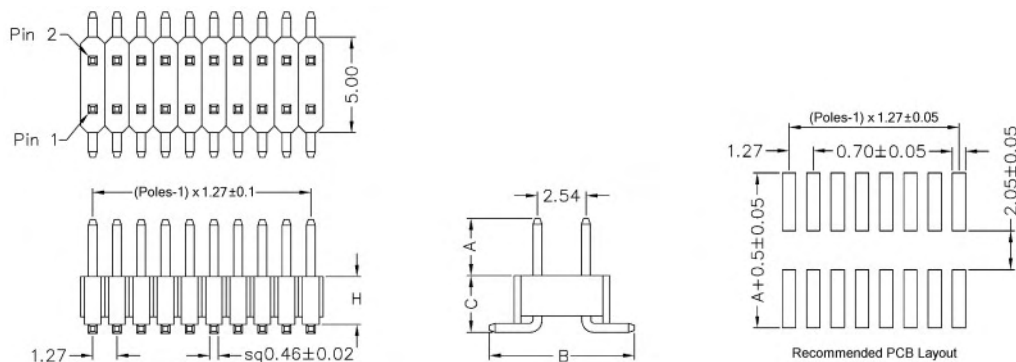
MATERIAL

Insulator: Nylon 6T, UL94V-0
 Contact: Copper alloy
 Plating: Gold or Tin over Nickel



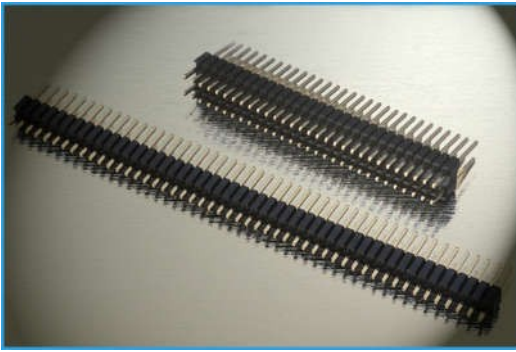
Poles	P/N Gold pl.	P/N Tin pl.	Type	A (mm)	B (mm)	C (mm)	H (mm)
50	5069150030062A	50691500062A	A	4,00	5,00	2,20	1,70
50	5069150030070A	50691500070A	A	4,00	5,00	3,00	2,50
50	5069150030062B	50691500062B	B	4,00	5,00	2,20	1,70
50	5069150030070B	50691500070B	B	4,00	5,00	3,00	2,50

For other pin length, please contact us.



Poles	P/N gold pl.	P/N Tin pl.	A (mm)	B (mm)	C (mm)	H (mm)
50+50	5069250030062	50692500062	4,00	7,20	2,20	1,70
50+50	5069250030065	50692500065	4,00	7,20	2,50	2,00
50+50	5069250030070	50692500070	4,00	7,20	3,00	2,50

For other pin length, please contact us.



SPECIFICATIONS

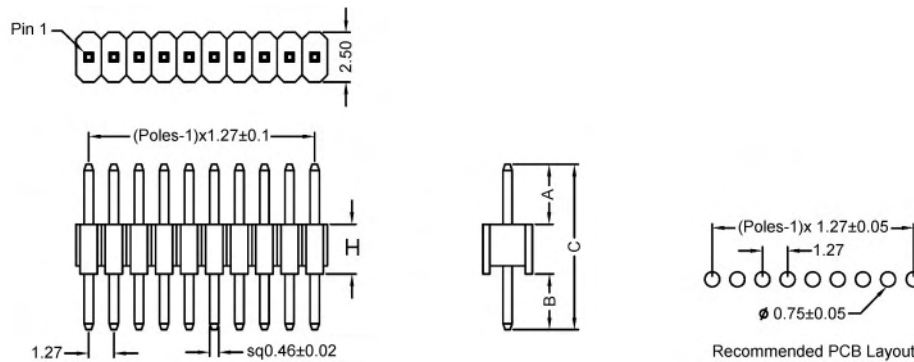
Voltage Rating: 100V AC,DC
 Current Rating: 1A
 Withstanding Voltage: 500V AC/minute
 Insulation Resistance: 1000 MΩ min.
 Temperature Range: -40°C ~ +105°C
 Contact Resistance: 20 mΩ max.

FEATURES

Sizes 1 to 50 single row;
 2 to 100 double row.
 Suitable for 1.57mm thick PCB
 Hand brackable
 Stackable side-to-side and end-to-end
 Packaging bag

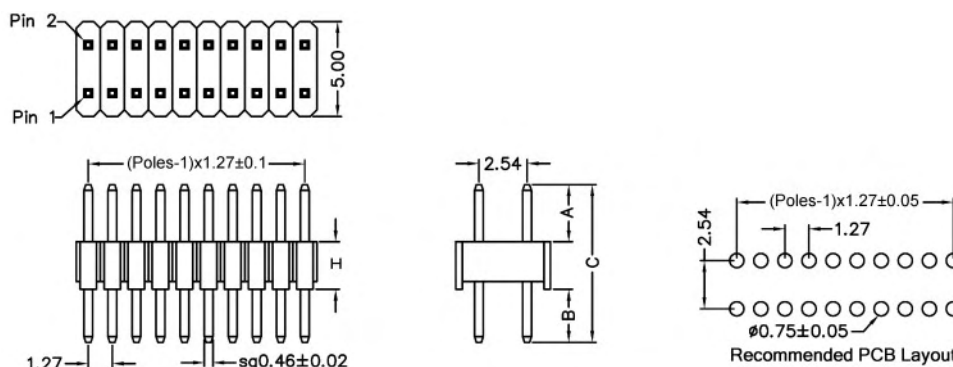
MATERIAL

Insulator: Nylon 6T, UL94V-0
 Contact: Copper alloy
 Plating: Gold or Tin over Nickel



Poles	P/N gold pl.	P/N Tin pl.	A (mm)	B (mm)	C (mm)	H (mm)
50	5069150231071	506915020071	2,80	2,80	7,10	1,70
50	5069150231080	506915020080	2,70	2,80	8,00	2,50
50	5069150231084	506915020084	3,10	2,80	8,40	2,50

For other pin length, please contact us.



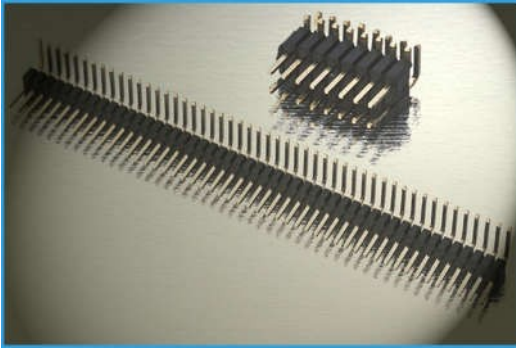
Poles	P/N gold pl.	P/N Tin pl.	A (mm)	B (mm)	C (mm)	H (mm)
50+50	5069250231071	506925020071	2,80	2,80	7,10	1,70
50+50	5069250231080	506925020080	2,70	2,80	8,00	2,50
50+50	5069250231084	506925020084	3,10	2,80	8,40	2,50

For other pin length, please contact us.

BOARD TO BOARD CONNECTORS

Pin strip p.1,27x2,54 mm - single/double row THT 90°

A



SPECIFICATIONS

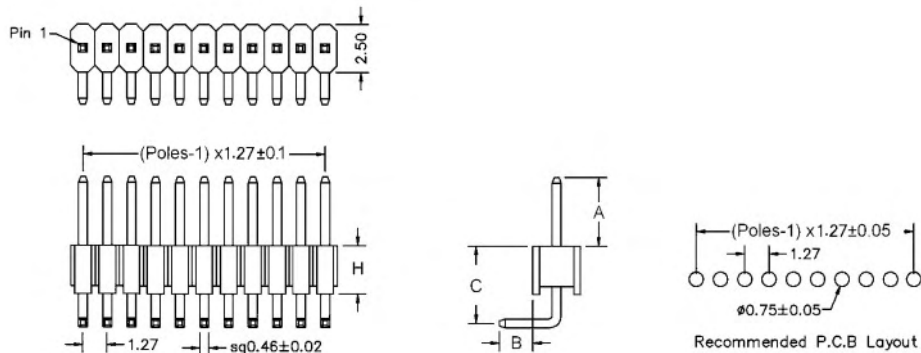
Voltage Rating: 100V AC,DC
 Current Rating: 1A
 Withstanding Voltage: 500V AC/minute
 Insulation Resistance: 1000 MΩ min.
 Temperature Range: -40°C ~ +105°C
 Contact Resistance: 20 mΩ max.

FEATURES

Sizes 1 to 50 single row
 2 to 100 double row
 Suitable for 1.57mm thick PCB
 Hand brackable
 Stackable side-to-side and end-to-end
 Packaging bag

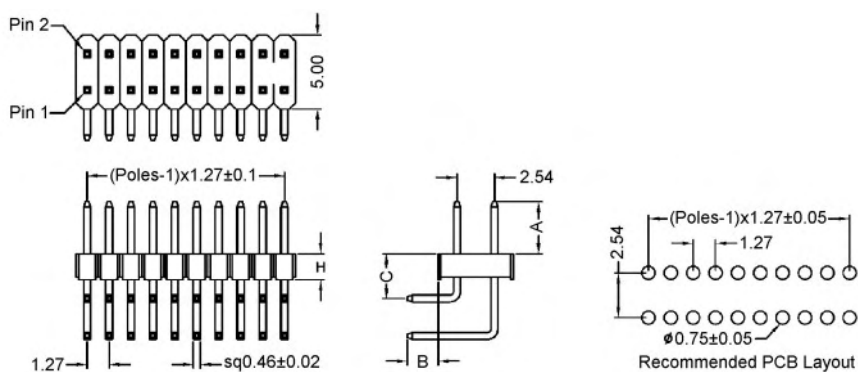
MATERIAL

Insulator: Nylon 6T, UL94V-0
 Contact: Copper alloy
 Plating: Gold or Tin over Nickel



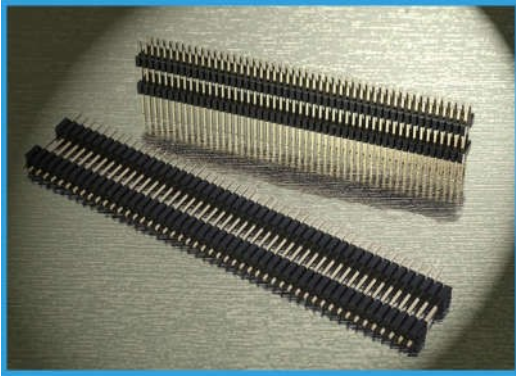
Poles	P/N gold pl.	P/N Tin pl.	A (mm)	B (mm)	C (mm)	H (mm)
50	5069150931068	506915090068	2,80	2,80	4,00	2,50
50	5069150931062	506915090062	4,00	2,80	2,20	1,70
50	5069150931065	506915090065	4,00	2,80	2,50	2,00
50	5069150931070	506915090070	4,00	2,80	3,00	2,50

For other pin length, please contact us.



Poles	P/N gold pl.	P/N Tin pl.	A (mm)	B (mm)	C (mm)	H (mm)
50+50	5069250931068	506925090068	2,80	2,80	4,00	2,50
50+50	5069250931062	506925090062	4,00	2,80	2,20	1,70
50+50	5069250931065	506925090065	4,00	2,80	2,50	2,00
50+50	5069250931070	506925090070	4,00	2,80	3,00	2,50

For other pin length, please contact us.



SPECIFICATIONS

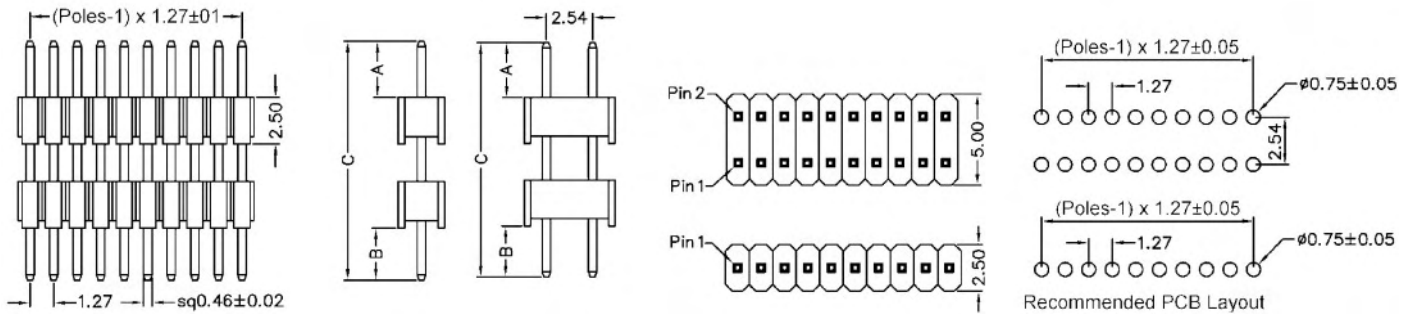
Voltage Rating: 100V AC,DC
 Current Rating: 1A AC/DC
 Withstanding Voltage: 500V AC/minute
 Insulation Resistance: 1000 MΩ min.
 Temperature Range: -40°C ~ +105°C
 Contact Resistance: 20 mΩ max.

FEATURES

Sizes 1 to 50 single row
 2 to 100 double row
 Suitable for 1.57mm thick PCB
 Hand brackable
 Stackable side-to-side and end-to-end
 Packaging bag

MATERIAL

Insulator: PBT +30% glass fiber, UL 94V-0
 Contact: Copper alloy
 Finish: Gold, Tin or Selective Gold over Nickel



Poles	P/N gold pl.	P/N Tin pl.	A (mm)	B (mm)	C (mm)
50	5069150231118D	5069150201118D	According	2,90	11,80
50	5069150231151D	5069150201151D	to customer	2,90	15,10
50+50	5069250231118D	5069250201118D	requirements	2,90	11,80
50+50	5069250231151D	5069250201151D		2,90	15,10

For other pin length, please contact us.

BOARD TO BOARD CONNECTORS

Pin strip p.2,0 mm - single/double row SMT 180°

A



SPECIFICATIONS

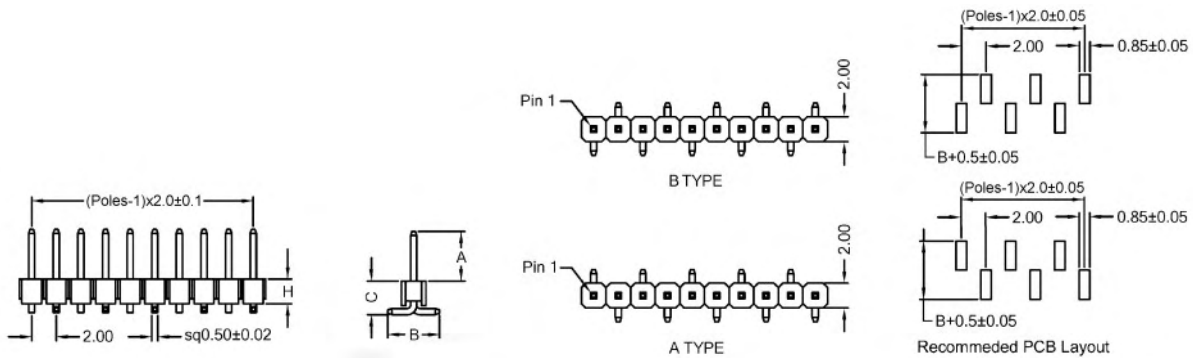
Voltage Rating: 150V AC
 Current Rating: 1,5A max.
 Withstanding Voltage: 500V AC/minute
 Insulation Resistance: 1000 MΩ min.
 Temperature Range: -40°C ~ +105°C
 Contact Resistance: 20 mΩ max.

MATERIAL

Insulator: Nylon 6T, UL94V-0
 Contact: Copper alloy
 Plating: Gold or Tin over Nickel

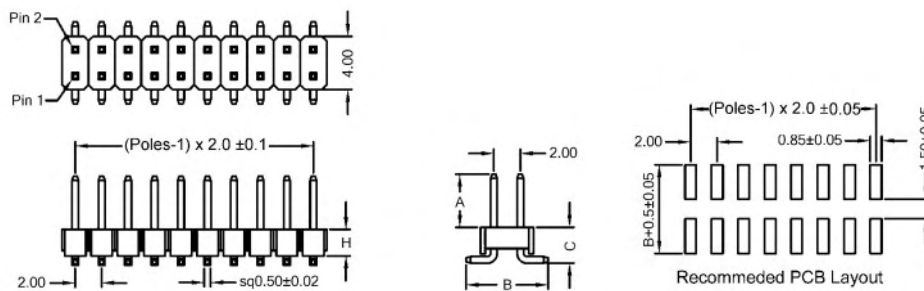
FEATURES

Sizes 1 to 40 single row
 2 to 80 double row
 Suitable for 1.57mm thick PCB
 Hand brackable
 Stackable side-to-side and end-to-end
 Packaging Tube (tape&reel option available)
 Vacuum pick&place cap optional



Poles	P/N Gold pl.	P/N Tin pl.	Type	A (mm)	B (mm)	C (mm)	H (mm)
40	5769140031062A	576914000062A	A	4.00	4.20	2.20	1.50
40	5769140031062B	576914000062B	B	4.00	4.20	2.20	1.50

For other pin length, please contact us.



Poles	P/N Gold pl.	P/N Tin pl.	A (mm)	B (mm)	C (mm)	H (mm)
40+40	5769240031062	576924000062	4.00	6.50	2.20	1.50

For other pin length, please contact us.



SPECIFICATIONS

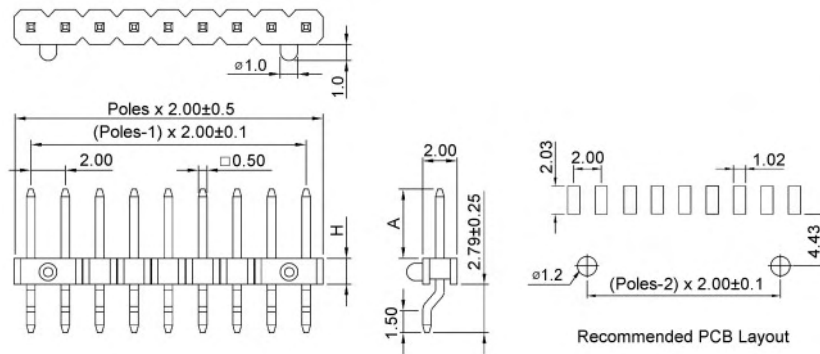
Voltage Rating: 150V AC
 Current Rating: 1,5A max.
 Withstanding Voltage: 500V AC/minute
 Insulation Resistance: 1000 MΩ min.
 Temperature Range: -40°C ~ +105°C
 Contact Resistance: 20 mΩ max.

MATERIAL

Insulator: Nylon 6T, UL94V-0
 Contact: Copper alloy
 Plating: Gold or Tin over Nickel

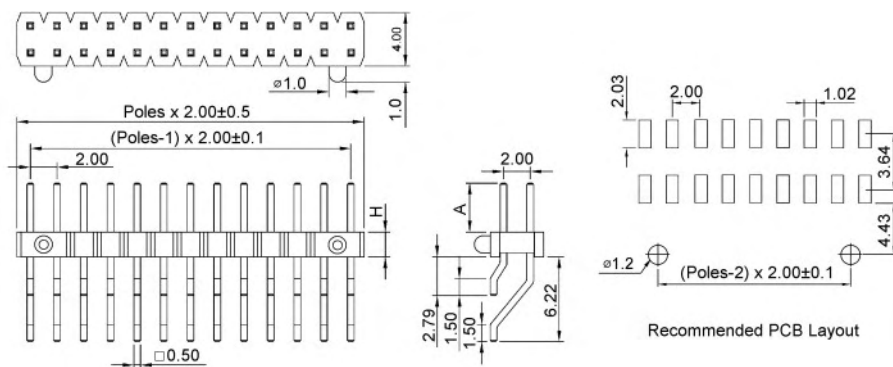
FEATURES

Sizes 1 to 40 single row
 2 to 80 double row
 Suitable for 1.57mm thick PCB
 Hand brackable
 Stackable end-to-end
 Packaging Tube (tape&reel option available)
 Vacuum pick&place cap optional



Poles	P/N Gold pl.	P/N Tin pl.	A (mm)	H (mm)
40	5769140H30063	5769140HC083	4.00	1.50
40	5769140H30088	5769140HC088	4.00	2.00

For other pin length, please contact us.



Poles	P/N Gold pl.	P/N Tin pl.	A (mm)	H (mm)
40+40	5769240H30117	5769240HC117	4.00	1.50
40+40	5769240H30122	5769240HC122	4.00	2.00

For other pin length, please contact us.

BOARD TO BOARD CONNECTORS

Pin strip p.2,0 mm - single/double row THT 180°

A



SPECIFICATIONS

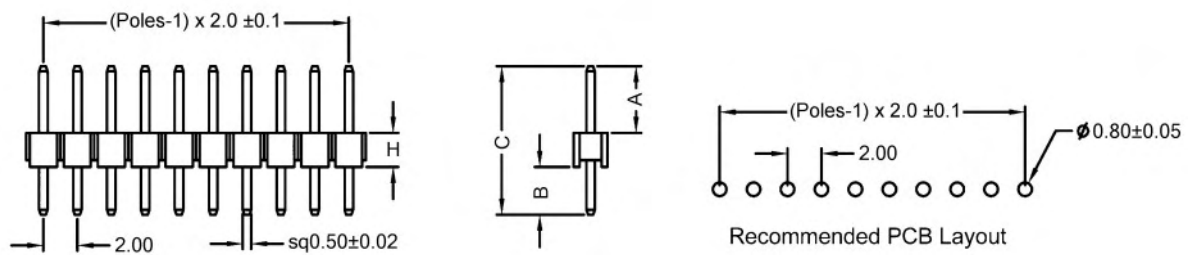
Voltage Rating: 150V AC
 Current Rating: 1,5A max.
 Withstanding Voltage: 500V AC/minute
 Insulation Resistance: 1000 MΩ min.
 Temperature Range: -20°C ~ +105°C
 Contact Resistance: 20 mΩ max.

FEATURES

Sizes 1 to 40 single row
 2 to 80 double row
 Suitable for 1.57mm thick PCB
 Hand brackable
 Stackable side-to-side and end-to-end
 Packaging bag

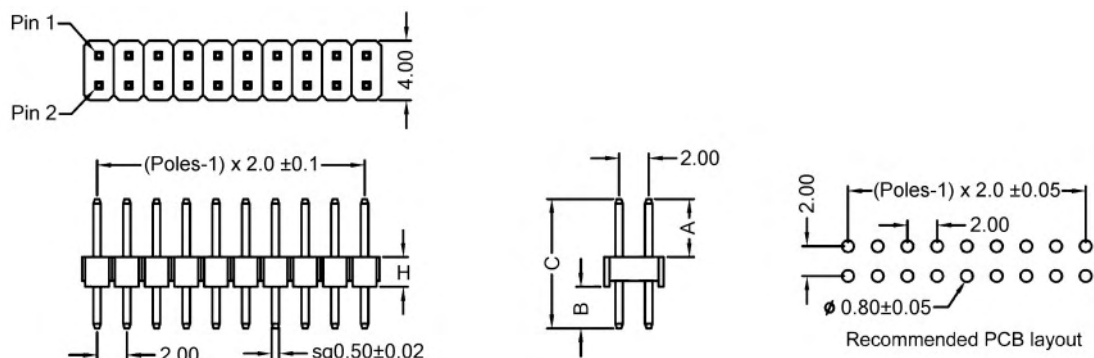
MATERIAL

Insulator: PBT, UL 94 V-0
 Contact: Copper alloy
 Plating: Gold or Tin over Nickel



Poles	P/N Gold pl.	P/N Tin pl.	A (mm)	B (mm)	C (mm)	H (mm)
40	5769140231083	576914020083	3.90	2.90	8.30	1.50

For other pin length, please contact us.



Poles	P/N Gold pl.	P/N Tin pl.	A (mm)	B (mm)	C (mm)	H (mm)
40+40	5769240231083	576924020083	3.90	2.90	8.30	1.50

For other pin length, please contact us.



SPECIFICATIONS

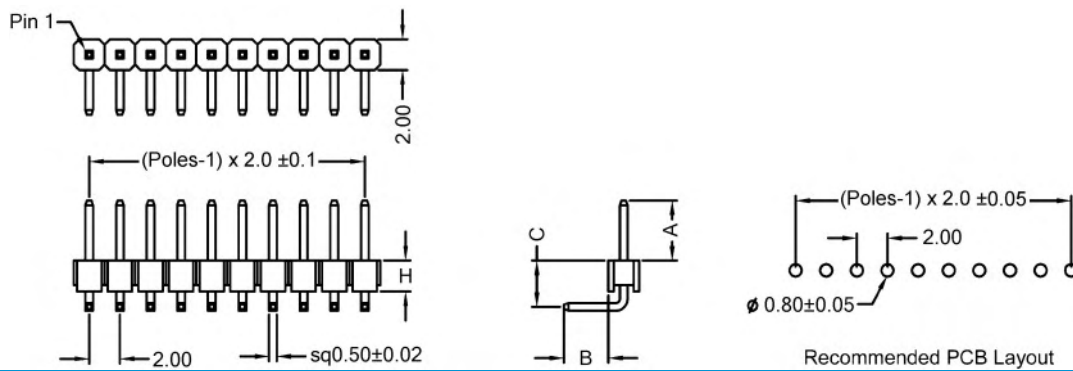
Voltage Rating: 150V AC
 Current Rating: 1,5A max.
 Withstanding Voltage: 500V AC/minute
 Insulation Resistance: 1000 MΩ min.
 Temperature Range: -20°C ~ +105°C
 Contact Resistance: 20 mΩ max.

FEATURES

Sizes 1 to 40 single row
 2 to 80 double row
 Suitable for 1.57mm thick PCB
 Hand brackable
 Stackable side-to-side and end-to-end
 Packaging bag

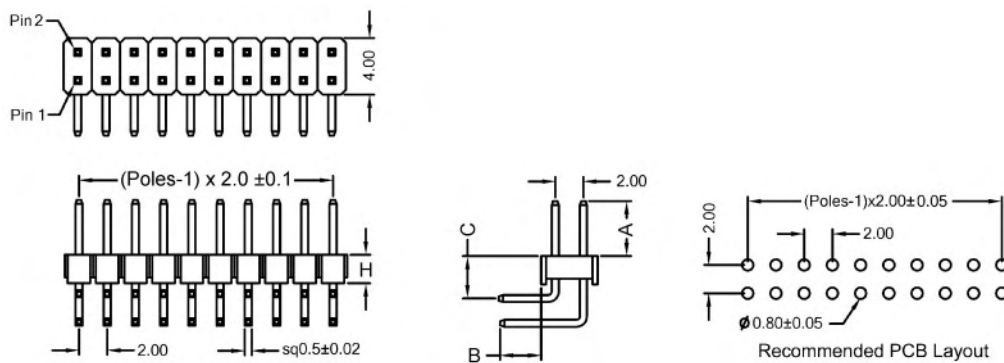
MATERIAL

Insulator: PBT, UL 94V-0
 Contact: Copper alloy
 Plating: Gold or Tin over Nickel



Poles	P/N Gold pl.	P/N Tin pl.	A (mm)	B (mm)	C (mm)	H (mm)
40	5769140931064	576914090064	3,90	2,90	2,50	1,50
40	5769140931069	576914090069	3,90	2,90	3,00	2,00

For other pin length, please contact us.



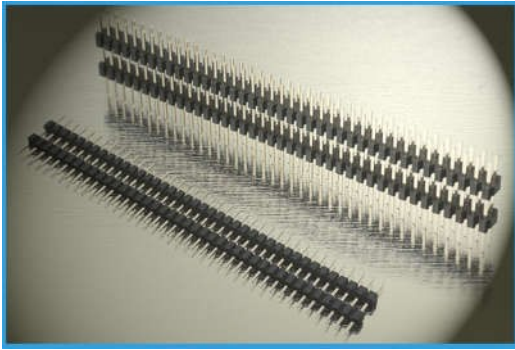
Poles	P/N Gold pl.	P/N Tin pl.	A (mm)	B (mm)	C (mm)	H (mm)
40+40	5769240931064	576924090064	3,90	2,90	2,50	1,50
40+40	5769240931069	576924090069	3,90	2,90	3,00	2,00

For other pin length, please contact us.

BOARD TO BOARD CONNECTORS

Pin strip p.2,0 mm - Dual socket spacers THT 180°

A



SPECIFICATIONS

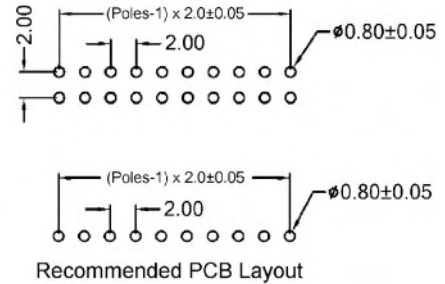
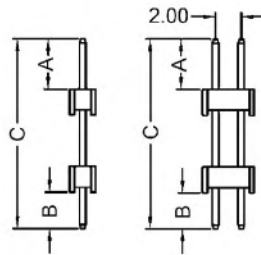
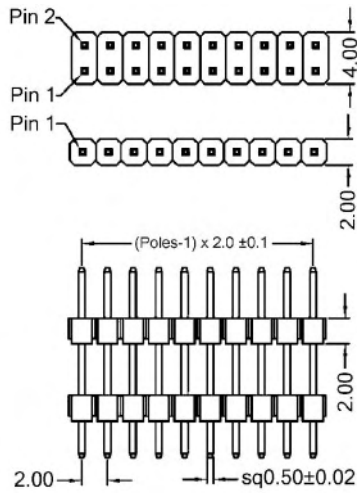
Voltage Rating: 150V AC
 Current Rating: 1,5A max.
 Withstanding Voltage: 500V AC/minute
 Insulation Resistance: 1000 MΩ min.
 Temperature Range: -20°C ~ +105°C
 Contact Resistance: 20 mΩ max.

FEATURES

Sizes 1 to 40 single row
 2 to 80 double row
 Suitable for 1.57mm thick PCB
 Hand brackable
 Stackable side-to-side and end-to-end
 Packaging bag

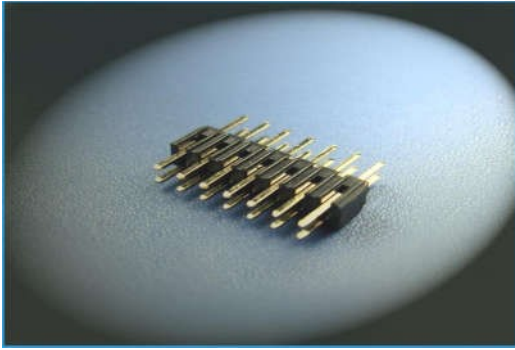
MATERIAL

Insulator: PBT, UL 94V-0
 Contact: Copper alloy
 Plating: Gold or Tin over Nickel



Poles	P/N Gold pl.	P/N Tin pl.	A (mm)	B (mm)	C (mm)
40	5769140231144D	576914020144D	According	2,90	14,40
40+40	5769240231144D	576924020144D	to customers	2,90	14,40
			recuirements		

For other pin length, please contact us.



SPECIFICATIONS

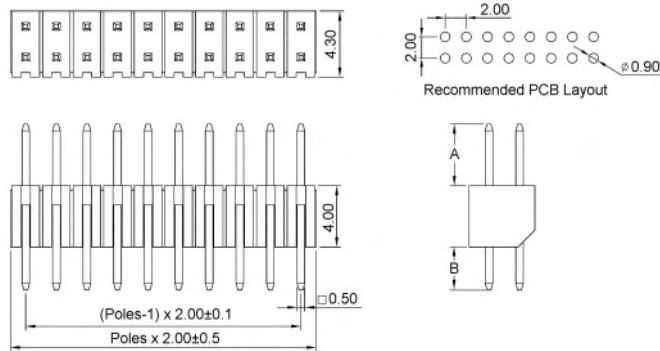
Voltage Rating: 150V AC
 Current Rating: 1,5A max.
 Withstanding Voltage: 500V AC/minute
 Insulation Resistance: 1000 MΩ min.
 Temperature Range: -20°C ~ +105°C
 Contact Resistance: 20 mΩ max.

FEATURES

Sizes 4 to 80
 Suitable for 1,57mm thick PCB
 Stackable and end-to-end
 Packaging bag

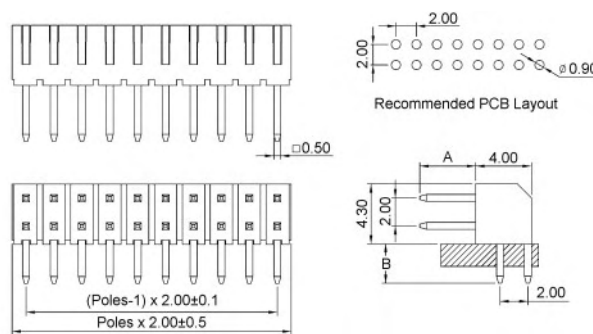
MATERIAL

Insulator: PBT, UL 94 V-0
 Contact: Copper alloy
 Plating: Gold or Tin over Nickel



Poles	P/N Gold pl.	P/N Tin pl.	A (mm)	B (mm)
40+40	5769240230106B43	576924020108B43	4.00	2.80

For other pin length, please contact us.



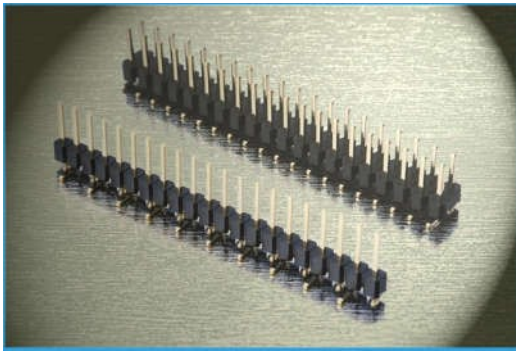
Poles	P/N Gold pl.	P/N Tin pl.	A (mm)	B (mm)
40+40	5769240930080B43	5769240900080B43	4.00	2.80

For other pin length, please contact us.

BOARD TO BOARD CONNECTORS

Pin strip p.2,54 mm - single/double row SMT 180°

A



SPECIFICATIONS

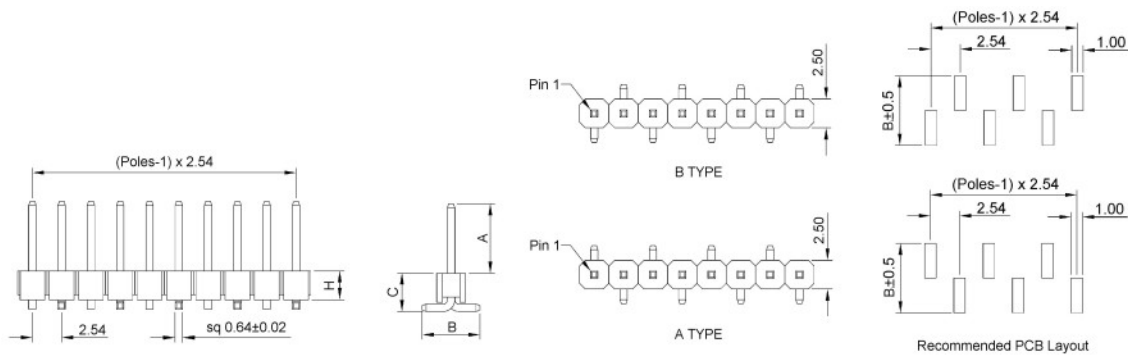
Voltage Rating: 250V AC,DC
 Current Rating: 3A AC,DC
 Withstanding Voltage: 500 V AC/minute
 Insulation Resistance: 5000 MΩ min.
 Temperature Range: -40°C ~ +105°C
 Contact Resistance: 20 mΩ max.

FEATURES

Sizes 1 to 40 single row
 2 to 80 double row
 Hand backable
 Stackable end-to-end
 Packaging Tube (tape&reel opt, available)
 Vacuum pick&place cap/film optional

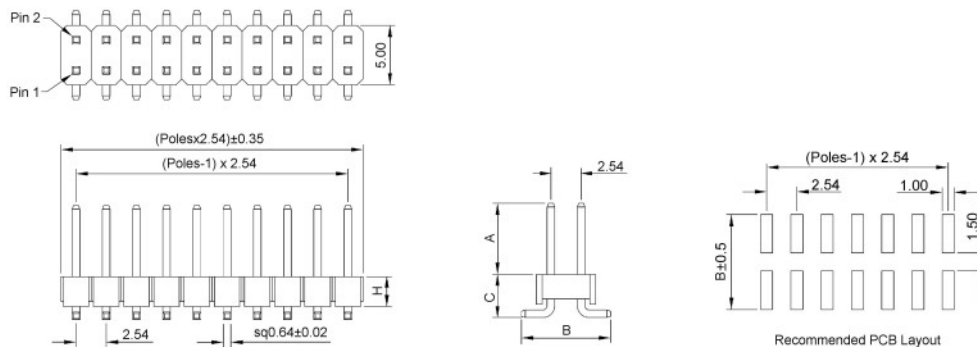
MATERIAL

Insulator: Nylon 6T, UL94V-0
 Contact: Copper alloy
 Finish: Gold or Tin over Nickel



poles	P/N Gold pl.	P/N Tin pl.	A (mm)	B (mm)	C (mm)	H (mm)
40	5169140031093*	51691400093*	6,00	5,00	3,30	2,50
40	5169140031085*	51691400085*	6,00	5,00	2,50	1,70
40	5169140031083*	51691400083*	6,00	5,00	2,30	1,50

*please select A or B Type - For other pin length, please contact us.



Poles	P/N Gold pl.	P/N Tin pl.	A (mm)	B (mm)	C (mm)	H (mm)
40+40	5169240031093	51692400093	6,00	7,50	3,30	2,50
40+40	5169240031085	51692400085	6,00	7,50	2,50	1,70
40+40	5169240031083	51692400083	6,00	7,50	2,30	1,50

For other pin length, please contact us.



SPECIFICATIONS

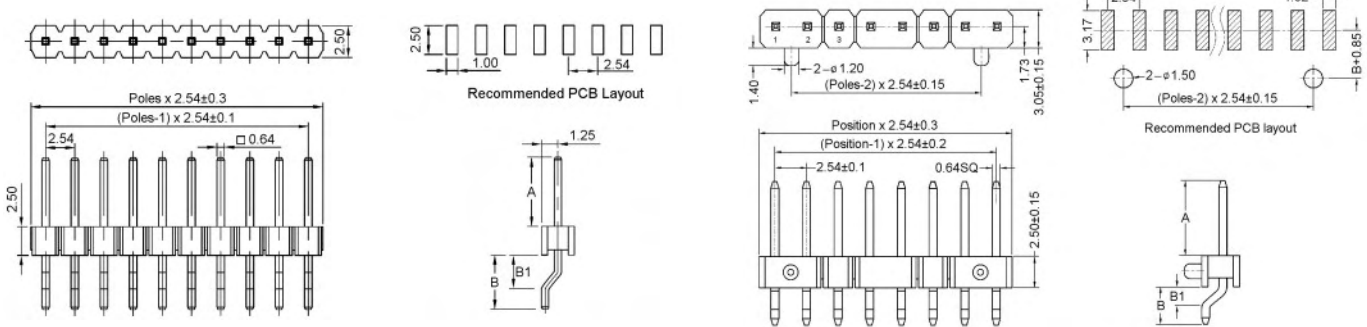
Voltage Rating: 250V AC,DC
 Current Rating: 3A AC,DC
 Withstanding Voltage: 500 V AC/minute
 Insulation Resistance: 5000 MΩ min.
 Temperature Range: -40°C ~ +105°C
 Contact Resistance: 20 mΩ max.

FEATURES

Sizes 1 to 40 single row
 2 to 80 double row
 Hand backable
 Stackable side-to-side and end-to-end
 Packaging Tube (tape&reel option available)
 Vacuum pick&place cap/film optional

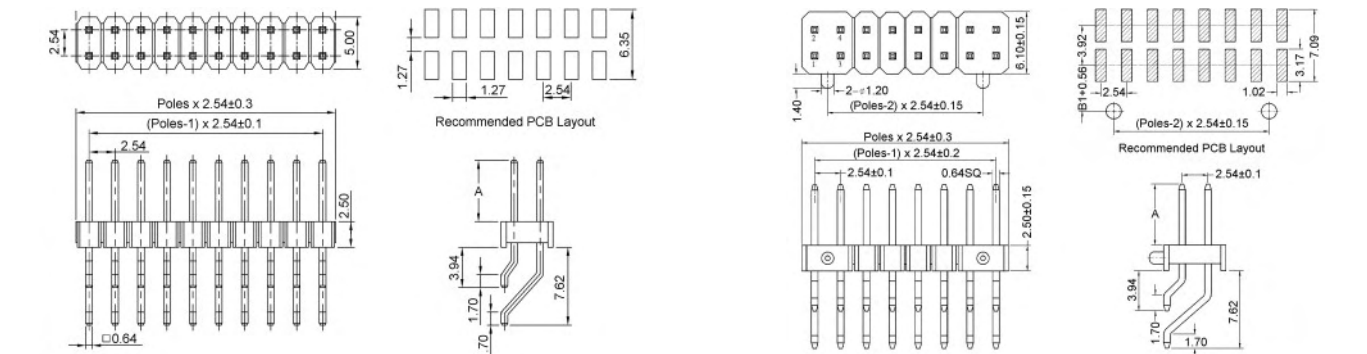
MATERIAL

Insulator: Nylon 6T, UL94V-0
 Contact: Copper alloy
 Finish: Gold or Tin over Nickel



poles	P/N Gold pl.	P/N Tin pl.	A (mm)	B (mm)	B1 (mm)	poles	P/N Gold pl.	P/N Tin pl.	A (mm)	B (mm)	B1 (mm)
40	5169140H30121	5169140H0121	6.00	3.60	1.90	40	5169140H30115P	5169140H0115P	6.00	3.00	1.73
40	5169140H30115	5169140H0115	6.00	3.00	1.73						

For other pin length, please contact us.



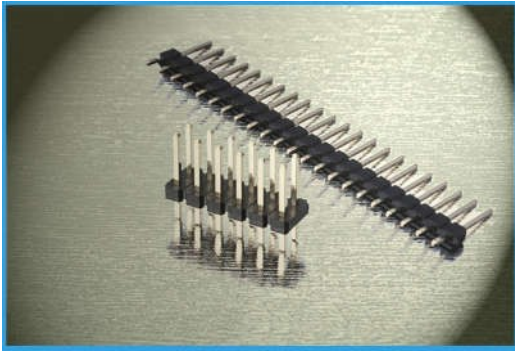
Poles	P/N Gold pl.	P/N Tin pl.	A (mm)	Poles	P/N Gold pl.	P/N Tin pl.	A (mm)
40+40	5169240H30161	5169240H0161	6.00	40+40	5169240H30161P	5169240H0161P	6.00

For other pin length, please contact us.

BOARD TO BOARD CONNECTORS

Pin strip p.2,54 mm - single/double row THT 180°

A



SPECIFICATIONS

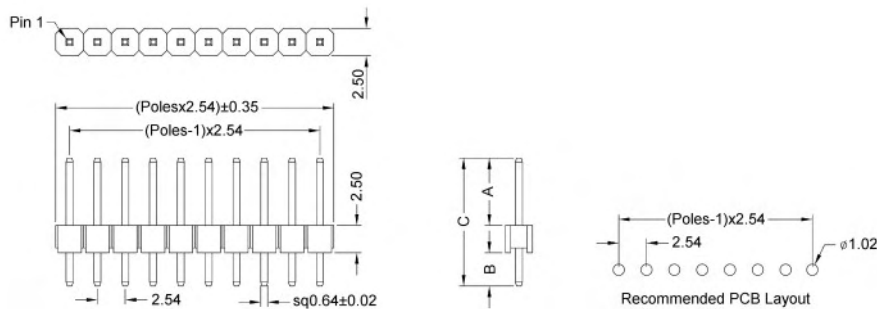
Voltage Rating: 250V AC,DC
 Current Rating: 3A
 Withstanding Voltage: 500 V AC/minute
 Insulation Resistance: 5000 MΩ min.
 Temperature Range: -40°C ~ +105°C
 Contact Resistance: 20 mΩ max.

FEATURES

Sizes 1 to 40 single row
 2 to 80 double row
 Suitable for 1.57mm thick PCB
 Hand brackable
 Stackable side-to-side and end-to-end
 Packaging bag

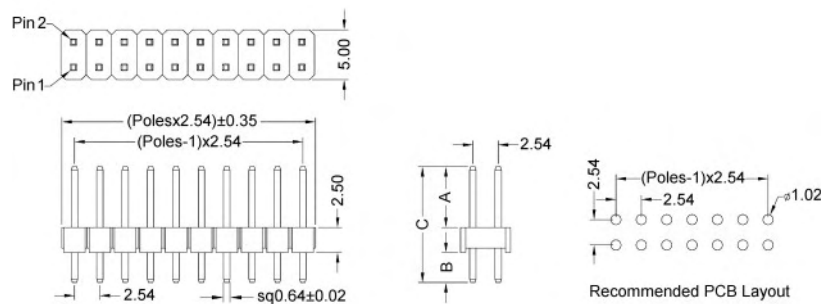
MATERIAL

Insulator: G.F. PBT, UL94V-0
 Contact: Copper alloy
 Finish: Gold or Tin over Nickel



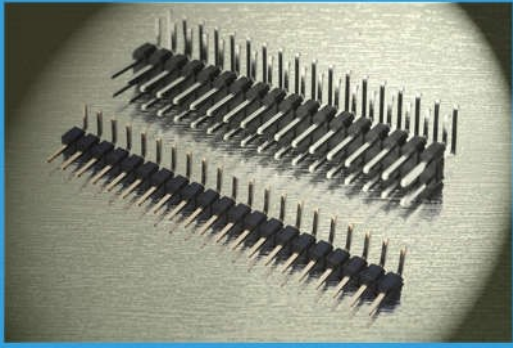
Poles	P/N Gold pl.	P/N Tin pl.	A (mm)	B (mm)	C (mm)	Poles	P/N Gold pl.	P/N Tin pl.	A (mm)	B (mm)	C (mm)
40	5169140231111	5169140201111	5,80	2,90	11,10	40	516914023130C	516914020300	24,50	2,90	30,00
40	5169140231116	5169140201116	6,10	2,90	11,80	40	516914023136C	516914020360	30,50	2,90	36,00
40	5169140231124	5169140201124	6,90	2,90	12,40						
40	5169140231135	5169140201135	8,00	2,90	13,50						
40	5169140231145	5169140201145	9,00	2,90	14,50						
40	5169140231165	5169140201165	11,00	2,90	16,50						
40	5169140231180	5169140201180	12,50	2,90	18,30						
40	5169140231196	5169140201196	14,10	2,90	19,80						
40	5169140231210	516914020210	15,50	2,90	21,30						
40	5169140231260	516914020260	20,50	2,90	26,30						

For other pin length, please contact us.



Poles	P/N Gold pl.	P/N Tin pl.	A (mm)	B (mm)	C (mm)	Poles	P/N Gold pl.	P/N Tin pl.	A (mm)	B (mm)	C (mm)
40+40	5169240231111	5169240201111	5,50	2,90	11,10	40+40	516924023130C	516924020300	24,50	2,90	30,00
40+40	5169240231116	5169240201116	6,10	2,90	11,80	40+40	516924023136C	516924020360	30,50	2,90	36,00
40+40	5169240231124	5169240201124	6,90	2,90	12,40						
40+40	5169240231135	5169240201135	8,00	2,90	13,50						
40+40	5169240231145	5169240201145	9,00	2,90	14,50						
40+40	5169240231165	5169240201165	11,00	2,90	16,50						
40+40	5169240231180	5169140201180	12,50	2,90	18,30						
40+40	5169240231196	5169240201196	14,10	2,90	19,80						
40+40	5169240231210	516924020210	15,50	2,90	21,30						
40+40	5169240231260	516924020260	20,50	2,90	26,30						

For other pin length, please contact us.



SPECIFICATIONS

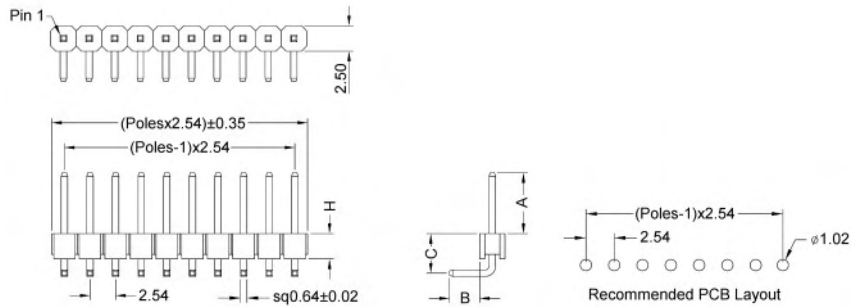
Voltage Rating: 250V AC,DC
 Current Rating: 3A
 Withstanding Voltage: 500 V AC/minute
 Insulation Resistance: 5000 MΩ min.
 Temperature Range: -40°C ~ +105°C
 Contact Resistance: 20 mΩ max.

FEATURES

Sizes 1 to 40 single row
 2 to 80 double row
 Hand brackable
 Stackable side-to-side and end-to-end
 Packaging bag

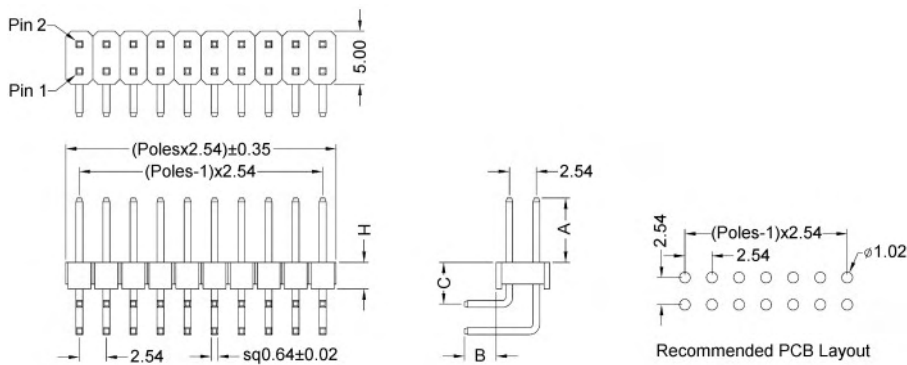
MATERIAL

Insulator: G.F. PBT, UL94V-0
 Colour : Copper alloy
 Finish: Gold or Tin over Nickel



Poles	P/N Gold pl.	P/N Tin pl.	A (mm)	B (mm)	C (mm)	H (mm)
40	5169140931100	516914090100	6,00	2,90	4,0	2,50
40	5169140931104	516914090124	6,40	2,90	4,0	2,50

For other pin length, please contact us.



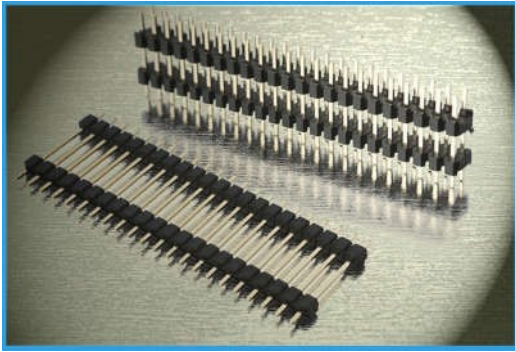
Poles	P/N Gold pl.	P/N Tin pl.	A (mm)	B (mm)	C (mm)	H (mm)
40+40	5169240931100	516924090100	6,00	2,90	4,00	2,50
40+40	5169240931104	516924090104	6,40	2,90	4,00	2,50

For other pin length, please contact us.

BOARD TO BOARD CONNECTORS

Pin strip p.2,54 mm - Double socket spacers THT 180°

A



SPECIFICATIONS

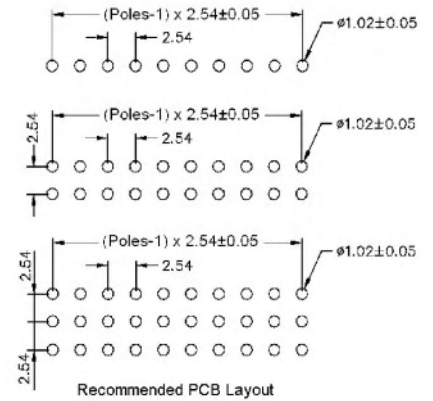
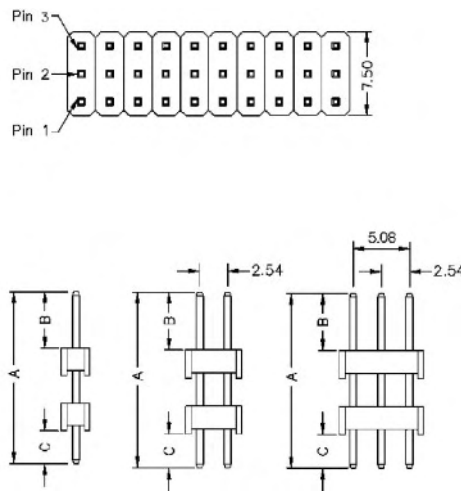
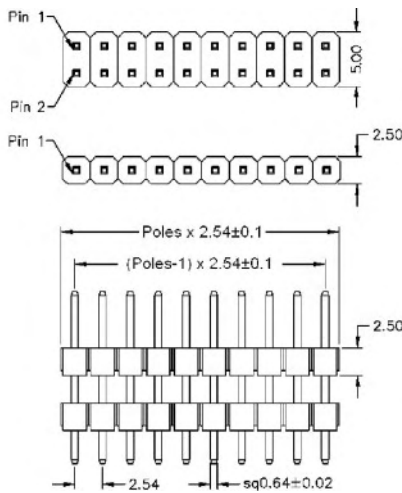
Voltage Rating: 250V AC,DC
 Current Rating: 3A AC,DC
 Withstanding Voltage: 1500 V AC/minute
 Insulation Resistance: 5000 MΩ min.
 Temperature Range: -40°C ~ +105°C
 Contact Resistance: 20 mΩ max.

MATERIAL

Insulator: G.F. PBT, UL94V-0
 Contact: Copper alloy
 Finish: Gold or Tin over Nickel

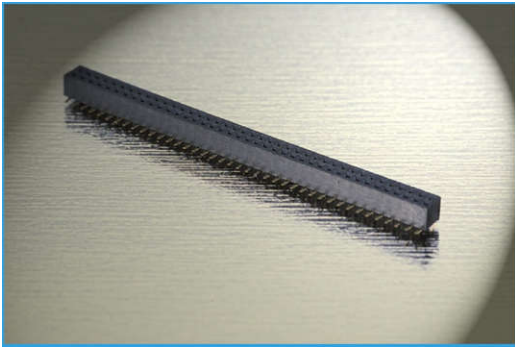
FEATURES

Sizes 1 to 40 single row;
 2 to 80 double row.
 Suitable for 1.57mm thick PCB
 hand brackable
 Stackable side-to-side and end-to-end
 Packaging bag



Poles x row	Part.No. 1 row	Part.No. 2 row	Part.No. 3 row	A(mm)	B(mm)	C(mm)
40	51691402xx111D	51692402xx111D	51693402xx111D	11,1		2,9
40	51691402xx116D	51692402xx116D	51693402xx116D	11,6		2,9
40	51691402xx124D	51692402xx124D	51693402xx124D	12,4		2,9
40	51691402xx135D	51692402xx135D	51693402xx135D	13,5		2,9
40	51691402xx145D	51692402xx145D	51693402xx145D	14,5		
40	51691402xx165D	51692402xx165D	51693402xx165D	16,5	According	
40	51691402xx180D	51692402xx180D	51693402xx180D	18,0	to customer	
40	51691402xx196D	51692402xx196D	51693402xx196D	19,6	requirements	
40	51691402xx210D	51692402xx210D	51693402xx210D	21,0		
40	51691402xx260D	51692402xx260D	51693402xx260D	26,0		
40	51691402xx300D	51692402xx300D	51693402xx300D	30,0		
40	51691402xx360D	51692402xx360D	51693402xx360D	36,0		

XX:31= Gold plated ; xx:0= Tin plated
 For other pin length, please contact us.



SPECIFICATIONS

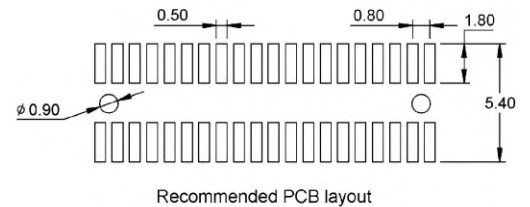
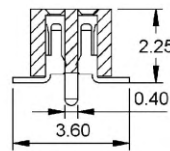
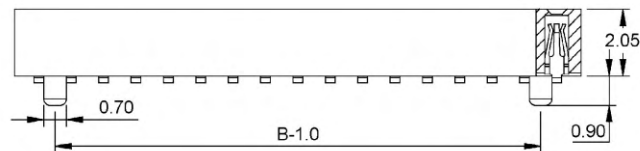
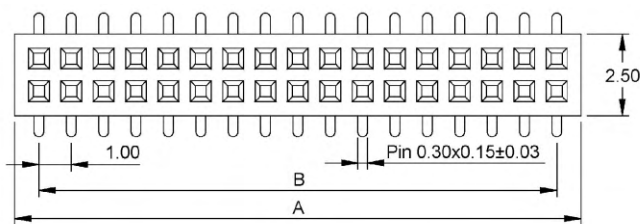
Voltage Rating: 100 V AC,DC
 Current Rating: 1A max.
 Withstanding Voltage: 500V AC/minute
 Insulation Resistance: 1000 MΩ min.
 Temperature Range: -40°C ~ +105°C
 Contact Resistance: 20 mΩ max.

FEATURES

Sizes 4 to 100 double row
 Mate with 0,3 mm square pin
 Packaging Tube or Tape & reel
 Vacuum pick&place cap optional

MATERIAL

Insulator: Nylon 6T, UL94V-0
 Contact: Phosphor bronze
 Plating: Gold over Nickel



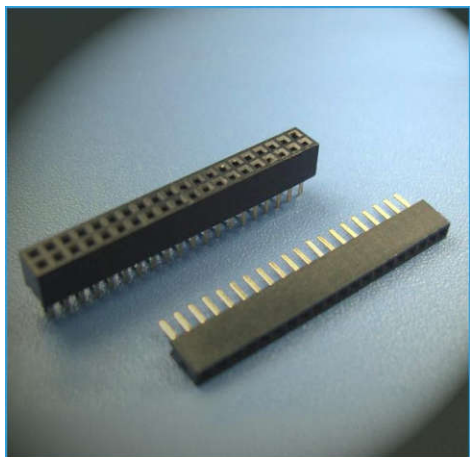
Poles	Part. No.	A (mm)	B (mm)
2+2	96202030-9*	2.40	1.00
3+3	96203030-9*	3.40	2.00
4+4	96204030-9*	4.40	3.00
---	---	---	---
---	---	---	---
---	---	---	---
---	---	---	---
48+48	96248030-9*	48.40	48.00
49+49	96249030-9*	49.40	49.00
50+50	96250030-9*	50.40	50.00

*=For plastic peg option, add, P to the Part No.

BOARD TO BOARD CONNECTORS

PCB female header p.1,27x1,27 mm - single/double THT 90/180°

A



SPECIFICATIONS

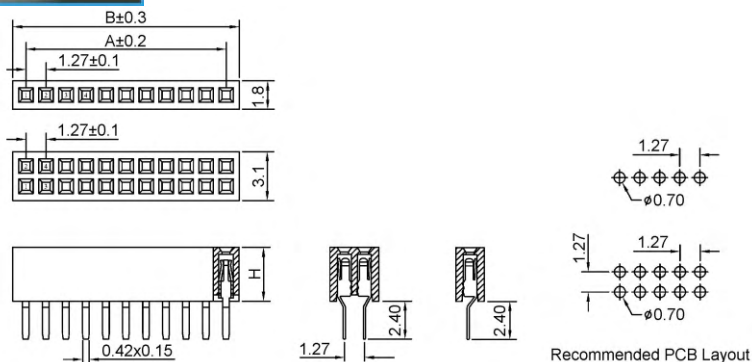
Voltage Rating: 100V, AC,DC
 Current Rating: 1A
 Withstanding Voltage: 500V AC/minute
 Insulation Resistance: 1000 MΩ min.
 Temperature Range: -40°C ~ +105°C
 Contact Resistance: 20 mΩ max.

FEATURES

Sizes 2 to 50 single row
 4 to 100 dual row
 Mate with 0.40 mm square pin
 Suitable for 1.57mm thick PCB
 Packaging plastic tray or tube

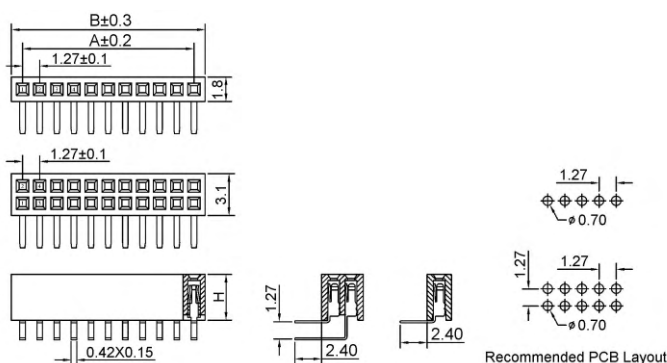
MATERIAL

Insulator: Nylon 6T, UL 94V-0
 Contact: Phosphor bronze
 Plating: Gold or Tin over Nickel



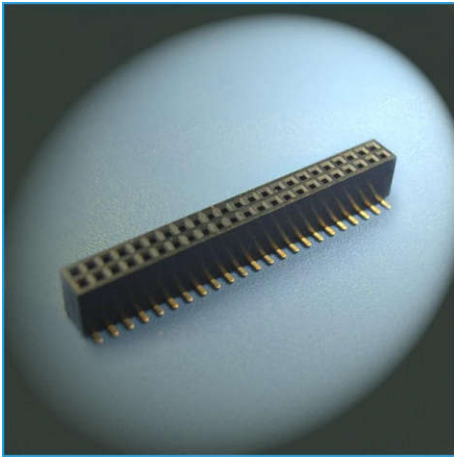
Poles x row	P/N 1 row	P/N 2 row	A (mm)	B (mm)	H (mm)
50	961502xx-0020	962502xx-0020	62.23	63.80	2.00
50	961502xx-0034	962502xx-0034	62.23	63.80	3.40
50	961502xx-0044	962502xx-0044	62.23	63.80	4.40

xx:30= Gold plated ; xx:0= Tin plated



Poles x row	P/N 1 row	P/N 2 row	A (mm)	B (mm)	H (mm)
50	961509xx-0034	962509xx-0034	62.23	63.80	3.40
50	961509xx-0044	962509xx-0044	62.23	63.80	4.40

xx:30= Gold plated ; xx:0= Tin plated



SPECIFICATIONS

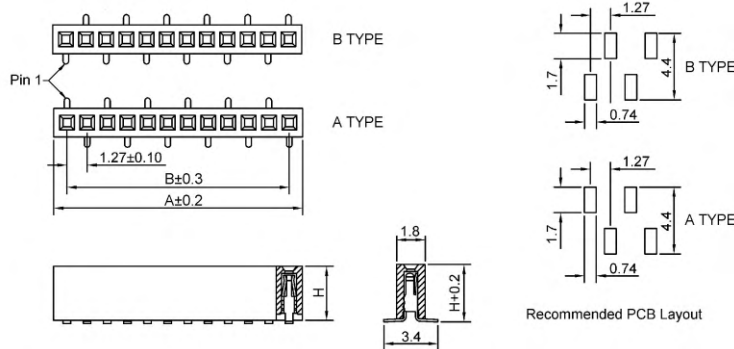
Voltage Rating: 100V, AC,DC
 Current Rating: 1A
 Withstanding Voltage: 500V AC/minute
 Insulation Resistance: 1000 MΩ min.
 Temperature Range: -40°C ~ +105°C
 Contact Resistance: 20 mΩ max.

FEATURES

Sizes 2 to 50 single row
 4 to 100 dual row
 Suitable for 1.57mm thick PCB
 Mate with 0.40 mm square pin
 Packaging Tube or Tape & reel
 Vacuum pick&place cap optional

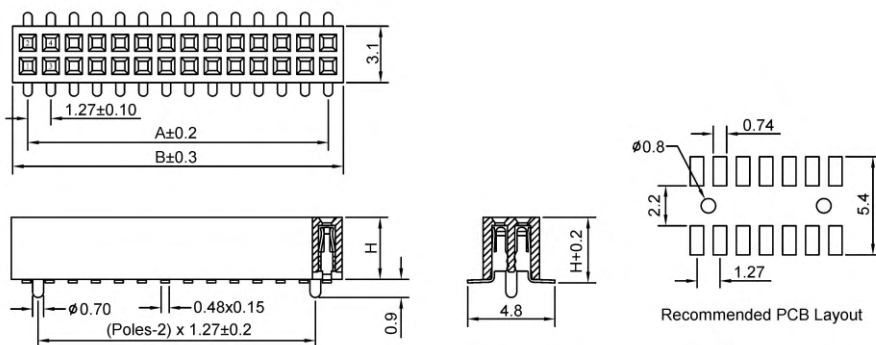
MATERIAL

Insulator: Nylon 6T, UL94V-0
 Contact: Phosphor bronze
 Plating: Gold or Tin over Nickel



Poles	P/N A Type	P/N B Type	A (mm)	B (mm)	H (mm)
50	961500xx-0020A	961500xx-0020B	62.23	63.90	2.00
50	961500xx-0034A	961500xx-0034B	62.23	63.90	3.40
50	961500xx-0044A	961500xx-0044B	62.23	63.90	4.40

xx:30= Gold plated ; xx:0= Tin plated



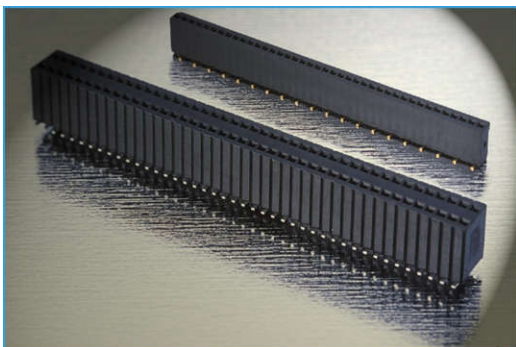
Poles	Part. No.	A (mm)	B (mm)	H (mm)
50+50	962500xx-0020*	62.23	63.90	2.00
50+50	962500xx-0034*	62.23	63.90	3.40
50+50	962500xx-0044*	62.23	63.90	4.40

xx:30= Gold plated ; xx:0= Tin plated; *= For plastic peg option, add, P to the Part. No.

BOARD TO BOARD CONNECTORS

PCB female header p.1,27x2,54 mm - single row H=5.8mm SMT 180°

A



SPECIFICATIONS

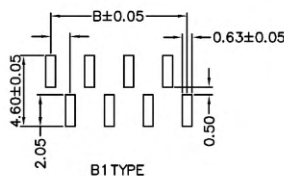
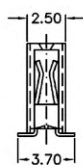
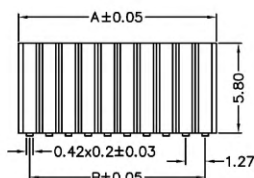
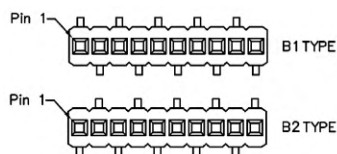
Voltage Rating: 100V, AC,DC
 Current Rating: 1A
 Withstanding Voltage: 500V AC/minute
 Insulation Resistance: 1000 MΩ min.
 Temperature Range: -40°C ~ +105°C
 Contact Resistance: 20 mΩ max.

FEATURES

Sizes 2 to 50 single row
 4 to 100 dual row
 Suitable for 1.57mm thick PCB
 Packaging Tube or Tape & reel
 Vacuum pick&place cap optional

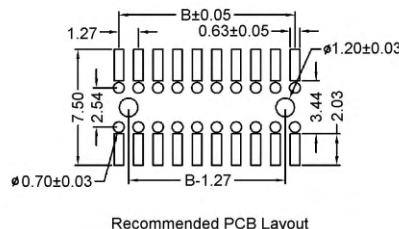
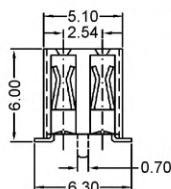
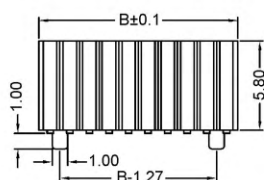
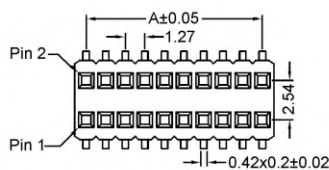
MATERIAL

Insulator: Nylon 6T, UL94V-0
 Contact: Phosphor bronze
 Plating: Gold or Tin over Nickel



Poles	Part. No.B1	Part. No.B2	A (mm)	B (mm)
2	961020xx-0B1	961020xx-0B2	2.74	1.27
3	961030xx-0B1	961030xx-0B2	4.01	2.54
4	961040xx-0B1	961040xx-0B2	5.28	3.81
---	---	---	---	---
---	---	---	---	---
---	---	---	---	---
48	961480xx-0B1	961480xx-0B2	61.16	59.69
49	961490xx-0B1	961490xx-0B2	62.43	60.96
50	961500xx-0B1	961500xx-0B2	63.70	62.23

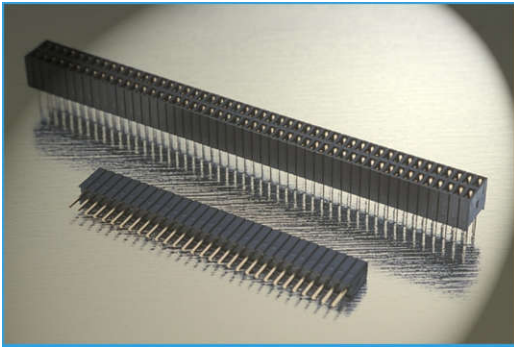
xx:30= Gold plated ; xx:0= Tin plated



Recommended PCB Layout

Poles	Part. No.	A (mm)	B (mm)
2+2	962020xx-0*	2.74	1.27
3+3	962030xx-0*	4.01	2.54
4+4	962040xx-0*	5.28	3.81
---	---	---	---
---	---	---	---
---	---	---	---
48+48	962480xx-0*	61.16	59.69
49+49	962490xx-0*	62.43	60.96
50+50	962500xx-0*	63.70	62.23

xx:30= Gold plated ; xx:0= Tin plated; *= For plastic peg option, add. W to the Part No.



SPECIFICATIONS

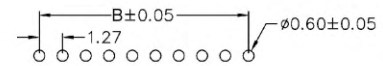
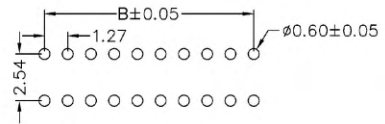
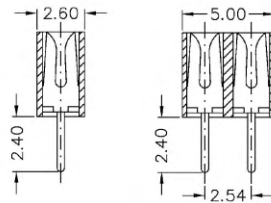
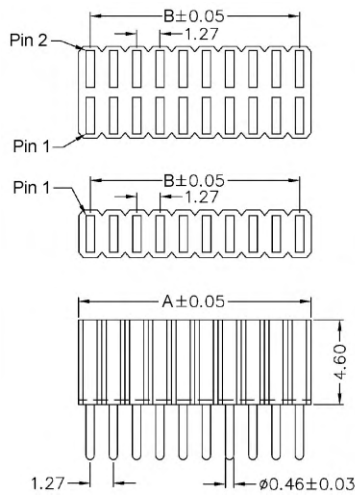
Voltage Rating: 100V, AC,DC
 Current Rating: 1A
 Withstanding Voltage: 500V AC/minute
 Insulation Resistance: 1000 MΩ min.
 Temperature Range: -40°C ~ +105°C
 Contact Resistance: 20 mΩ max.

FEATURES

Sizes 2 to 50 single row
 4 to 100 dual row
 Suitable for 1.57mm thick PCB
 Packaging plastic tray or tube

MATERIAL

Insulator: Nylon 6T, UL 94V-0
 Contact: Phosphor bronze
 Plating: Gold or Tin over Nickel



Recommended PCB Layout

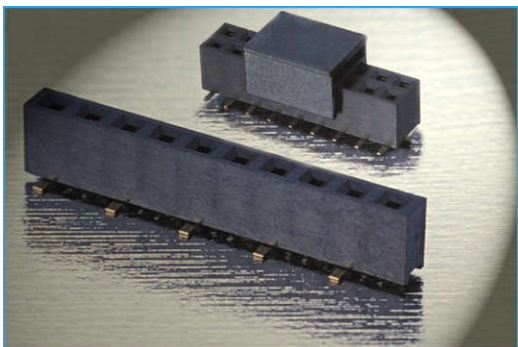
Poles x row	Part.No. 1 row	Part.No. 2 row	A (mm)	B (mm)
2	96102xx-0	96202xx-0	2.54	1.27
3	96103xx-0	96203xx-0	3.81	2.54
4	96104xx-0	96204xx-0	5.08	3.81
---		
---		
---		
---		
48	96148xx-0	96248xx-0	60.96	59.69
49	96149xx-0	96249xx-0	62.23	60.96
50	96150xx-0	96250xx-0	63.50	62.23

xx:30= Gold plated ; xx:0= Tin plated

BOARD TO BOARD CONNECTORS

PCB female header p.2,0 mm - single row H=4.3 mm SMT 180°

A



SPECIFICATIONS

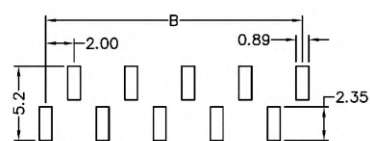
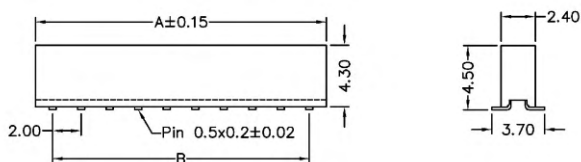
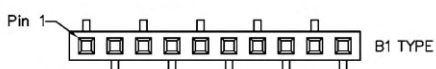
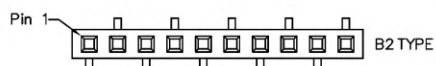
Voltage Rating: 150V AC, DC
 Current Rating: 1.5A
 Withstanding Voltage: 500V AC/minute
 Insulation Resistance: 1000 MΩ min.
 Temperature Range: -40°C ~ +105°C
 Contact Resistance: 20 mΩ max.

FEATURES

Sizes 2 to 40 single row
 4 to 80 double row
 Mate with 0,5 mm square pin
 Packaging Tube or Tape & reel
 Vacuum pick&place cap optional

MATERIAL

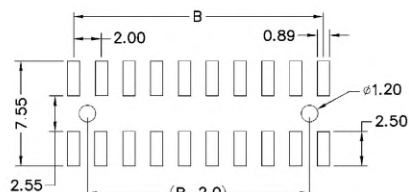
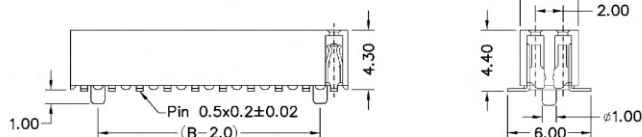
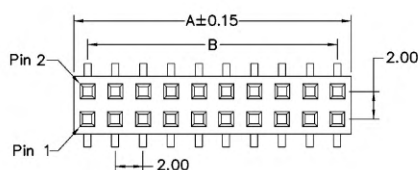
Insulator: Nylon 66, UL 94V-0
 Contact: Phosphor bronze
 Plating: Gold or Tin over Nickel



Recommended PCB Layout

Poles	Part. No.	Part. No.	A (mm)	B (mm)
2	961020xx-2B1	961020xx-2B2	4.00	2.00
3	961030xx-2B1	961030xx-2B2	6.00	4.00
4	961040xx-2B1	961040xx-2B2	8.00	6.00
----		
----		
----		
38	961380xx-2B1	961380xx-2B2	76.00	74.00
39	961390xx-2B1	961390xx-2B2	78.00	76.00
40	961400xx-2B1	961400xx-2B2	80.00	78.00

xx:30= Gold plated ; xx:0= Tin plated



Recommended PCB Layout

Poles	Part. No.	A (mm)	B (mm)
2+2	962020xx-2*	4.00	2.00
3+3	962030xx-2*	6.00	4.00
4+4	962040xx-2*	8.00	6.00

38+38	962380xx-2*	76.00	74.00
39+39	962390xx-2*	78.00	76.00
40+40	962400xx-2*	80.00	78.00

xx:30= Gold plated ; xx:0= Tin plated;*= For plastic peg option, add, P to the Part No.



SPECIFICATIONS

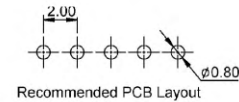
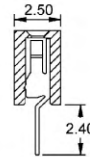
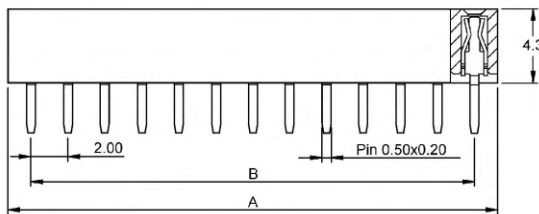
Voltage Rating: 150V AC, DC
 Current Rating: 1.5A max.
 Withstanding Voltage: 500V AC/minute
 Insulation Resistance: 1000 MΩ min.
 Temperature Range: -40°C ~ +105°C
 Contact Resistance: 20 mΩ max.

FEATURES

Sizes 2 to 40 single row
 Suitable for 1.57mm thick PCB
 Mate with 0,5 mm square pin
 Packaging plastic tray or tube

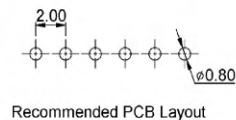
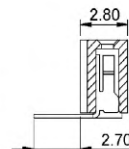
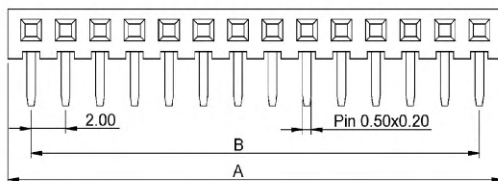
MATERIAL

Insulator: PBT, UL 94 V-0
 Contact: Phosphor bronze
 Plating: Gold, Tin or Selective Gold over Nickel



Poles	Part. No.	A (mm)	B (mm)
2	961022xx-2	4.00	2.00
3	961032xx-2	6.00	4.00
4	961042xx-2	8.00	6.00
---	---	---	---
---	---	---	---
---	---	---	---
38	961382xx-2	76.00	74.00
39	961392xx-2	78.00	76.00
40	961402xx-2	80.00	78.00

xx:30= Gold plated ; xx:0= Tin plated



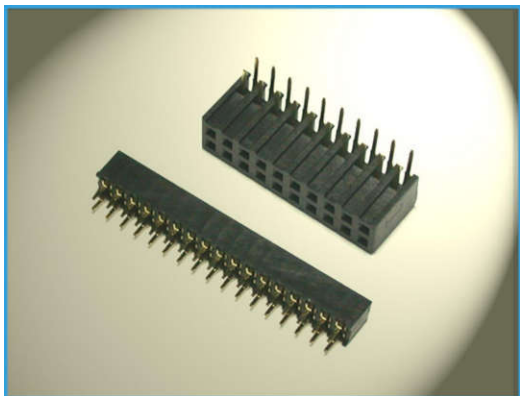
Poles	Part. No.	A (mm)	B (mm)
2	961029xx-2	6.50	2.00
3	961039xx-2	8.50	4.00
4	961049xx-2	10.50	6.00
---	---	---	---
---	---	---	---
---	---	---	---
38	961389xx-2	76.50	74.00
39	961399xx-2	78.50	76.00
40	961409xx-2	80.50	78.00

xx:30= Gold plated ; xx:0= Tin plated

BOARD TO BOARD CONNECTORS

PCB female header p.2,0 mm - double row H=4.3/4.85mm THT 90°/180°

A



SPECIFICATIONS

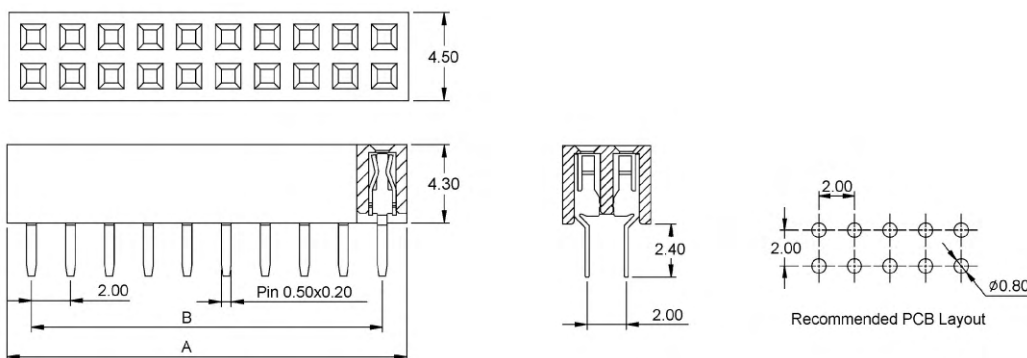
Voltage Rating: :150V AC, DC
 Current Rating: :1.5A max.
 Withstanding Voltage: :500V AC/minute
 Insulation Resistance: :1000 MΩ min.
 Temperature Range: :-20°C ~ +105°C
 Contact Resistance: :20 mΩ max.

FEATURES

Sizes 4 to 80 double row
 Suitable for 1.57mm thick PCB
 Mate with 0.5 mm square pin
 Packaging plastic tray or tube

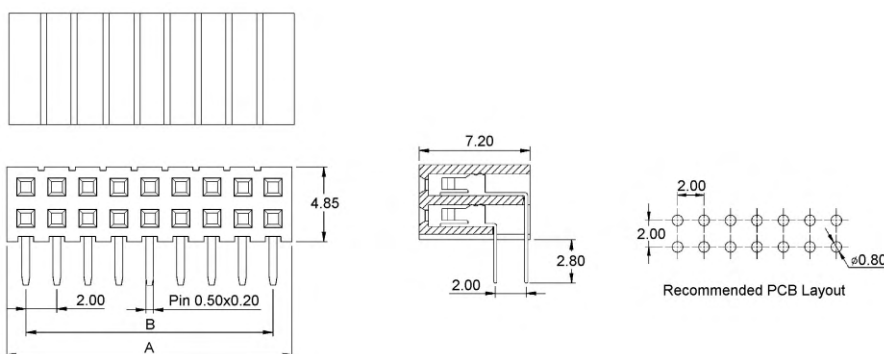
MATERIAL

Insulator: PBT, UL 94 V-0
 Contact: Phosphor bronze
 Plating: Gold, tin or Selective Gold over Nickel



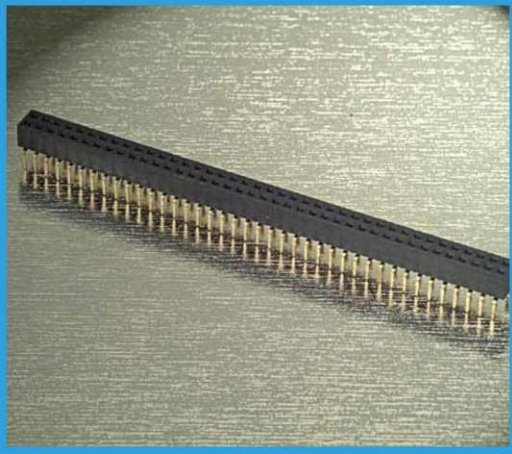
Poles	Part. No.	A (mm)	B (mm)
2+2	962022xx-2	4.00	2.00
3+3	962032xx-2	6.00	4.00
4+4	962042xx-2	8.00	6.00
---	---	---	---
---	---	---	---
---	---	---	---
38+38	962382xx-2	76.00	74.00
39+39	962392xx-2	78.00	76.00
40+40	962402xx-2	80.00	78.00

xx:30= Gold plated ; xx:0= Tin plated



Poles	Part. No.	A (mm)	B (mm)
2+2	962029xx-2	4.50	2.00
3+3	962039xx-2	6.50	4.00
4+4	962049xx-2	8.50	6.00
---	---	---	---
---	---	---	---
---	---	---	---
38+38	962389xx-2	76.50	74.00
39+39	962399xx-2	78.50	76.00
40+40	962409xx-2	80.50	78.00

xx:30= Gold plated ; xx:0= Tin plated



SPECIFICATIONS

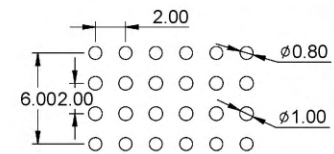
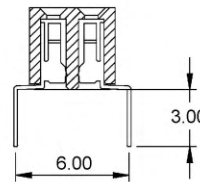
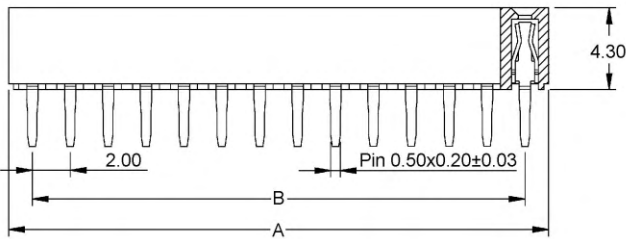
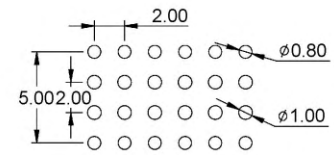
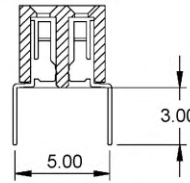
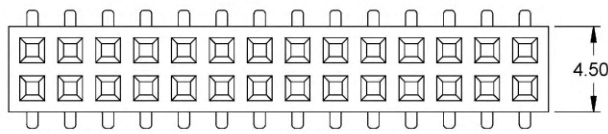
Voltage Rating: 150V AC,DC
 Current Rating: 1.5A
 Withstanding Voltage: 500V AC/minute
 Insulation Resistance: 1000 MΩ min.
 Temperature Range: -40°C ~ +105°C
 Contact Resistance: 20 mΩ max.

FEATURES

Sizes 4 to 80 dual row
 Suitable for 1.57mm thick PCB
 Mate with 0.50 mm square pin
 Packaging plastic tray or tube

MATERIAL

Insulator: G.F. PBT, UL94V-0
 Contact: Phosphor bronze
 Plating: Gold or Tin over Nickel



Recommended PCB Layout

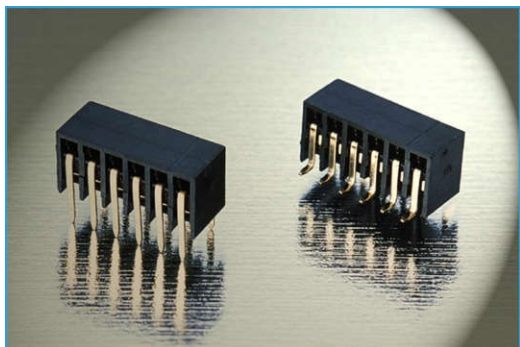
Poles	P/N I=5.00	P/N I=6.00	A(mm)	B(mm)
2+2	349500202xx	349600202xx	4.00	2.00
3+3	349500203xx	349600203xx	6.00	4.00
4+4	349500204xx	349600204xx	8.00	6.00
---		
---		
---		
---		
38+38	349500238xx	349600238xx	78.00	76.00
39+39	349500239xx	349600239xx	80.00	78.00
40+40	349500240xx	349600240xx	82.00	80.00

xx:GO= Gold plated ; xx:T= Tin plated

BOARD TO BOARD CONNECTORS

PCB female header p.2,0 mm - Side entry Type THT/SMT

A



SPECIFICATIONS

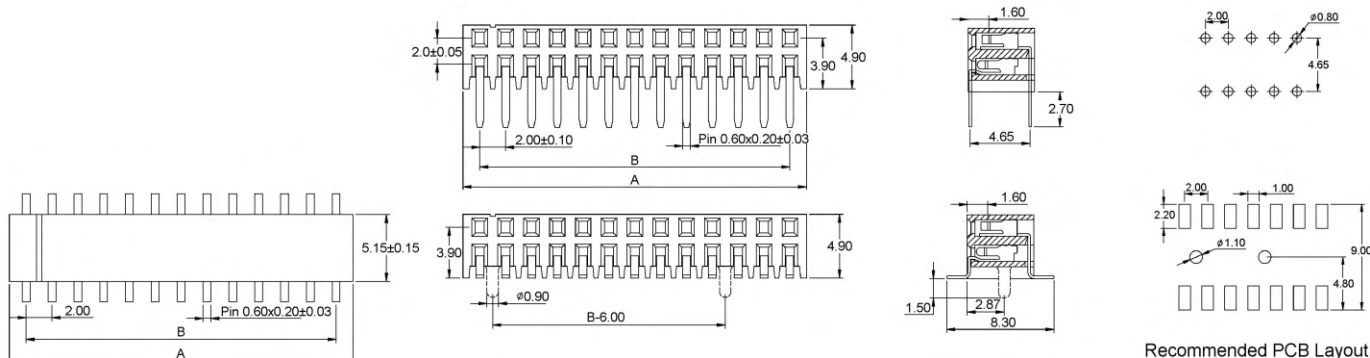
Voltage Rating: 150V AC,DC
 Current Rating: 1A
 Withstanding Voltage: 500V AC/minute
 Insulation Resistance: 1000 MΩ min.
 Temperature Range: -40°C ~ +105°C
 Contact Resistance: 20 mΩ max.

MATERIALS

Insulator: PBT, UL 94 V-0;
 Nylon 6T, UL94V-0 (SMT).
 Contact: Phosphor bronze
 Plating: Gold or Tin over Nickel

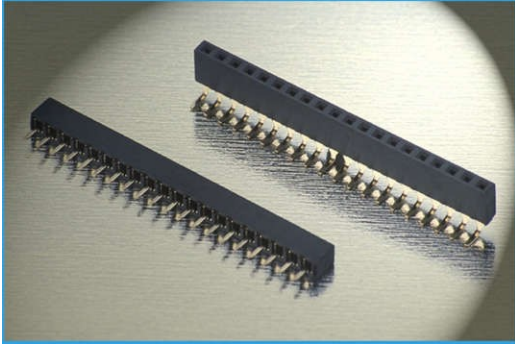
FEATURES

Sizes 4 to 80 double row
 Suitable for 1,57mm thick PCB
 Mate with 0,5 mm square pin
 Packaging Tube or Tape & reel



Poles	P/N THT	P/N SMT	A (mm)	B (mm)
2+2	962029xx-6	962020xx-6*	4.75	2.00
3+3	962039xx-6	962030xx-6*	6.75	4.00
4+4	962049xx-6	962040xx-6*	8.75	6.00
----		
----		
----		
----		
38+38	962389xx-6	962380xx-6*	76.75	74.00
39+39	962399xx-6	962390xx-6*	78.75	76.00
40+40	962409xx-6	962400xx-6*	80.75	78.00

xx:30= Gold plated ; xx:0= Tin plated
 *= For plastic peg option, add, P to the Part No.



SPECIFICATIONS

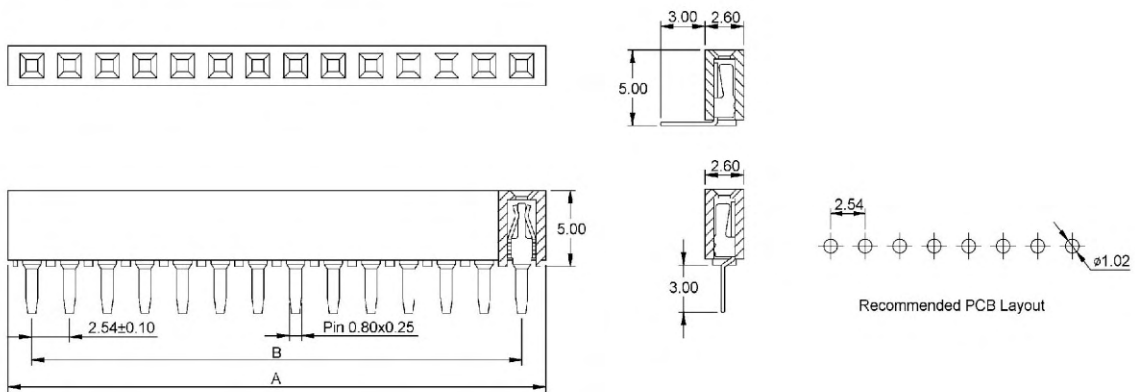
Voltage Rating: 250V AC,DC
 Current Rating: 3A
 Withstanding Voltage: 1500 V AC/minute
 Insulation Resistance: 5000 MΩ min.
 Temperature Range: -40°C ~ +105°C
 Contact Resistance: 20 mΩ max.

FEATURES

Sizes 2 to 40 single row
 4 to 80 double row
 Suitable for 1.57mm thick PCB
 Mate with 0.64 mm square pin
 Packaging plastic tray or tube

MATERIAL

Insulator: Polyester, UL 94 V-0
 Contact: Phosphor bronze
 Plating: Gold, Tin or Selective Gold over Nickel



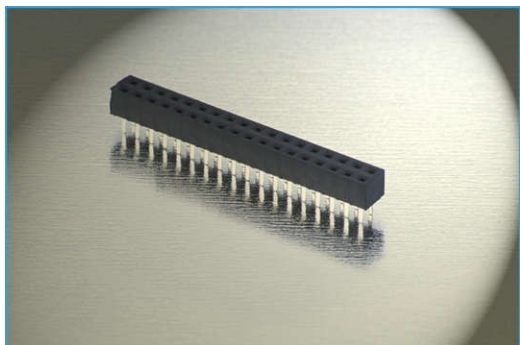
Poles	Part. No. 180°	Part. No. 90°	A (mm)	B (mm)
2	961022xx-5	961029xx-5	5.58	2.54
3	961032xx-5	961039xx-5	8.12	5.08
4	961042xx-5	961049xx-5	10.66	7.62
---			---	---
---			---	---
---			---	---
---			---	---
38	961382xx-5	961389xx-5	97.02	93.98
39	961392xx-5	961399xx-5	99.56	96.52
40	961402xx-5	961409xx-5	102.1	99.06

xx:30= Gold plated ; xx:0= Tin plated

BOARD TO BOARD CONNECTORS

PCB female header p.2,54 mm - double row H=5.0 mm THT 180°

A



SPECIFICATIONS

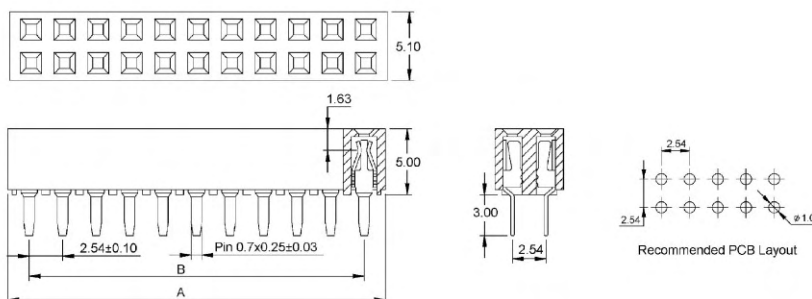
Voltage Rating: 250V, AC, DC
 Current Rating: 3A
 Withstanding Voltage: 1500 V AC/minute
 Insulation Resistance: 5000 MΩ min.
 Temperature Range: -40°C ~ +105°C
 Contact Resistance: 20 mΩ max.

FEATURES

Sizes: 2 to 40 single row
 4 to 80 double row
 Suitable for 1.57mm thick PCB
 Mate with 0.64 mm square pin
 Packaging plastic tray or tube

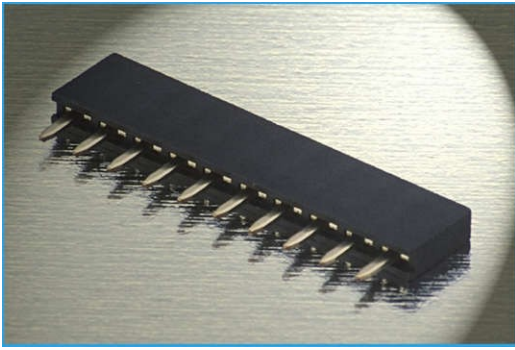
MATERIAL

Insulator: Polyester, UL 94 V-0
 Contact: Phosphor bronze
 Plating: Gold, Tin or Selective Gold over Nickel



Poles	Part. No.	A (mm)	B (mm)
2+2	962022xx-5	5.58	2.54
3+3	962032xx-5	8.12	5.08
4+4	962042xx-5	10.66	7.62
---	---	---	---
---	---	---	---
---	---	---	---
---	---	---	---
38+38	962382xx-5	97.02	93.98
39+39	962392xx-5	99.56	96.52
40+40	962402xx-5	102.1	99.06

xx:30= Gold plated ; xx:0= Tin plated



SPECIFICATIONS

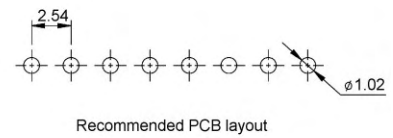
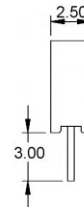
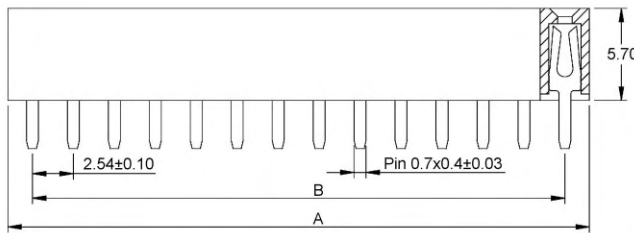
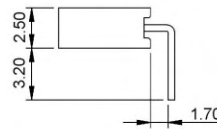
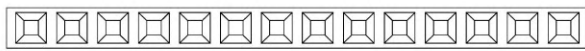
Voltage Rating: 250V AC, DC
 Current Rating: 3A
 Withstanding Voltage: 1500 V AC/minute
 Insulation Resistance: 5000 MΩ min.
 Temperature Range: -40°C ~ +105°C
 Contact Resistance: 20 mΩ max.

FEATURES

Sizes 2 to 40 single row
 4 to 80 double row
 Suitable for 1.57mm thick PCB
 Mate with 0.64 mm square pin
 Packaging plastic tray or tube

MATERIAL

Insulator: Polyester, UL 94 V-0
 Contact: Phosphor bronze
 Plating: Gold, Tin or Selective Gold over Nickel



Recommended PCB layout

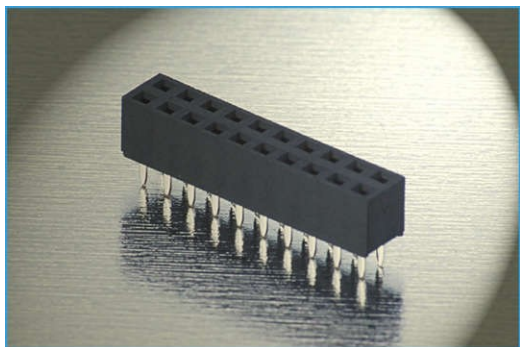
Poles	Part. No.	Part. No.	A (mm)	B (mm)
2	961022xx-57	961029xx-57	5.58	2.54
3	961032xx-57	961039xx-57	8.12	5.08
4	961042xx-57	961049xx-57	10.66	7.62
---			---	---
---			---	---
---			---	---
---			---	---
38	961382xx-57	961389xx-57	97.02	93.98
39	961392xx-57	961399xx-57	99.56	96.52
40	961402xx-57	961409xx-57	102.1	99.06

xx:30= Gold plated ; xx:0= Tin plated

BOARD TO BOARD CONNECTORS

PCB female header p.2,54 mm - double row H=5.7mm THT 90°/180°

A



SPECIFICATIONS

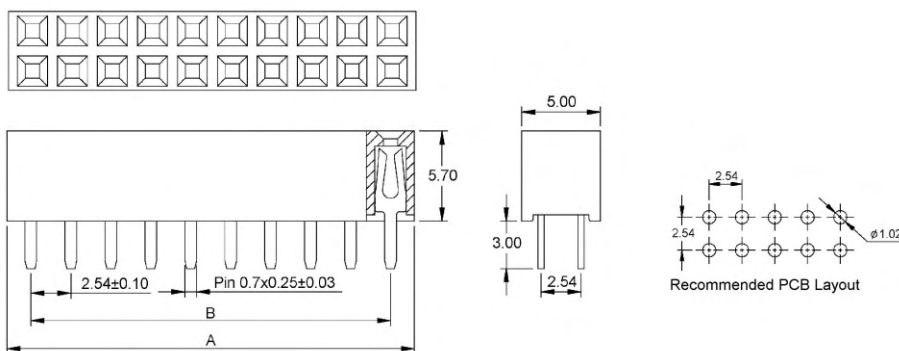
Voltage Rating: 250V AC,DC
 Current Rating: 3A
 Withstanding Voltage: 1500 V AC/minute
 Insulation Resistance: 5000 MΩ min.
 Temperature Range: -40°C ~ +105°C
 Contact Resistance: 20 mΩ max.

FEATURES

Sizes: 2 to 40 single row
 4 to 80 double row
 Suitable for 1.57mm thick PCB
 Mate with 0.64 mm square pin
 Packaging plastic tray or tube

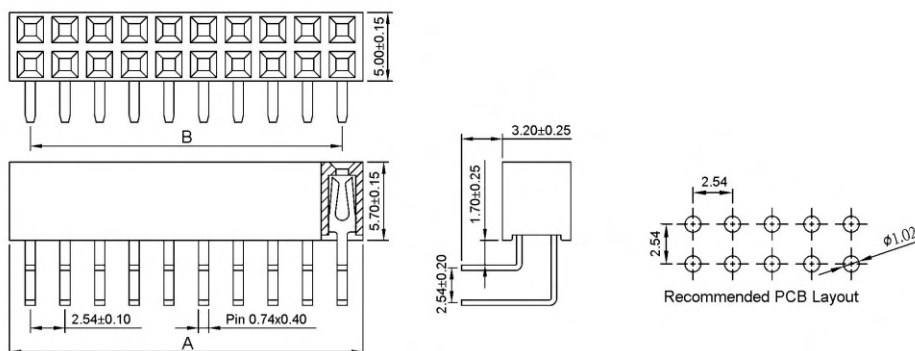
MATERIAL

Insulator: Polyester, UL 94 V-0
 Contact: Phosphor bronze
 Plating: Gold, Tin or Selective Gold over Nickel



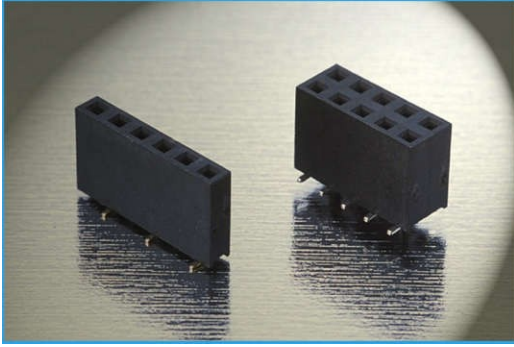
Poles	Part. No.	A (mm)	B (mm)
2+2	962022xx-57	5.58	2.54
3+3	962032xx-57	8.12	5.08
4+4	962042xx-57	10.66	7.62
---	---	---	---
---	---	---	---
---	---	---	---
38+38	962382xx-57	97.02	93.98
39+39	962392xx-57	99.56	96.52
40+40	962402xx-57	102.1	99.06

xx:30= Gold plated ; xx:0= Tin plated



Poles	Part. No.	A (mm)	B (mm)
2+2	962029xx-57	5.58	2.54
3+3	962039xx-57	8.12	5.08
4+4	962049xx-57	10.66	7.62
---	---	---	---
---	---	---	---
---	---	---	---
38+38	962389xx-57	97.06	93.98
39+39	962399xx-57	99.56	96.52
40+40	962409xx-57	102.1	99.06

xx:30= Gold plated ; xx:0= Tin plated



SPECIFICATIONS

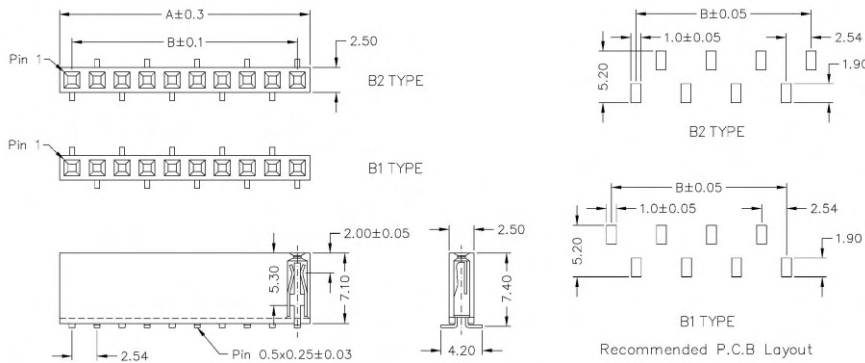
Voltage Rating: 250V AC,DC
 Current Rating: 3A
 Withstanding Voltage: 1500 V AC/minute
 Insulation Resistance: 5000 MΩ min.
 Temperature Range: -40°C ~ +105°C
 Current Rating: 20 mA max.

FEATURES

Sizes: 2 to 40 single row
 4 to 80 double row
 Mate with 0.64 mm square pin
 Packaging Tube or Tape & reel
 Vacuum pick&place cap optional

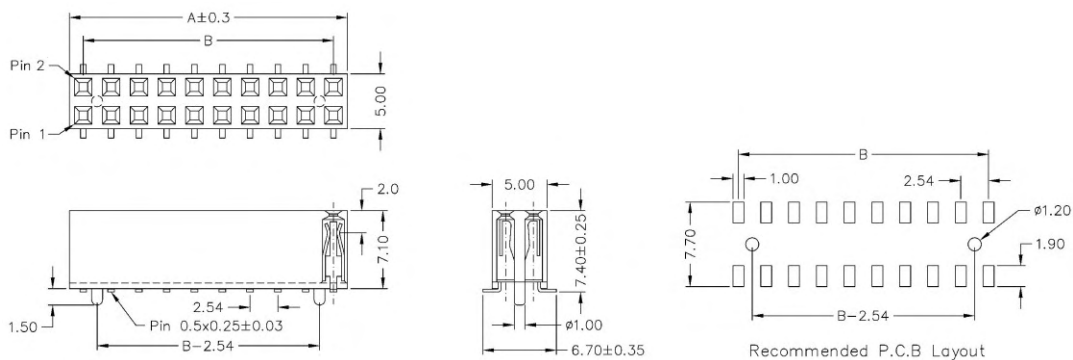
MATERIAL

Insulator: Nylon 6T , UL94V-0
 Contact: Phosphor bronze
 Plating: Gold or Tin over Nickel



Poles	P/N. type B1	P/N. type B2	A (mm)	B (mm)
2	961020xx-B1	961020xx-B2	5.08	2.54
3	961030xx-B1	961030xx-B2	7.62	5.08
4	961040xx-B1	96104030-B2	10.16	7.62
----	----	----	----	----
----	----	----	----	----
----	----	----	----	----
38	961380xx-B1	961380xx-B2	96.52	93.98
39	961390xx-B1	961390xx-B2	99.06	96.52
40	961400xx-B1	961400xx-B2	101.6	99.06

xx:30= Gold plated ; xx:0= Tin plated



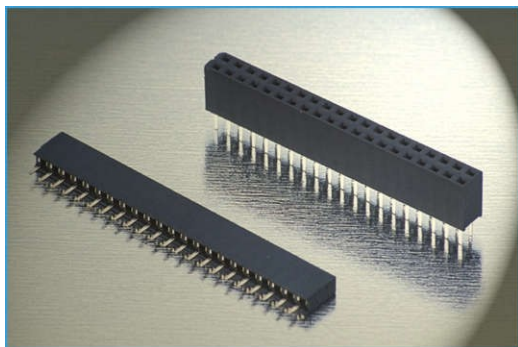
Poles	Part No.	A (mm)	B (mm)
2+2	962020xx*	5.08	2.54
3+3	962030xx*	7.62	5.08
4+4	962040xx*	10.16	7.62
----	----	----	----
----	----	----	----
----	----	----	----
38+38	962380xx*	96.52	96.98
39+39	962390xx*	99.06	96.52
40+40	962400xx*	101.6	99.06

xx:30= Gold plated ; xx:0= Tin plated;*= For plastic peg option, add, P to the Part No.

BOARD TO BOARD CONNECTORS

PCB female header p.2,54 mm - single/double row H=7.1 mm THT 180°

A



SPECIFICATIONS

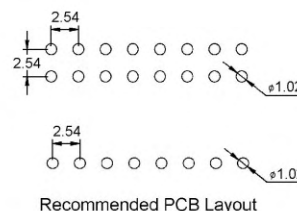
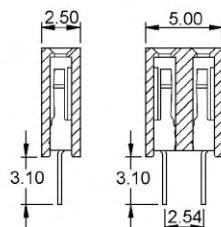
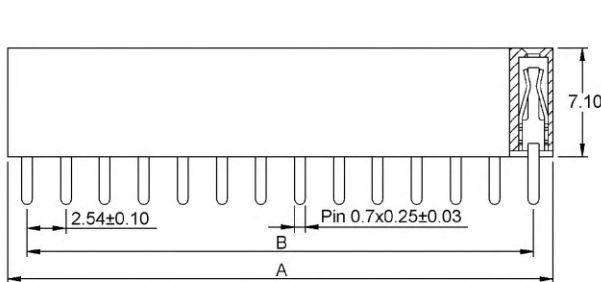
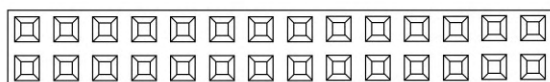
Voltage Rating: 250V AC,DC
 Current Rating: 3A
 Withstanding Voltage: 1500 V AC/minute
 Insulation Resistance: 5000 MΩ min.
 Temperature Range: -40°C ~ +105°C
 Contact Resistance: 20 mΩ max.

MATERIALS

Insulator: Polyester , UL 94 V-0
 Contact: Phosphor bronze
 Plating: gold, tin or selective gold over nickel

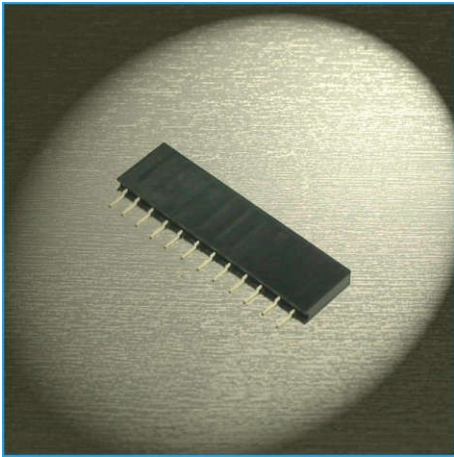
FEATURES

Sizes 2 to 40 single row
 4 to 80 double row
 Mate with 0,64 mm square pin
 Packaging plastic tray or tube



Poles	P/N, Single r.	P/N, Double r.	A (mm)	B (mm)
2	961022xx-71	962022xx-71	5.08	2.54
3	961032xx-71	962032xx-71	7.62	5.08
4	961042xx-71	962042xx-71	10.16	7.62
---			
---			
---			
---			
38	961382xx-71	962382xx-71	96.52	93.98
39	961392xx-71	962392xx-71	99.06	96.52
40	961402xx-71	962402xx-71	101.6	99.06

xx:30= Gold plated ; xx:0= Tin plated



SPECIFICATIONS

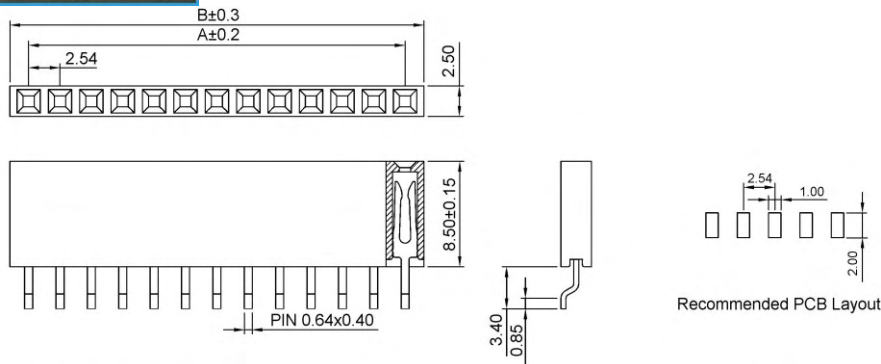
Voltage Rating: 250V AC,DC
 Current Rating: 3A
 Withstanding Voltage: 1500 V AC/minute
 Insulation Resistance: 5000 MΩ min.
 Temperature Range: -40°C ~ +105°C
 Current Rating: 20 mA max.

MATERIAL

Insulator: Nylon 6T , UL94V-0
 Contact: Copper alloy
 Plating: Gold or Tin over Nickel

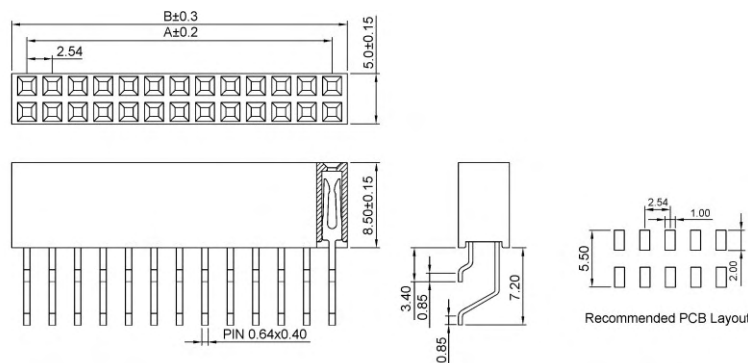
FEATURES

Sizes: 2 to 40 single row
 4 to 80 double row
 Mate with 0.64 mm square pin
 Packaging Tube or Tape & reel



Poles	Part. No.	A (mm)	B (mm)
2	96102Hxx	2.54	5.08
3	96103Hxx	5.08	7.62
4	96104Hxx	7.62	10.16
----	----	----	----
----	----	----	----
----	----	----	----
38	96138Hxx	93.98	96.52
39	96136Hxx	96.52	99.06
40	96140Hxx	99.06	101.6

xx:30= Gold plated ; xx:0= Tin plated



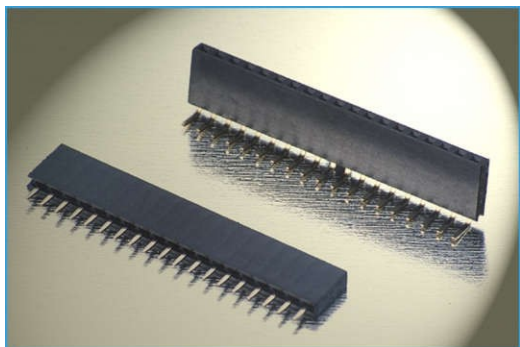
Poles	Part. No.	A (mm)	B (mm)
2+2	96202Hxx	2.54	5.08
3+3	96203Hxx	5.08	7.62
4+4	96204Hxx	7.62	10.16
----	----	----	----
----	----	----	----
----	----	----	----
38+38	96238Hxx	96.98	96.52
39+39	96239Hxx	96.52	99.06
40+40	96240Hxx	99.06	101.6

xx:30= Gold plated ; xx:0= Tin plated;

BOARD TO BOARD CONNECTORS

PCB female header p.2,54 mm - single row H=8,5mm THT 90/180°

A



SPECIFICATIONS

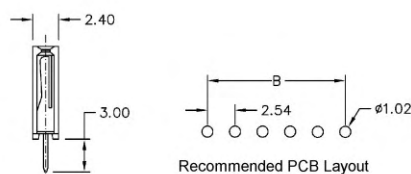
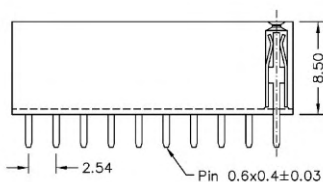
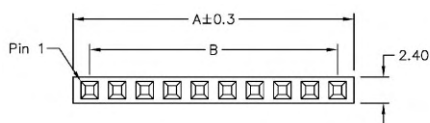
Voltage Rating: 250V AC,DC
 Current Rating: 3A
 Withstanding Voltage: 1500 V AC/minute
 Insulation Resistance: 5000 MΩ min.
 Temperature Range: -40°C ~ +105°C
 Contact Resistance: 20 mΩ max.

FEATURES

Sizes 2 to 40 single row
 4 to 80 double row
 Suitable for 1.57mm thick PCB
 Mate with 0.64 mm square pin
 Packaging plastic tray or tube

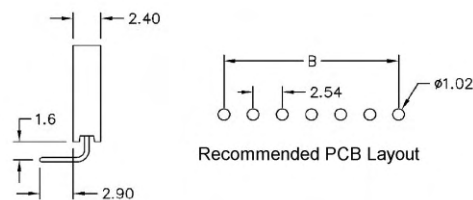
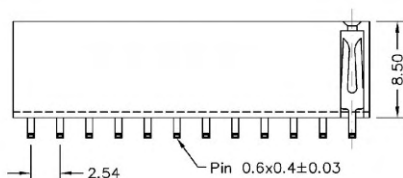
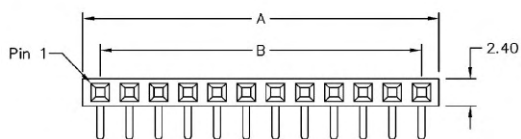
MATERIAL

Insulator: Polyester, UL 94 V-0
 Contact: Phosphor bronze
 Plating: Gold, Tin or Selective Gold over Nickel



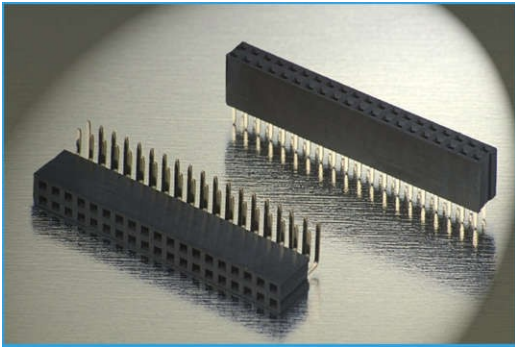
Poles	Part. No.	A (mm)	B (mm)
2	961022xx	5.08	2.54
3	961032xx	7.62	5.08
4	961042xx	10.16	7.62
---	---	---	---
---	---	---	---
---	---	---	---
38	961382xx	96.52	93.98
39	961392xx	99.06	96.52
40	961402xx	101.6	99.06

xx:30= Gold plated ; xx:0= Tin plated



Poles	Part. No.	A (mm)	B (mm)
2	961029xx	5.08	2.54
3	961039xx	7.62	5.08
4	961049xx	10.16	7.62
---	---	---	---
---	---	---	---
---	---	---	---
38	961389xx	96.52	93.98
39	961399xx	99.06	96.52
40	961409xx	101.6	99.06

xx:30= Gold plated ; xx:0= Tin plated



SPECIFICATIONS

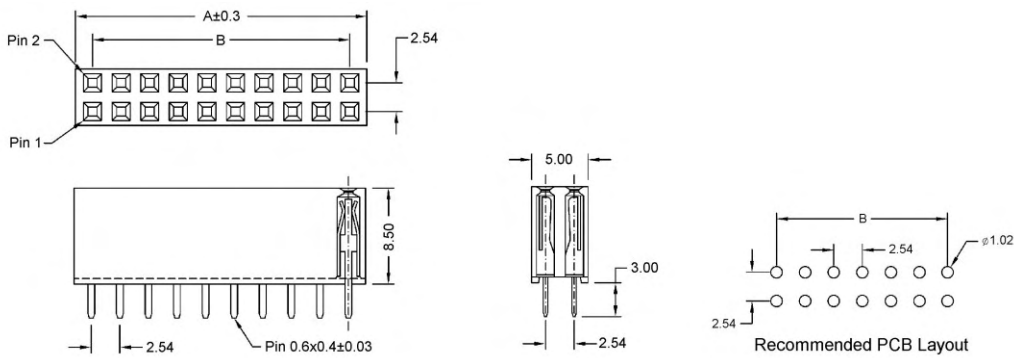
Voltage Rating: 250V AC,DC
 Current Rating: 3A
 Withstanding Voltage: 1500 V AC/minute
 Insulation Resistance: 5000 MΩ min.
 Temperature Range: -40°C ~ +105°C
 Contact Resistance: 20 mΩ max.

FEATURES

Sizes: 2 to 40 single row
 4 to 80 double row
 Suitable for 1.57mm thick PCB
 Mate with 0.64 mm square pin
 Packaging plastic tray or tube

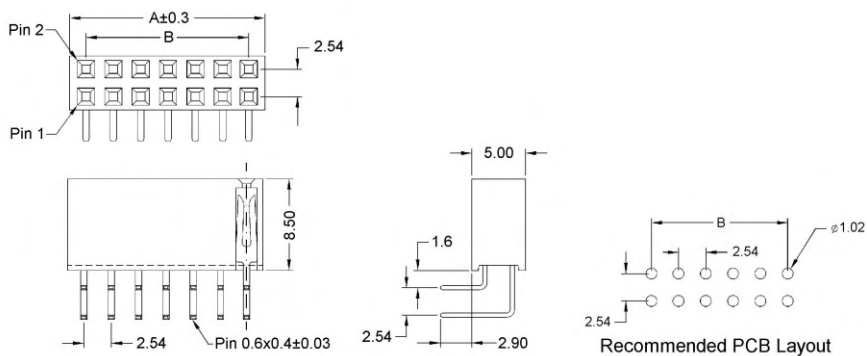
MATERIAL

Insulator: Polyester, UL 94 V-0
 Contact: Phosphor bronze
 Plating: Gold, Tin or Selective Gold over Nickel



Poles	Part. No.	A (mm)	B (mm)
2+2	962022xx	5.08	2.54
3+3	962032xx	7.62	5.08
4+4	962042xx	10.16	7.62
----	----	----	----
----	----	----	----
----	----	----	----
38+38	962382xx	96.52	93.98
39+39	962392xx	99.06	96.52
40+40	962402xx	101.6	99.06

xx:30= Gold plated ; xx:0= Tin plated



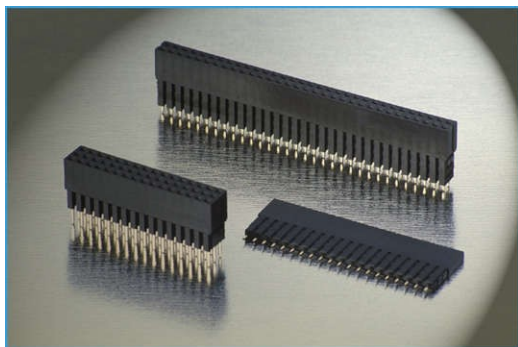
Poles	Part. No.	A (mm)	B (mm)
2+2	962029xx	5.58	2.54
3+3	962039xx	8.12	5.08
4+4	962049xx	10.66	7.62
----	----	----	----
----	----	----	----
----	----	----	----
38+38	962389xx	97.02	93.98
39+39	962399xx	99.56	96.52
40+40	962409xx	102.1	99.06

xx:30= Gold plated ; xx:0= Tin plated

BOARD TO BOARD CONNECTORS

PCB female header p.2,54 mm - PC104 THT 180°

A



SPECIFICATIONS

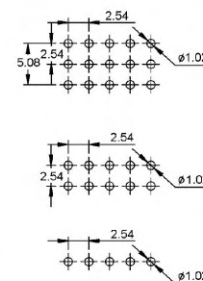
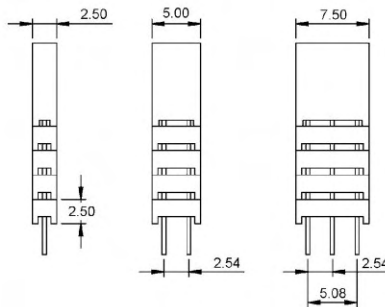
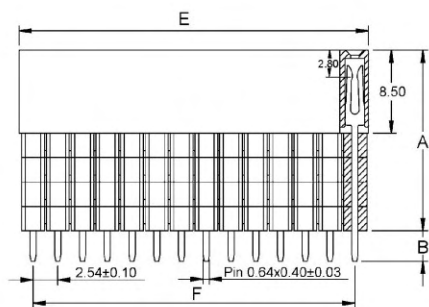
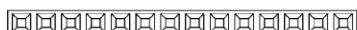
Voltage Rating: 250V AC,DC
 Current Rating: 3A max.
 Withstanding Voltage: 1500 V AC/minute
 Insulation Resistance: 5000 MΩ min.
 Temperature Range: -40°C ~ +105°C
 Contact Resistance: 20 mΩ max.

FEATURES

Sizes 3 to 40 single row
 6 to 80 double row
 9 to 120 triple row
 Suitable for 1.57mm thick PCB
 Mate with 0.64 mm square pin
 Packaging plastic tray or tube

MATERIAL

Insulator: Polyester, UL 94 V-0
 Contact: Copper alloy
 Plating: Gold or Tin over Nickel



Recommended PCB Layout

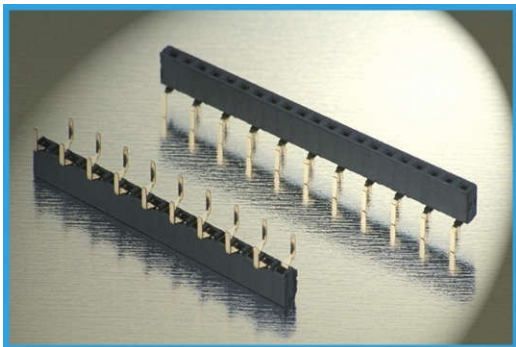
Poles	Part. No. 1 row	Part. No. 2 row	Part No. 3 row	A(mm)	B(mm)	E(mm)	F(mm)
40/80/120	961402xx-1W	962402xx-1W	963402xx-1W	11.05	2.30	102.1	99.06
40/80/120	961402xx-1Y	962402xx-1Y	963402xx-1Y	11.05	7.35	102.1	99.06
40/80/120	961402xx-2Y	962402xx-2Y	963402xx-2Y	13.59	4.85	102.1	99.06
40/80/120	961402xx-3Y	962402xx-3Y	963402xx-3Y	16.13	2.30	102.1	99.06
40/80/120	961402xx-1Z	962402xx-1Z	963402xx-1Z	11.05	12.20	102.1	99.06
40/80/120	961402xx-2Z	962402xx-2Z	963402xx-2Z	13.59	9.65	102.1	99.06
40/80/120	961402xx-3Z	962402xx-3Z	963402xx-3Z	16.13	7.10	102.1	99.06
40/80/120	961402xx-4Z	962402xx-4Z	963402xx-4Z	18.67	4.60	102.1	99.06

xx:30= Gold plated ; xx:0= Tin plated

BOARD TO BOARD CONNECTORS

PCB female header p.2,54 mm - Bottom entry single row THT 180° I=5,08

A



SPECIFICATIONS

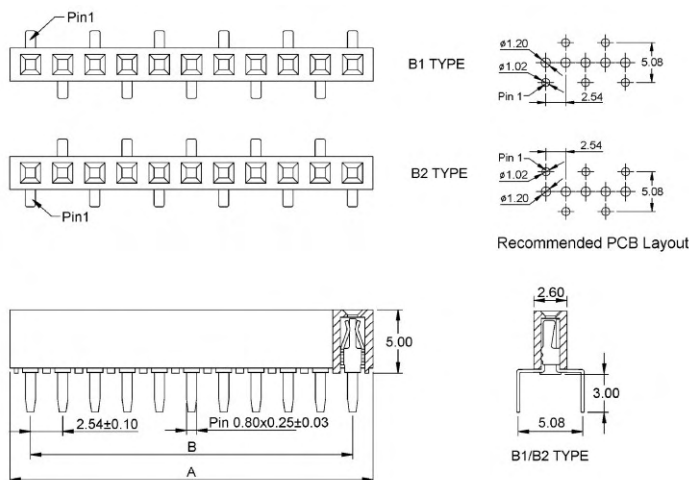
Voltage Rating: 250V AC,DC
 Current Rating: 3A
 Withstanding Voltage: 1500V AC/minute
 Insulation Resistance: 5000 MΩ min.
 Temperature Range: -40°C ~ +105°C
 Contact Resistance: 20 mΩ max.

FEATURES

Sizes 2 to 40 single row
 Suitable for 1.57mm thick PCB
 Mate with 0.64 mm square pin
 Packaging plastic tray or tube

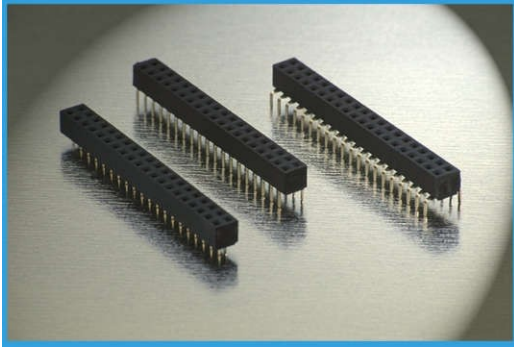
MATERIAL

Insulator: G.F. PBT, UL94V-0
 Contact: Phosphor bronze
 Plating: Gold or Tin over Nickel



Poles	Part. No. Au pl.	Part. No. Sn pl.	A(mm)	B(mm)
2	348508xx02GO	348508xx02T	5.08	2.54
3	348508xx03GO	348508xx03T	7.62	5.08
4	348508xx04GO	348508xx04T	10.16	7.62
5	348508xx05GO	348508xx05T	12.70	10.16
6	348508xx06GO	348508xx06T	15.24	12.70
7	348508xx07GO	348508xx07T	17.78	15.24
8	348508xx08GO	348508xx08T	20.32	17.78
9	348508xx09GO	348508xx09T	22.86	20.32
10	348508xx10GO	348508xx10T	25.40	22.86
11	348508xx11GO	348508xx11T	27.94	25.40
12	348508xx12GO	348508xx12T	30.48	27.94
13	348508xx13GO	348508xx13T	33.02	30.48
14	348508xx14GO	348508xx14T	35.56	33.02
15	348508xx15GO	348508xx15T	38.10	35.56
16	348508xx16GO	348508xx16T	40.64	38.10
17	348508xx17GO	348508xx17T	43.18	40.64
18	348508xx18GO	348508xx18T	45.72	43.18
19	348508xx19GO	348508xx19T	48.26	45.72
20	348508xx20GO	348508xx20T	50.80	48.26
21	348508xx21GO	348508xx21T	53.34	50.80
22	348508xx22GO	348508xx22T	55.88	53.34
23	348508xx23GO	348508xx23T	58.42	55.88
24	348508xx24GO	348508xx24T	60.96	58.42
25	348508xx25GO	348508xx25T	63.50	60.96
26	348508xx26GO	348508xx26T	66.04	63.50

xx: Select B1 or B2 type.



SPECIFICATIONS

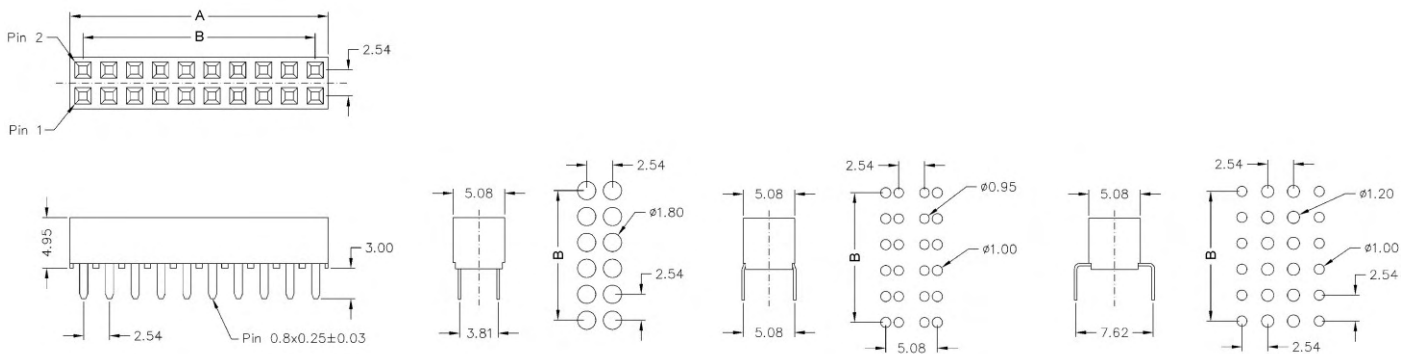
Voltage Rating: 250V AC,DC
 Current Rating: 3A
 Withstanding Voltage: 1500 V AC/minute
 Insulation Resistance: 5000 MΩ min.
 Temperature Range: -40°C ~ +105°C
 Contact Resistance: 20 mΩ max.

FEATURES

Sizes 4 to 80 dual row
 Suitable for 1.57mm thick PCB
 Mate with 0.64 mm square pin
 Packaging plastic tray or tube

MATERIAL

Insulator: G.F. PBT, UL94V-0
 Contact: Phosphor bronze
 Plating: Gold or tin over nickel



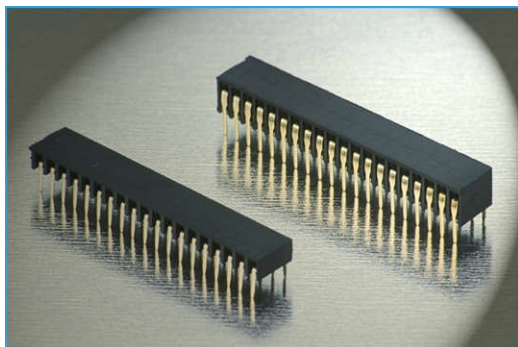
Poles	P/N, I=3,81	P/N, I=5,08	P/N, I=7,62	A(mm)	B(mm)
2+2	348381203xx	348508203xx	348762203xx	5.08	2.54
3+3	348381204xx	348508204xx	348762204xx	7.62	5.08
4+4	348381205xx	348508205xx	348762205xx	10.16	7.62
---	---	---	---	---	---
---	---	---	---	---	---
---	---	---	---	---	---
---	---	---	---	---	---
38+38	348381238xx	348508238xx	348762238xx	96.52	93.98
39+39	348381239xx	348508239xx	348762239xx	99.06	96.52
40+40	348381240xx	348508240xx	348762240xx	101.6	99.06

xx:GO= Gold plated ; xx:T= Tin plated

BOARD TO BOARD CONNECTORS

PCB female header p.2,54 mm - single/double row Side Entry Type

A



SPECIFICATIONS

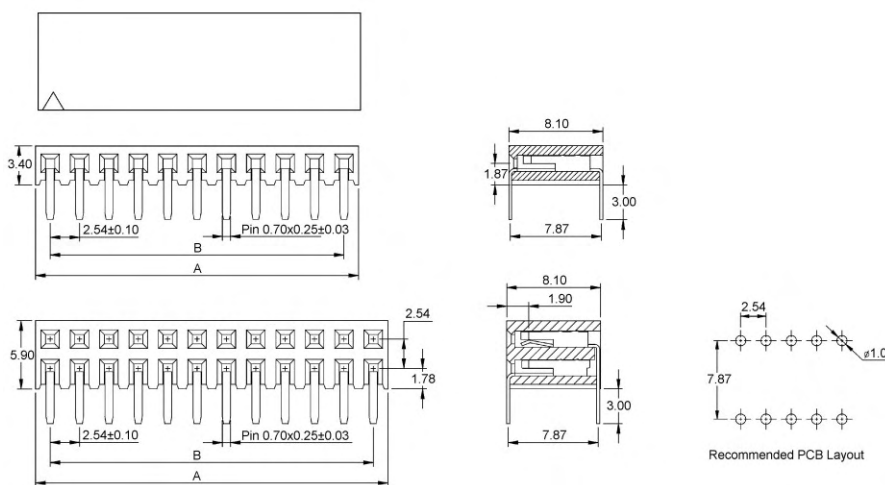
Voltage Rating: 250V AC,DC
 Current Rating: 3A
 Withstanding Voltage: 1500 V AC/minute
 Insulation Resistance: 5000 MΩ min.
 Temperature Range: -40°C ~ +105°C
 Contact Resistance: 20 mΩ max.

MATERIALS

Insulator: Polyester, UL 94 V-0
 Contact: Phosphor bronze
 Plating: Gold, Tin or Selective Gold over Nickel

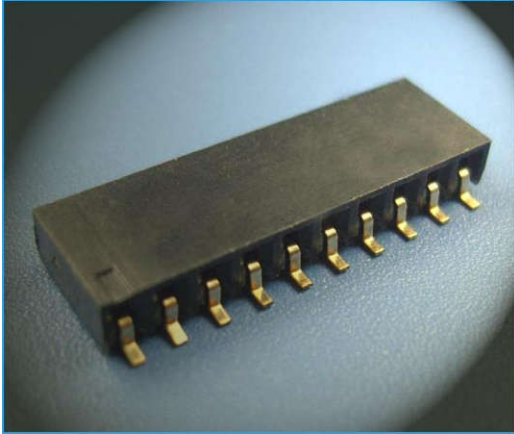
FEATURES

Sizes 2 to 40 single row
 4 to 80 double row
 Mate with 0,64 mm square pin
 Suitable for 1,57mm thick PCB
 Packaging plastic tray or tube



Poles	Part.No. 1 row	Part.No. 2 row	A (mm)	B (mm)
2	961029xx-4	962029xx-4	5.08	2.54
3	961039xx-4	962039xx-4	7.62	5.08
4	961049xx-4	962049xx-4	10.16	7.62
---			---	---
---			---	---
---			---	---
---			---	---
38	961389xx-4	962389xx-4	96.52	93.98
39	961399xx-4	962399xx-4	99.06	96.52
40	961409xx-4	962409xx-4	101.6	99.06

xx:30= Gold plated ; xx:0= Tin plated



SPECIFICATIONS

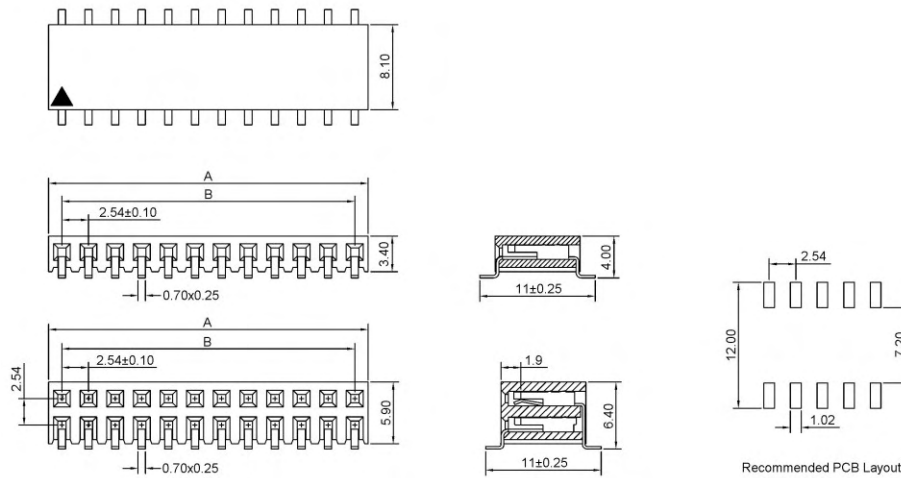
Voltage Rating: 250V AC,DC
 Current Rating: 3A
 Withstanding Voltage: 1500 V AC/minute
 Insulation Resistance: 5000 MΩ min.
 Temperature Range: -40°C ~ +105°C
 Contact Resistance: 20 mΩ max.

MATERIALS

Insulator: Nylon 9T, UL 94 V-0
 Contact: Phosphor bronze
 Plating: Gold or Tin over Nickel

FEATURES

Sizes 2 to 40 single row
 4 to 80 double row
 Mate with 0,64 mm square pin
 Packaging Tube or Tape & reel



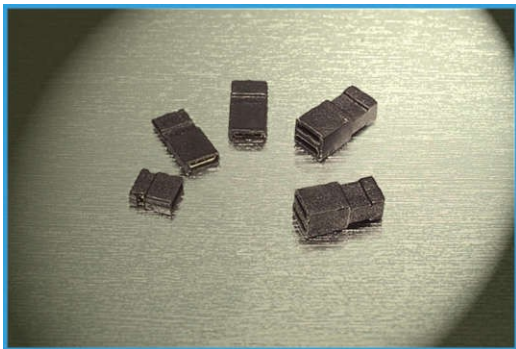
Poles	P/N 1 row	P/N 2 row	A (mm)	B (mm)
2	961020xx-4	962020xx-4	5.38	2.54
3	961030xx-4	962030xx-4	7.92	5.08
4	961040xx-4	962040xx-4	10.36	7.62
---			---	---
---			---	---
---			---	---
---			---	---
38	961380xx-4	962380xx-4	96.82	93.98
39	961390xx-4	962390xx-4	99.36	96.52
40	961400xx-4	962400xx-4	101.9	99.06

xx:30= Gold plated ; xx:0= Tin plated

BOARD TO BOARD CONNECTORS

Mini Jumper - p. 1.27 mm

A



SPECIFICATIONS

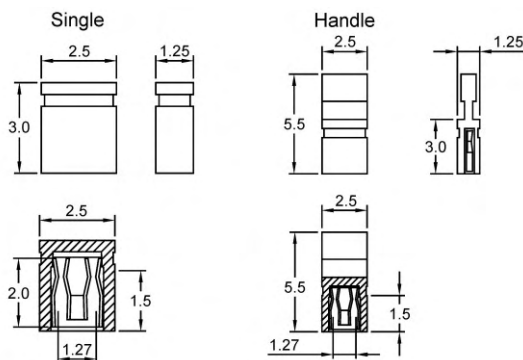
Current Rating: 1 A max.
 Contact Resistance: 20 mΩ max.
 Insulation Resistance: 1000 MΩ min.
 Withstanding Voltage: 500V AC/minute
 Temperature Range: -40°C ~ +105°C

FEATURES

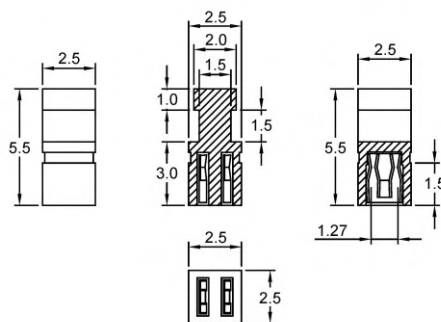
Mate with 0.46 mm square pin
 Packaging plastic bag

MATERIAL

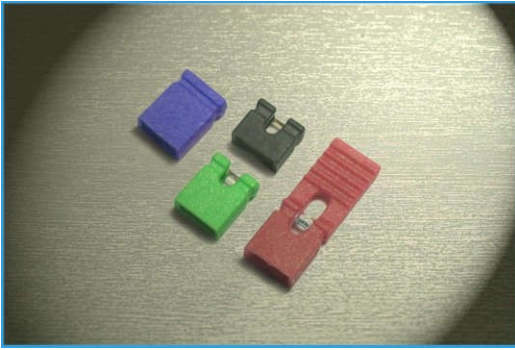
Insulator: G.F. PBT, UL94V-0
 Contact: Copper alloy
 Plating: Gold over Nickel



Type	P/N Gold pl.	P/N Tin pl.
Single	5036802030	503680200
Handle	5036802030-L	503680200-L



Type	P/N Gold pl.	P/N Tin pl.
Double	5036804030	503680400



SPECIFICATIONS

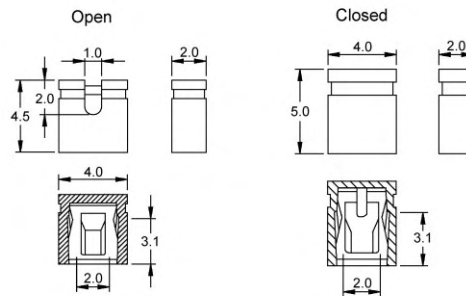
Current Rating: 1 A max.
 Contact Resistance: 20 mΩ max.
 Insulation Resistance: 1000 MΩ min.
 Withstanding Voltage: 500V AC/minute
 Temperature Range: -40°C ~ +105°C

FEATURES

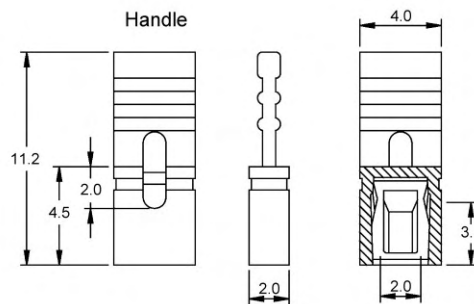
Mate with 0.50 mm square pin
 Packaging plastic bag

MATERIAL

Insulator: G.F. PBT, UL94V-0
 Contact: Copper alloy
 Plating: Gold over Nickel



Type	P/N Gold pl.	P/N Tin pl.
Closed	5736802030-C	573680200-C
Open	5736802030	573680200

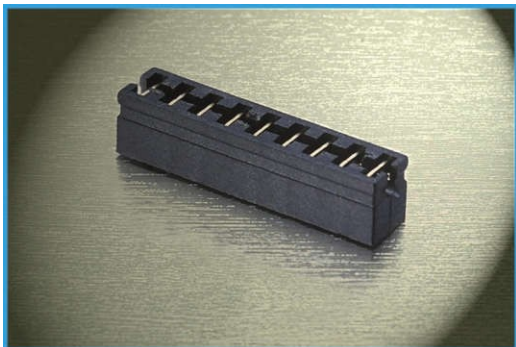


Type	Part. No.
Gold plated	5736802030-L
Tin Plated	573680200-L

BOARD TO BOARD CONNECTORS

Mini Jumper - p. 2,00 mm parallel type

A



SPECIFICATIONS

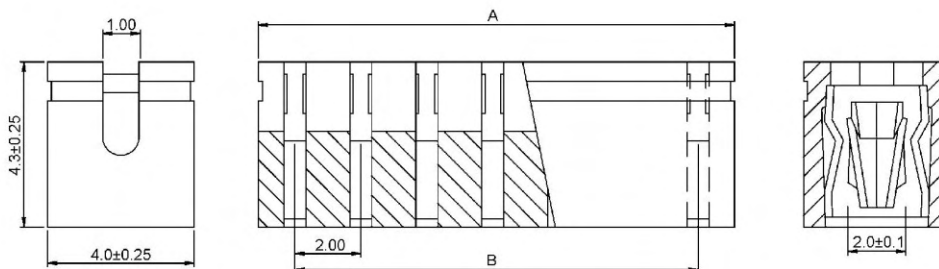
Current Rating: 1 A max.
 Contact Resistance: 20 mΩ max.
 Insulation Resistance: 1000 mΩ min
 Withstanding Voltage: 500V AC/minute
 Temperature Range: -40°C ~ +105°C

FEATURES

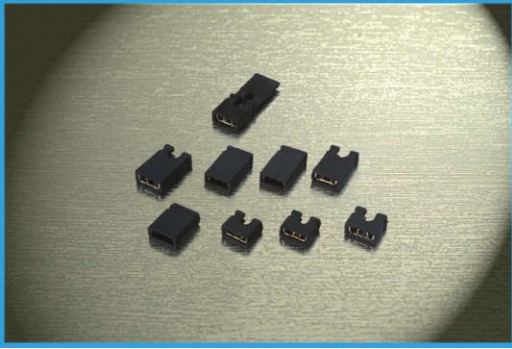
Size 2 to 10 poles
 Mate with 0.50 mm square pin
 Packaging plastic bag

MATERIAL

Insulator: G.F. PBT, UL94V-0
 Contact: Copper alloy
 Plating: Gold over nickel



Poles	P/N Gold pl.	P/N Tin pl.	A (mm)	B (mm)
2	5736802030-P	573680200-P	2.00	4.00
3	5736803030-P	573680300-P	4.00	6.00
4	5736804030-P	573680400-P	6.00	8.00
5	5736805030-P	573680500-P	8.00	10.00
6	5736806030-P	573680600-P	10.00	12.00
7	5736807030-P	573680700-P	12.00	14.00
8	5736808030-P	573680800-P	14.00	16.00
9	5736809030-P	573680900-P	16.00	18.00
10	5736810030-P	573681000-P	18.00	20.00



SPECIFICATIONS

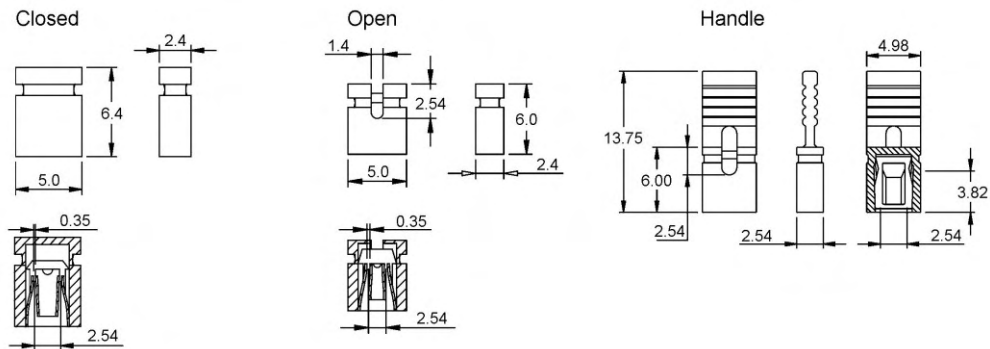
Current Rating: 3A
 Withstanding Voltage: 1000V AC/minute
 Insulation Resistance: 1000 MΩ min.
 Contact Resistance: 20 mΩ max.
 Temperature Range: -40°C ~ +105°C

FEATURES

Mate with 0.64 mm square pin
 Packaging plastic bag

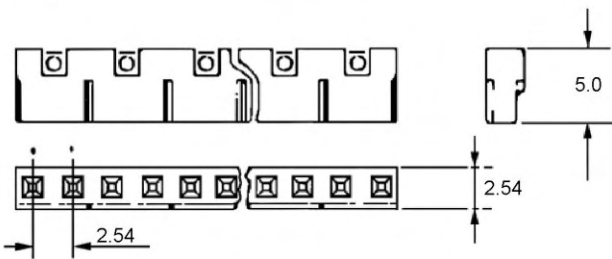
MATERIAL

Insulator: G.F. PBT, UL94V-0
 Contact: Copper alloy
 Plating: Gold or Tin over Nickel

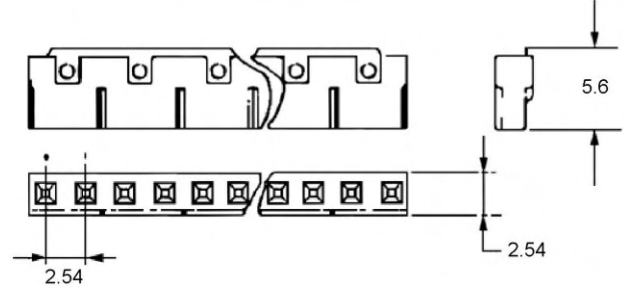


Type	P/N Tin pl.	P/N Gold pl.
Open	513680200	5136802030
Closed	513680200-C	5136802030-C
Handle	513680200-L	5136802030-L

In Line



Bus Bar

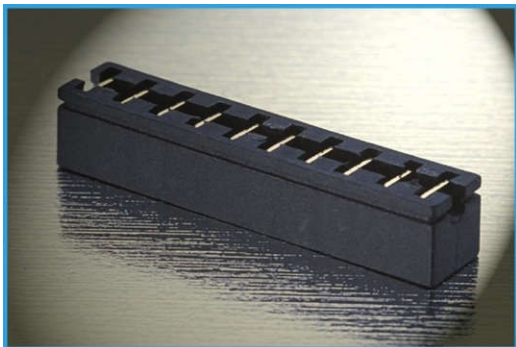


Type	P/N Tin pl.	P/N Gold pl.
In Line	513680400	5136804030
Bus Bar	513680200-BB	5136802030-BB

BOARD TO BOARD CONNECTORS

Mini Jumper - p. 2,54 mm parallel type

A



SPECIFICATIONS

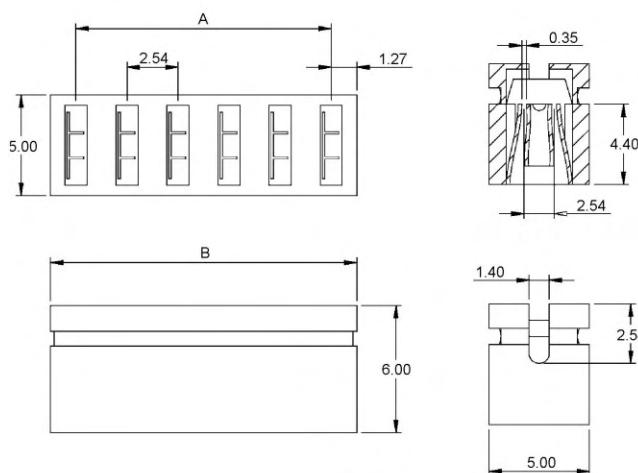
Current Rating: 3A
 Withstanding Voltage: 1000V AC/minute
 Insulation Resistance: 1000 MΩ min.
 Contact Resistance: 20 mΩ max.
 Temperature Range: -40°C ~ +105°C

FEATURES

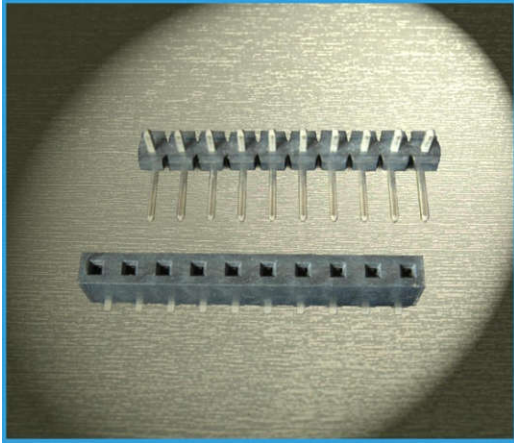
Size 2 to 10 poles
 Mate with 0.64 mm square pin
 Packaging plastic bag

MATERIAL

Insulator: G.F. PBT, UL94V-0
 Contact: Copper alloy
 Plating: Gold or Tin over Nickel



Poles	P/N Gold pl.	P/N Tin pl.	A (mm)	B (mm)
2	5136802030-P	513680200-P	2.54	5.08
3	5136803030-P	513680300-P	5.08	7.62
4	5136804030-P	513680400-P	7.62	10.16
5	5136805030-P	513680500-P	10.16	12.70
6	5136806030-P	513680600-P	12.70	15.24
7	5136807030-P	513680700-P	15.24	17.78
8	5136808030-P	513680800-P	17.78	20.32
9	5136809030-P	513680900-P	20.32	22.86
10	5136810030-P	513681000-P	22.86	25.40



SPECIFICATIONS

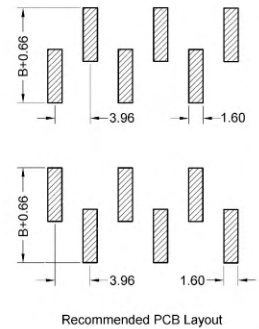
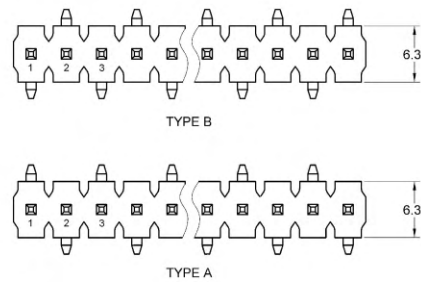
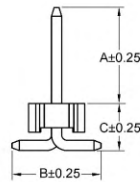
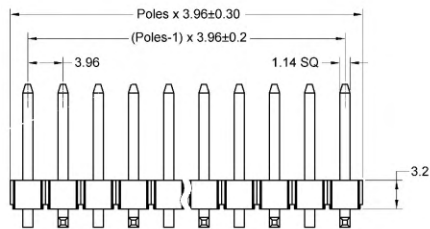
Current Rating: 7A AC,DC
 Withstanding Voltage: 1000 V AC,DC
 Insulation Resistance: 1000 MΩ min.
 Temperature Range: -40°C ~ +105°C
 Contact Resistance: 20 mΩ max.

FEATURES

Sizes 2 to 24 single row
 Packaging Tube (tape&reel option available)
 Vacuum pick&place cap optional

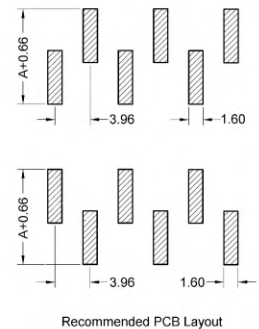
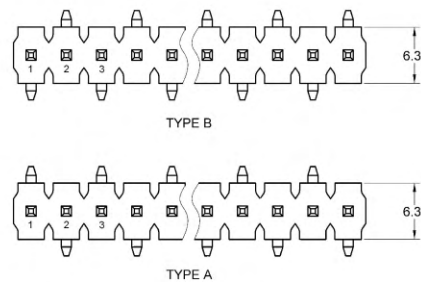
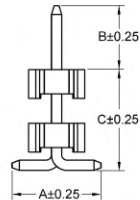
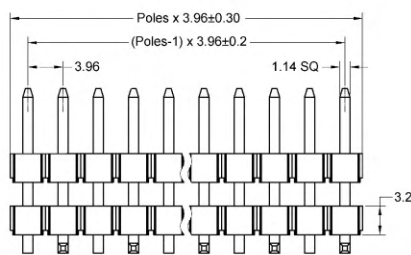
MATERIAL

Insulator: G.F. Polyester, UL94V-0
 Contact: Brass
 Plating: Tin or Gold over Nickel



Poles	P/N Tin pl.	P/N Gold pl.	A (mm)	B (mm)	C (mm)	Layout
02-24	PH3961xx00151A	PH3961xx0311151A	10.4	10.0	4.7	Type A
02-24	PH3961xx00151B	PH3961xx0311151B	10.4	10.0	4.7	Type B

xx=n° of poles 02-24



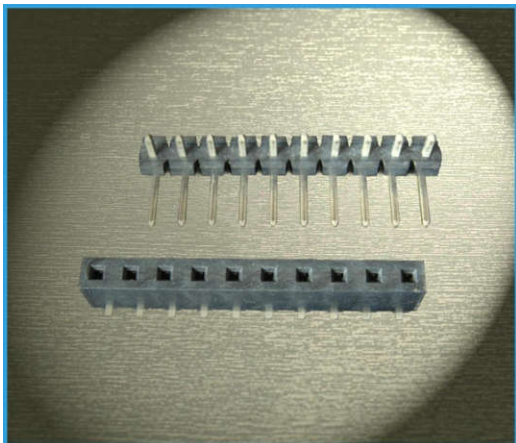
Poles	P/N Tin pl.	P/N Gold pl.	A (mm)	B (mm)	C (mm)	Layout
02-24	PH3961xx00HHHAD	PH3961xx031HHHAD	10.0	According to	According to	Type A
02-24	PH3961xx00HHHBD	PH3961xx031HHHBD	10.0	Customer Specs.	Customer Specs.	Type B

xx=n° of poles 02-24

BOARD TO BOARD CONNECTORS

Pin strip p.3,96 mm - single row THT 90/180°

A



SPECIFICATIONS

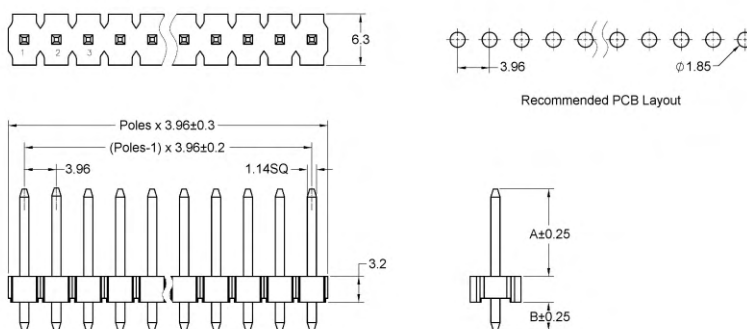
Current Rating: 7A AC,DC
 Withstanding Voltage: 1000 V AC,DC
 Insulation Resistance: 1000 MΩ min.
 Temperature Range: -40°C ~ +105°C
 Contact Resistance: 20 mΩ max.

FEATURES

Sizes 2 to 24 single row
 Suitable for 1.57mm thick PCB
 Packaging bag

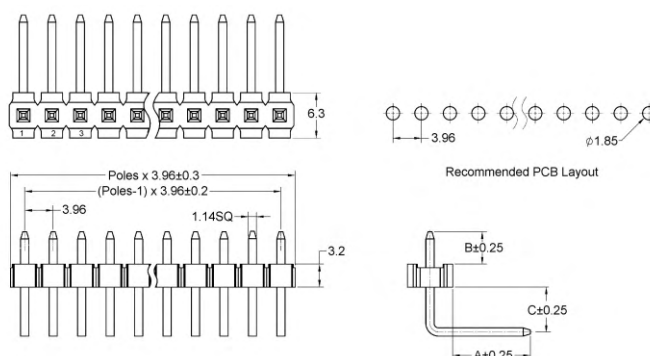
MATERIAL

Insulator: G.F. Polyester, UL94V-0
 Contact: Brass
 Plating: Tin or Gold over Nickel



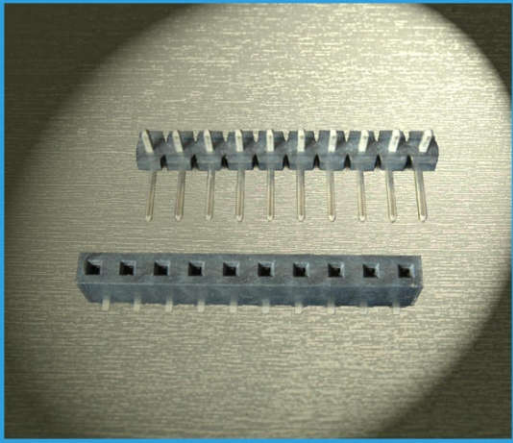
Poles	P/N Tin pl.	P/N Gold pl.	A (mm)	B (mm)	OAL (mm)
02-24	PH3961xx20190	PH3961xx231190	11.45	4.45	19.08
02-24	PH3961xx20203	PH3961xx231203	12.70	4.45	20.33
02-24	PH3961xx20277	PH3961xx231277	20.55	4.00	27.73
02-24	PH3961xx20191	PH3961xx231191	3.81	12.07	19.06

xx=n° of poles 02-24



Poles	P/N Tin pl.	P/N Gold pl.	A (mm)	B (mm)	C (mm)
02-24	PH3961xx90134	PH3961xx931134	8.15	4.45	5.73
02-24	PH3961xx90153	PH3961xx931153	13.60	4.00	8.13
02-24	PH3961xx90172	PH3961xx931172	10.75	4.50	9.48

xx=n° of poles 02-24



SPECIFICATIONS

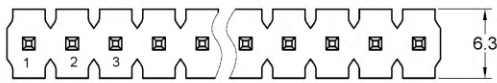
Current Rating: 7A, AC,DC
 Withstanding Voltage: 1000 V AC,DC
 Insulation Resistance: 1000 MΩ min.
 Temperature Range: -40°C ~ +105°C
 Contact Resistance: 20 mΩ max.

FEATURES

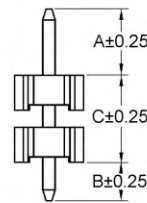
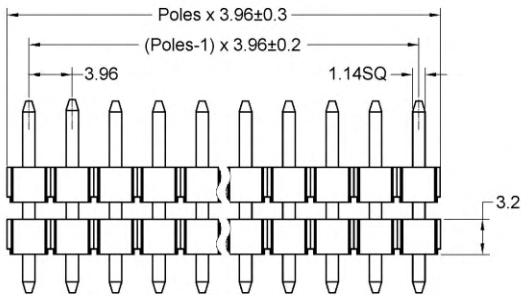
Sizes 1 to 24 single row
 Suitable for 1.57mm thick PCB
 Packaging bag

MATERIAL

Insulator: G.F. Polyester, UL94V-0
 Contact: Brass
 Plating: Tin or Gold over Nickel



Recommended PCB Layout



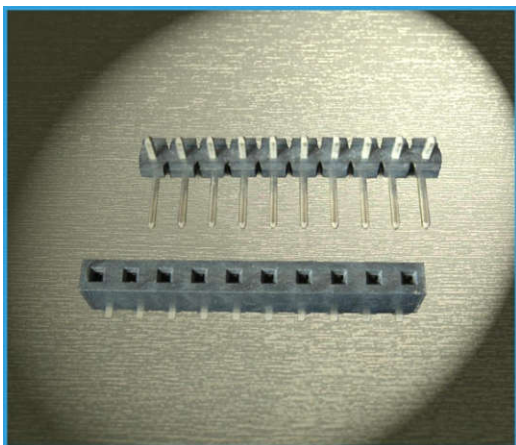
Poles	P/N Tin pl.	P/N Gold pl.	A (mm)	C (mm)	B (mm)
01-24	PH3961xx20HHHD	PH3961xx230HHHD	According to Customer soecs.	According to Customer soecs.	4.45

xx=n° of poles 01-24

BOARD TO BOARD CONNECTORS

Pin strip p.5,08 mm - single row SMT 180°

A



SPECIFICATIONS

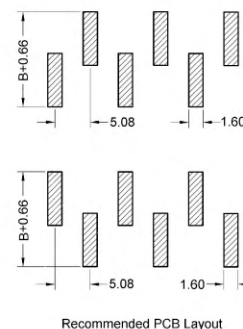
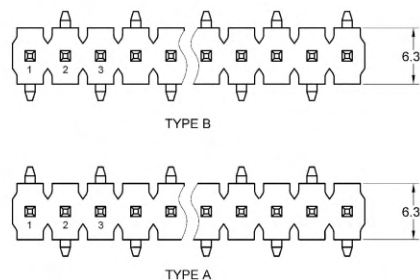
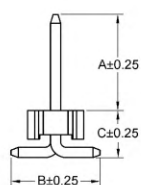
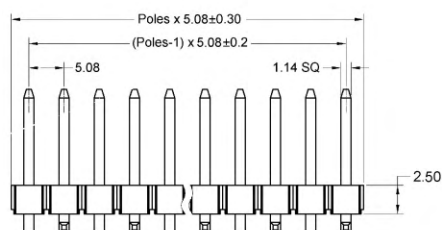
Current Rating: 7A, AC,DC
 Withstanding Voltage: 1000 V AC,DC
 Insulation Resistance: 1000 MΩ min.
 Temperature Range: -40°C ~ +105°C
 Contact Resistance: 20 mΩ max.

FEATURES

Sizes 2 to 20 single row
 Packaging Tube or Tape&reel (optional)
 Vacuum pick&place cap optional

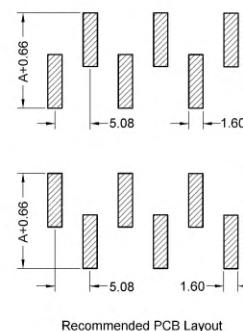
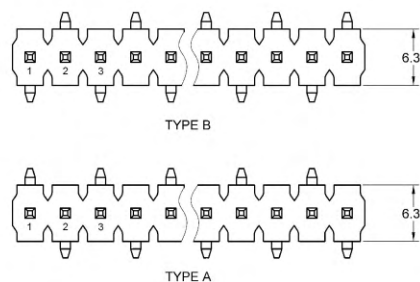
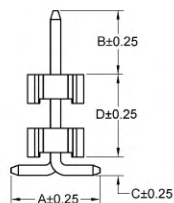
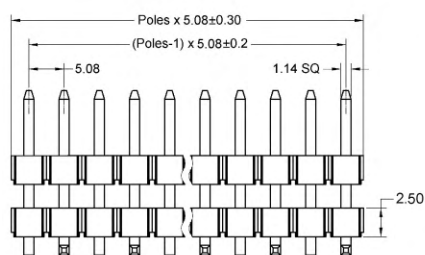
MATERIAL

Insulator: G.F. Polyester, UL94V-0
 Contact: Brass
 Plating: Tin or Gold over Nickel



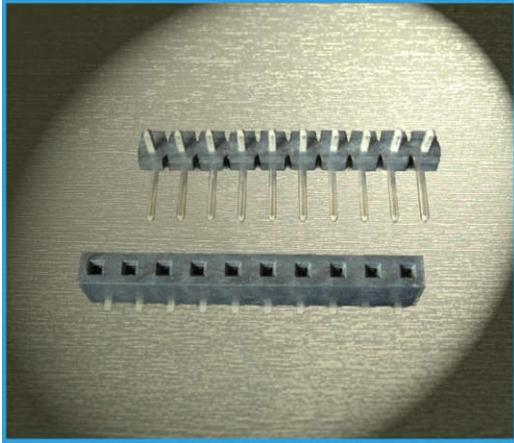
Poles	P/N Tin pl.	P/N Gold pl.	A (mm)	B (mm)	C (mm)	Layout
02-20	PH5081xx00122A	PH5081xx031122A	7.25	10.0	5.0	Type A
02-20	PH5081xx00157A	PH5081xx031127A	10.7	10.0	5.0	Type A
02-20	PH5081xx00162A	PH5081xx031162A	12.2	10.0	4.0	Type A
02-20	PH5081xx00122B	PH5081xx031122B	7.25	10.0	5.0	Type B
02-20	PH5081xx00157B	PH5081xx031127B	10.7	10.0	5.0	Type B
02-20	PH5081xx00162B	PH5081xx031162B	12.2	10.0	4.0	Type B

xx=n° of poles 02-20



Poles	P/N Tin pl.	P/N Gold pl.	A (mm)	B (mm)	D (mm)	Layout
02-20	PH5081xx00HHHAD	PH5081xx031HHHAD	10.0	According to	According to	Type A
02-20	PH5081xx00HHHBD	PH5081xx031HHHBD	10.0	Customer Specs.	Customer Specs.	Type B

xx=n° of poles 02-20



SPECIFICATIONS

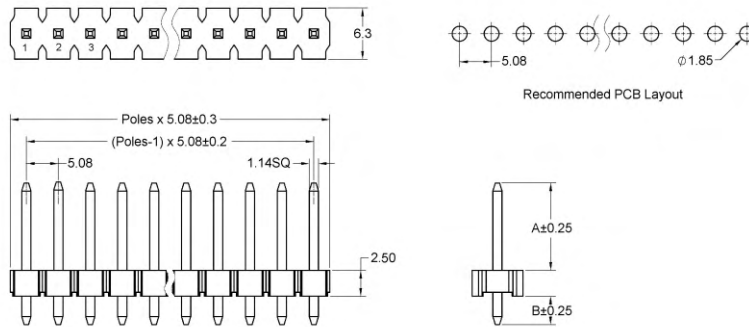
Current Rating: 7A AC,DC
 Withstanding Voltage: 1000 V AC,DC
 Insulation Resistance: 1000 MΩ min.
 Temperature Range: -40°C ~ +105°C
 Contact Resistance: 20 mΩ max.

FEATURES

Sizes 2 to 20 single row
 Suitable for 1.57mm thick PCB
 Packaging bag

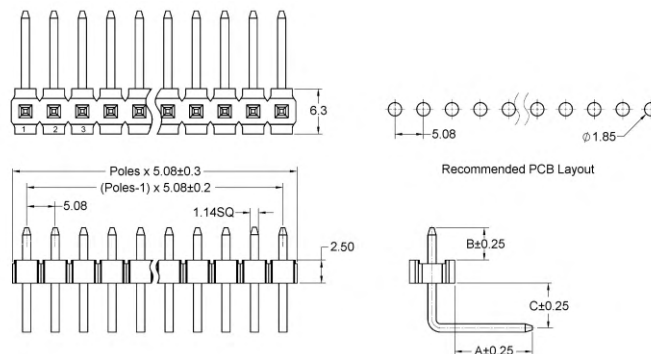
MATERIAL

Insulator: G.F. Polyester, UL94V-0
 Contact: Brass
 Plating: Tin or Gold over Nickel



Poles	P/N Tin pl.	P/N Gold pl.	A (mm)	B (mm)	OAL (mm)
02-20	PH5081xx20190	PH5081xx231190	11.95	4.55	19.00
02-20	PH5081xx20202	PH5081xx231202	13.20	4.55	20.25
02-20	PH5081xx00276	PH5081xx231276	21.05	4.10	27.65
02-20	PH5081xx20108	PH5081xx231108	3.80	4.55	10.85

xx=n° of poles 02-20



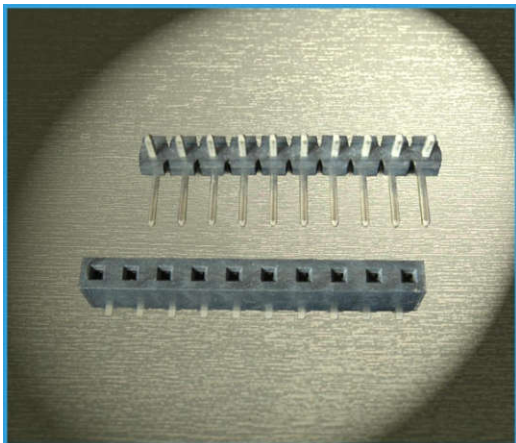
Poles	P/N Tin pl.	P/N Gold pl.	A (mm)	B (mm)	C (mm)
02-20	PH5081xx90075	PH5081xx931075	8.1	4.55	2.54
02-20	PH5081xx90096	PH5081xx931096	13.8	4.00	4.95

xx=n° of poles 02-20

BOARD TO BOARD CONNECTORS

Pin strip p.5,08 mm - single row THT 180° Dual Insulator

A



SPECIFICATIONS

Current Rating: 7A AC,DC
 Withstanding Voltage: 1000 V AC,DC
 Insulation Resistance: 1000 MΩ min.
 Temperature Range: -40°C ~ +105°C
 Contact Resistance: 20 mΩ max.

MATERIAL

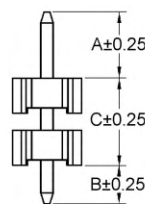
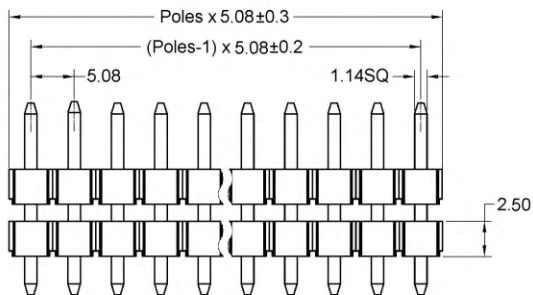
Insulator: G.F. Polyester, UL94V-0
 Contact: Brass
 Plating: Tin or Gold over Nickel

FEATURES

Sizes 2 to 20 single row
 Suitable for 1.57mm thick PCB
 Packaging bag

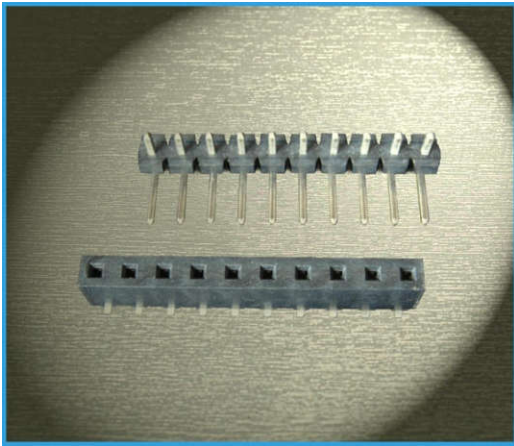


Recommended PCB Layout



Poles	P/N Tin pl.	P/N Gold pl.	A (mm)	C (mm)	B (mm)
02-20	PH5081xx20HHHD	PH5081xx230HHHD	According to Customer soecs.	According to Customer soecs.	4.45

xx=n° of poles 02-20



SPECIFICATIONS

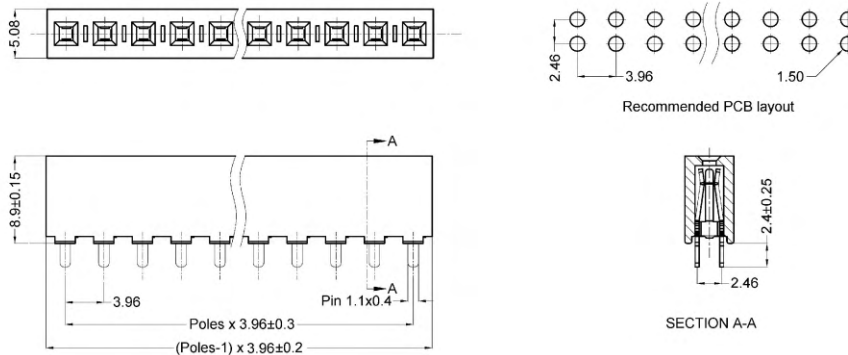
Current Rating: 7A AC,DC
 Withstanding Voltage: 1000 V AC,DC
 Insulation Resistance: 1000 MΩ min.
 Temperature Range: -40°C ~ +105°C
 Contact Resistance: 20 mΩ max.

FEATURES

Sizes 2 to 24 single row
 Suitable for 1.57mm thick PCB
 Mate with 1,14 mm square pin
 Packaging tube or Tape&reel (optional)
 Vacuum pick&place cap optional

MATERIAL

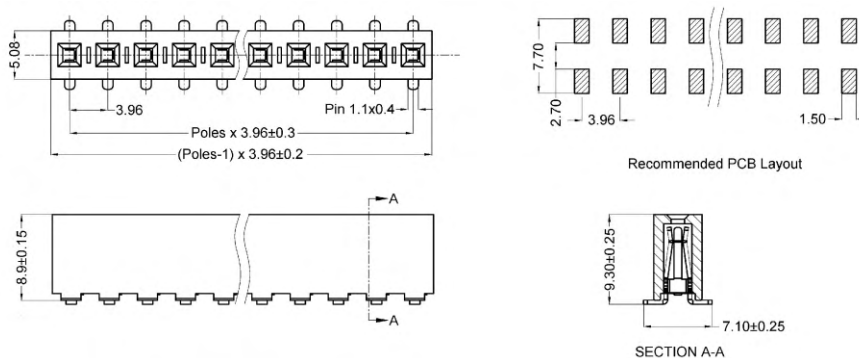
Insulator: G.F. Polyester, UL94V-0
 Contact: Phosphor bronze (BeCu optional)
 Plating: Tin or Gold over Nickel



Poles	P/N Tin pl.	P/N Gold pl.
02	PS396x0220	PS396x02230
03	PS396x0320	PS396x03230

23	PS396x2320	PS396x23230
24	PS396x2420	PS396x24230

x= Select the requested contact material: P=Phos.Bronze B=Berillium copper



Poles	P/N Tin pl.	P/N Gold pl.
02	PS396x0200-V	PS396x02030-V
03	PS396x0300-V	PS396x03030-V

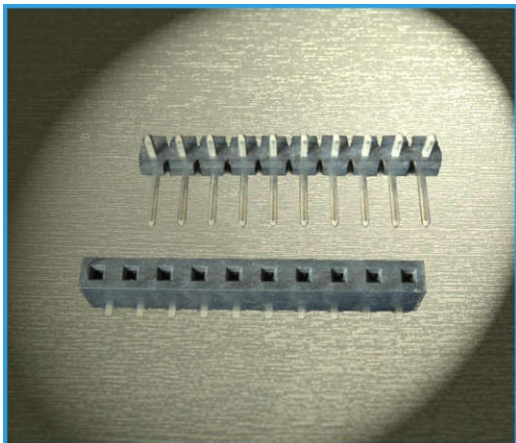
23	PS396x2300-V	PS396x23030-V
24	PS396x2400-V	PS396x24030-V

x= Select the requested contact material: P=Phos.Bronze B=Berillium copper

BOARD TO BOARD CONNECTORS

PCB female header p.5,08 mm - single row H=8.89 THT/SMT 180°

A



SPECIFICATIONS

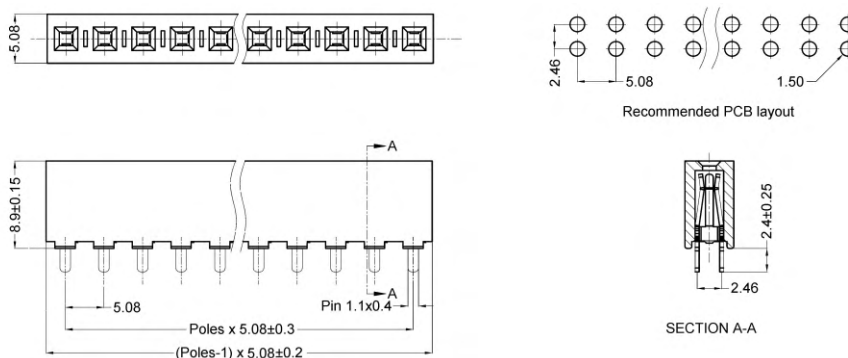
Current Rating: 7A AC,DC
 Withstanding Voltage: 1000 V AC,DC
 Insulation Resistance: 1000 MΩ min.
 Temperature Range: -40°C ~ +105°C
 Contact Resistance: 20 mΩ max.

FEATURES

Sizes 2 to 24 single row
 Suitable for 1.57mm thick PCB
 Mate with 1,14 mm square pin
 Packaging tube or Tape&reel (optional)
 Vacuum pick&place cap optional

MATERIAL

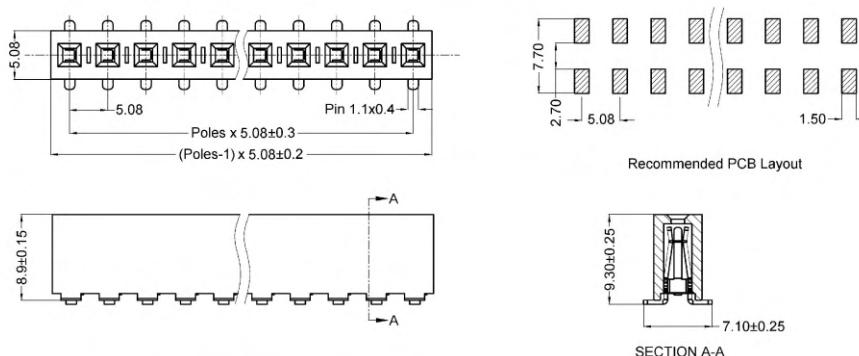
Insulator: G.F. Polyester, UL94V-0
 Contact: Phosphor bronze (BeCu optional)
 Plating: Tin or Gold over Nickel



Poles	P/N Tin pl.	P/N Gold pl.
02	PS508x0220	PS508x02230
03	PS508x0320	PS508x03230

23	PS508x2320	PS508x23230
24	PS508x2420	PS508x24230

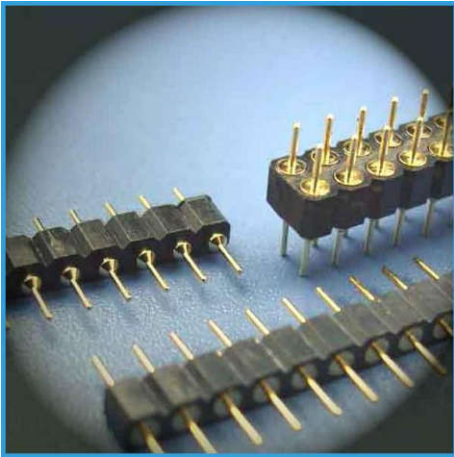
x= Select the requested contact material: P=Phos.Bronze B=Berillium copper



Poles	P/N Tin pl.	P/N Gold pl.
02	PS508x0200-V	PS508x02030-V
03	PS508x0300-V	PS508x03030-V

23	PS508x2300-V	PS508x23030-V
24	PS508x2400-V	PS508x24030-V

x= Select the requested contact material: P=Phos.Bronze B=Berillium copper



SPECIFICATIONS

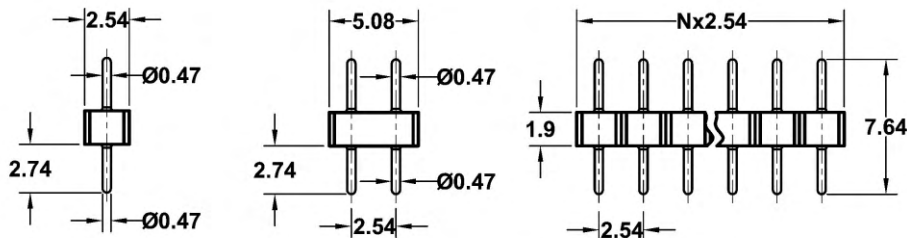
Voltage Rating: 250V AC,DC
 Current Rating: 3 A
 Contact Resistance: 10 mΩ max.
 Insulation Resistance: 1000 MΩ min.
 Withstanding Voltage: 1000V AC/minute
 Temperature Range: -55°C ~ +125°C

FEATURES

Sizes 2 to 40 single row
 4 to 80 double row
 Suitable for 1,57 mm thick. PCB

MATERIAL

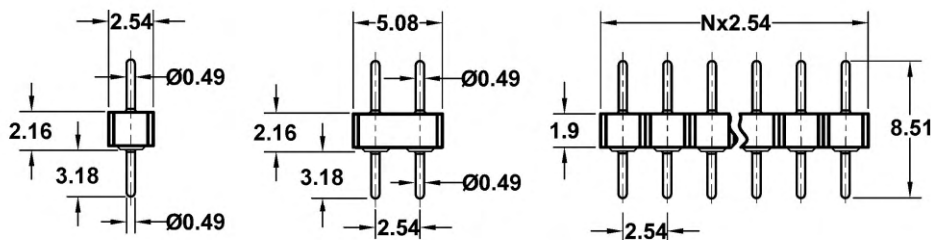
Insulator: G.F. thermoplastic, UL 94 V-0
 Contact: Brass
 Plating: Tin or gold (see table)



Poles/row	P/N single row	P/N dual row	Plating code	Pin plating
02	551022xx-2M076	552022xx-2M076	0	Tin
03	551032xx-2M076	552032xx-2M076	31	Au flash
---			32	Au 0.25 µm

39	551392xx-2M076	552392xx-2M076		
40	551402xx-2M076	552402xx-2M076		

xx:plating code



Poles/row	P/N single row	P/N dual row	Plating code	Pin plating
02	551022xx-2M085	552022xx-2M085	0	Tin
03	551032xx-2M085	552032xx-2M085	31	Au flash
---			32	Au 0.25 µm

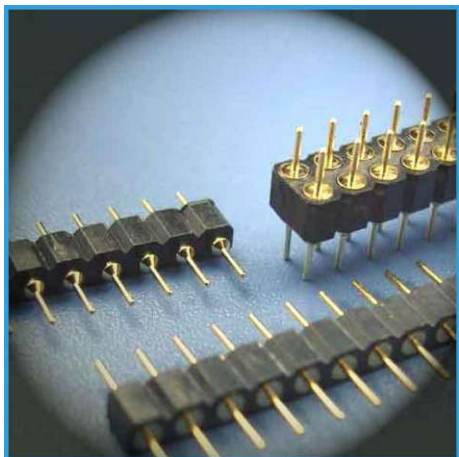
39	551392xx-2M085	552392xx-2M085		
40	551402xx-2M085	552402xx-2M085		

xx:plating code

BOARD TO BOARD CONNECTORS

Pin strip p. 2,54 mm machined pins - Ø0,47mm THT 180° H=10.0

A



SPECIFICATIONS

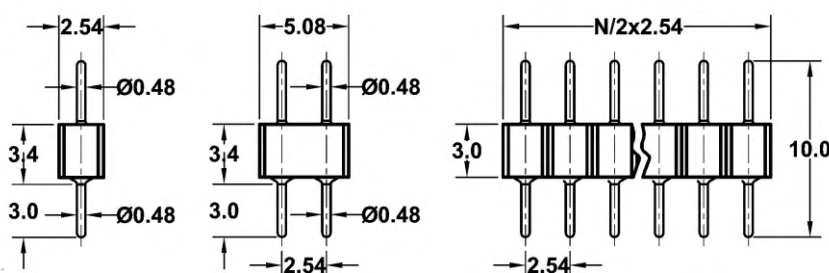
Voltage Rating: 250V AC,DC
 Current Rating: 3 A
 Contact Resistance: 10 mΩ max.
 Insulation Resistance: 1000 MΩ min.
 Withstanding Voltage: 1000V AC/minute
 Temperature Range: -55°C ~ +125°C

FEATURES

Sizes 2 to 40 single row
 4 to 80 double row
 Suitable for 1,57 mm thick. PCB

MATERIAL

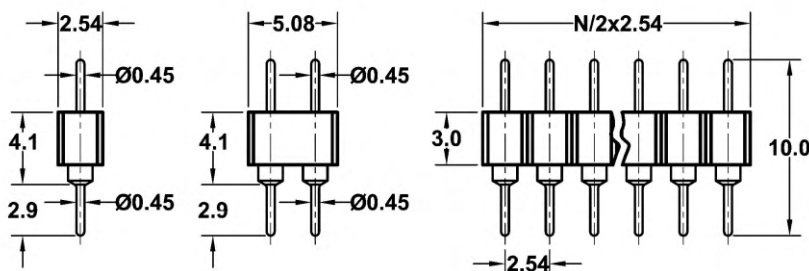
Insulator: G.F. thermoplastic, UL 94 V-0
 Contact: Brass
 Plating: Tin or gold (see table)



Poles/row	P/N single row	P/N dual row	Plating code	Pin plating
02	551022xx-2M100	552022xx-2M100	0	Tin
03	551032xx-2M100	552032xx-2M100	31	Au flash
---			32	Au 0.25 µm

39	551392xx-2M100	552392xx-2M100		
40	551402xx-2M100	552402xx-2M100		

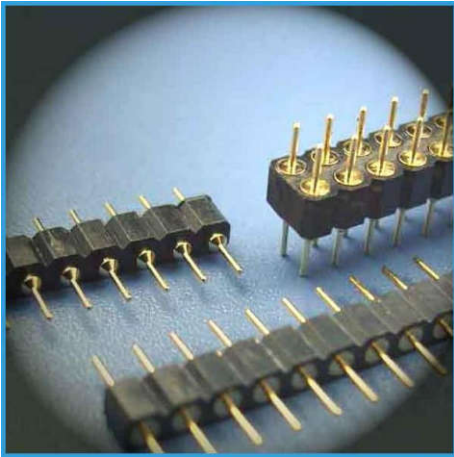
xx:plating code



Poles/row	P/N single row	P/N dual row	Plating code	Pin plating
02	551022xx-2M101	552022xx-2M101	0	Tin
03	551032xx-2M101	552032xx-2M101	31	Au flash
---			32	Au 0.25 µm

39	551392xx-2M101	552392xx-2M101		
40	551402xx-2M101	552402xx-2M101		

xx:plating code



SPECIFICATIONS

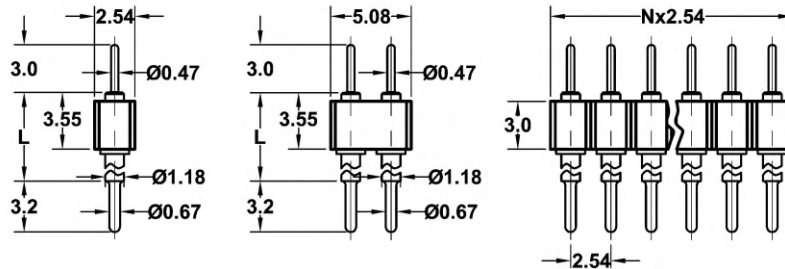
Voltage Rating: 250V AC,DC
 Current Rating: 3 A
 Contact Resistance: 10 mΩ max.
 Insulation Resistance: 1000 MΩ min.
 Withstanding Voltage: 1000V AC/minute
 Temperature Range: -55°C ~ +125°C

FEATURES

Sizes 2 to 40 single row
 4 to 80 double row
 Suitable for 1,57 mm thick. PCB

MATERIAL

Insulator: G.F. thermoplastic, UL 94 V-0
 Contact: Brass
 Plating: Tin or gold (see table)



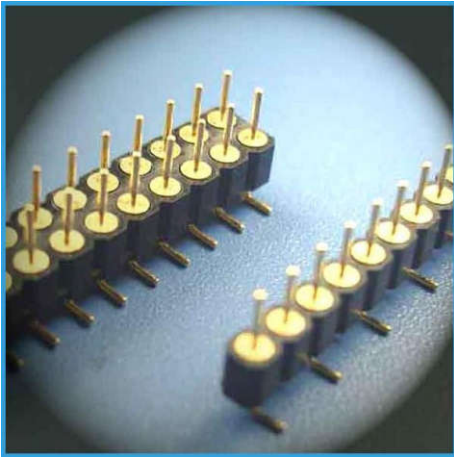
Poles/row	P/N single row	P/N dual row	L (mm)	Plating code	Pin plating
40	551402xx-2M062	552402xx-2M062	6.20	0	Tin
40	551402xx-2M084	552402xx-2M084	8.40	31	Au flash
40	551402xx-2M153	552402xx-2M153	15.30	32	Au 0.25 μm
40	551402xx-2M212	552402xx-2M212	21.20		
40	551402xx-2M274	552402xx-2M274	27.40		

xx:plating code

BOARD TO BOARD CONNECTORS

Pin strip p. 2,54 mm machined pins - Ø0.47 SMT 180°

A



SPECIFICATIONS

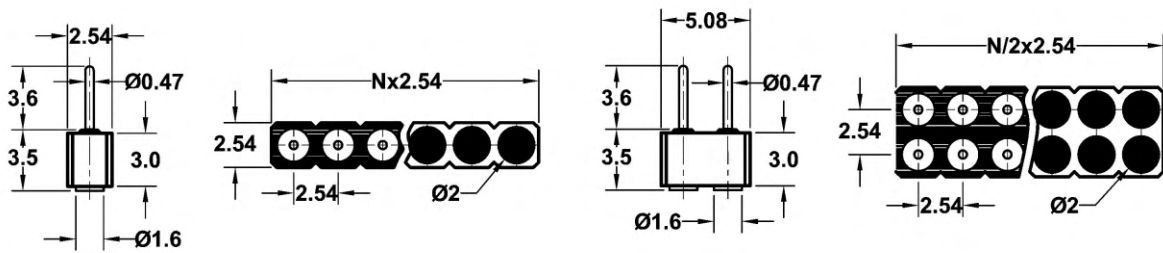
Voltage Rating: 250V AC,DC
 Current Rating: 3 A
 Contact Resistance: 10 mΩ max.
 Insulation Resistance: 1000 MΩ min.
 Withstanding Voltage: 1000V AC/minute
 Temperature Range: -55°C ~ +125°C

FEATURES

Sizes 2 to 40 single row
 4 to 80 double row
 Self-Leveling floating pin (For H=7.10)
 Packaging Tube (tape&reel opt.)
 Vacuum pick&place cap optional

MATERIAL

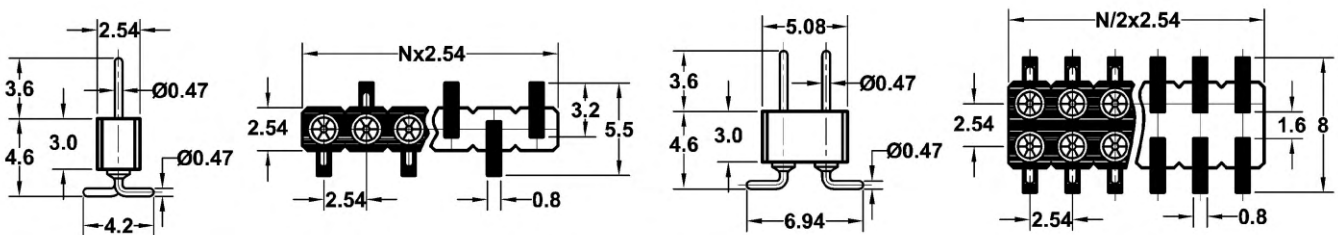
Insulator: G.F. thermoplastic, UL 94 V-0
 Contact: Brass
 Plating: Tin or gold (see table)



Poles/row	P/N single row	P/N dual row	Plating code	Pin plating
02	551020xx-2M071	552020xx-2M071	0	Tin
03	551030xx-2M071	552030xx-2M071	31	Au flash
---			32	Au 0.25 µm

39	551390xx-2M071	552390xx-2M071		
40	551400xx-2M071	552400xx-2M071		

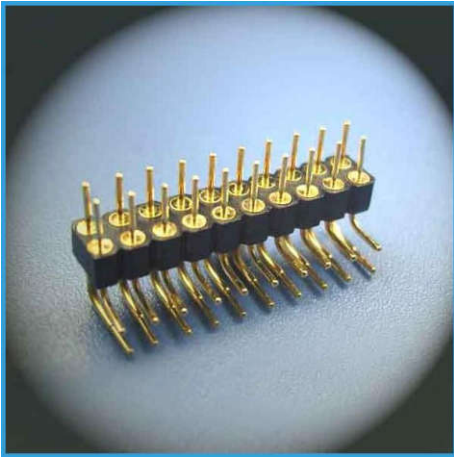
xx:plating code



Poles/row	P/N single row	P/N dual row	Plating code	Pin plating
02	551020xx-2M082	552020xx-2M082	0	Tin
03	551030xx-2M082	552030xx-2M082	31	Au flash
---			32	Au 0.25 µm

39	551390xx-2M082	552390xx-2M082		
40	551400xx-2M082	552400xx-2M082		

xx:plating code



SPECIFICATIONS

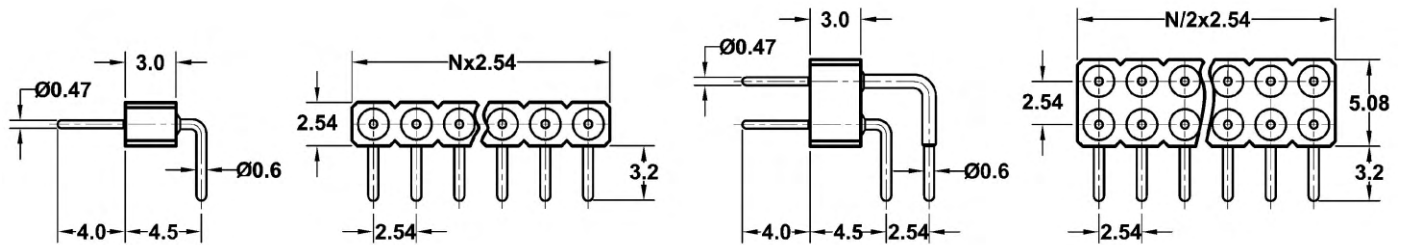
Voltage Rating: 250V AC,DC
 Current Rating: 3 A
 Contact Resistance: 10 mΩ max.
 Insulation Resistance: 1000 MΩ min.
 Withstanding Voltage: 1000V AC/minute
 Temperature Range: -55°C ~ +125°C

FEATURES

Sizes 2 to 40 single row
 4 to 80 double row
 Suitable for 1,57 mm thick. PCB

MATERIAL

Insulator: G.F. thermoplastic, UL 94 V-0
 Contact: Brass
 Plating: Tin or gold (see table)



Poles/row	P/N single row	P/N dual row	Plating code	Pin plating
02	551029xx-2M085	552029xx-2M085	0	Tin
03	551039xx-2M085	552039xx-2M085	31	Au flash
---			32	Au 0.25 µm

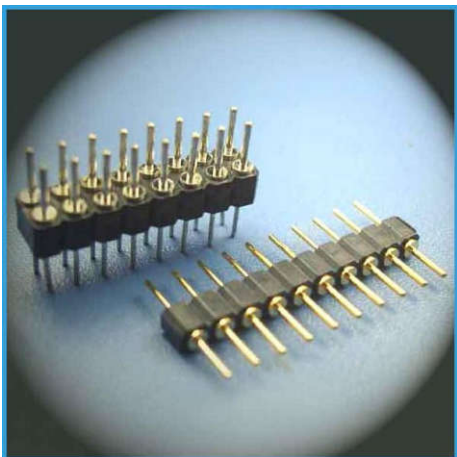
39	551399xx-2M085	552399xx-2M085		
40	551409xx-2M085	552409xx-2M085		

xx:plating code

BOARD TO BOARD CONNECTORS

Pin strip p. 2,54 mm machined pins - Ø0.76 THT180° H=9.80/11.20

A



SPECIFICATIONS

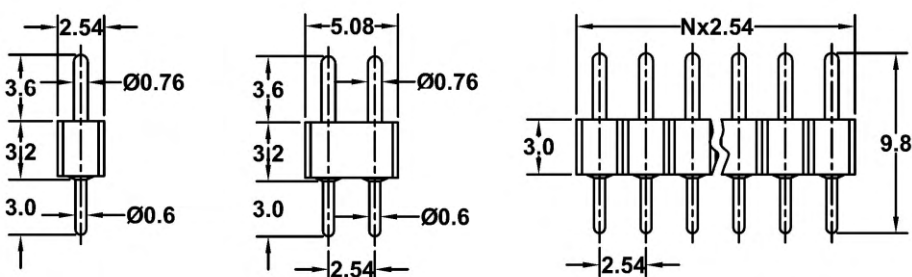
Voltage Rating: 250V AC,DC
 Current Rating: 3 A
 Contact Resistance: 10 mΩ max.
 Insulation Resistance: 1000 MΩ min.
 Withstanding Voltage: 1000V AC/minute
 Temperature Range: -55°C ~ +125°C

FEATURES

Sizes 2 to 40 single row
 4 to 80 double row
 Suitable for 1,57 mm thick. PCB

MATERIAL

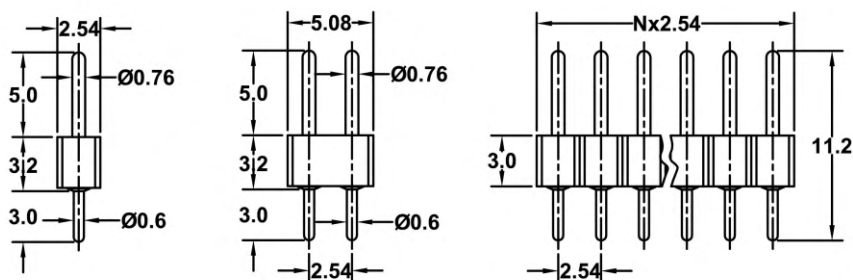
Insulator: G.F. thermoplastic, UL 94 V-0
 Contact: Brass
 Plating: Tin or gold (see table)



Poles/row	P/N single row	P/N dual row	Plating code	Pin plating
02	551022xx-3M098	552022xx-3M098	0	Tin
03	551032xx-3M098	552032xx-3M098	31	Au flash
---			32	Au 0.25 μm

39	551392xx-3M098	552392xx-3M098		
40	551402xx-3M098	552402xx-3M098		

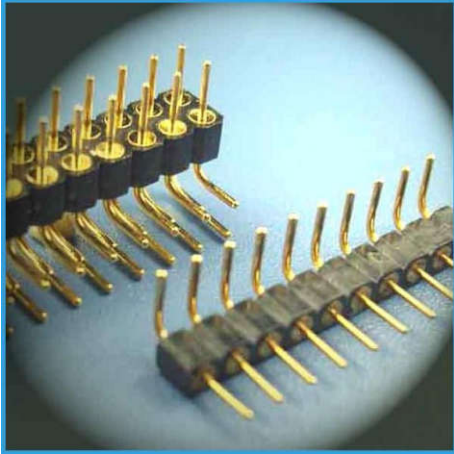
xx:plating code



Poles/row	P/N single row	P/N dual row	Plating code	Pin plating
02	551022xx-3M112	552022xx-3M112	0	Tin
03	551032xx-3M112	552032xx-3M112	31	Au flash
---			32	Au 0.25 μm

39	551392xx-3M112	552392xx-3M112		
40	551402xx-3M112	552402xx-3M112		

xx:plating code



SPECIFICATIONS

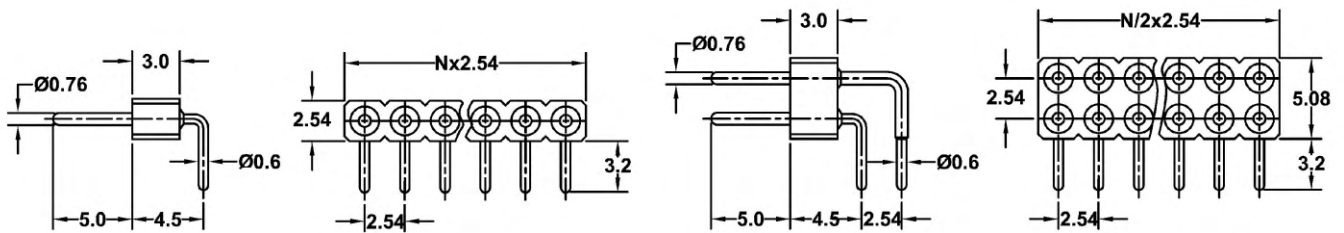
Voltage Rating: 250V AC,DC
 Current Rating: 3 A
 Contact Resistance: 10 mΩ max.
 Insulation Resistance: 1000 MΩ min.
 Withstanding Voltage: 1000V AC/minute
 Temperature Range: -55°C ~ +125°C

FEATURES

Sizes 2 to 40 single row
 4 to 80 double row
 Suitable for 1,57 mm thick. PCB

MATERIAL

Insulator: G.F. thermoplastic, UL 94 V-0
 Contact: Brass
 Plating: Tin or gold (see table)



Poles/row	P/N single row	P/N dual row	Plating code	Pin plating
02	551029xx-3M095	552029xx-3M095	0	Tin
03	551039xx-3M095	552039xx-3M095	31	Au flash
---			32	Au 0.25 µm

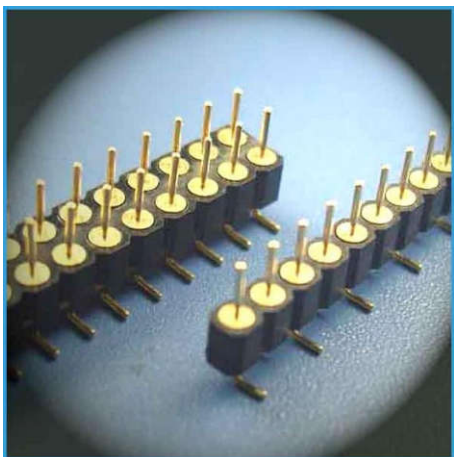
39	551399xx-3M095	552399xx-3M095		
40	551409xx-3M095	552409xx-3M095		

xx:plating code

BOARD TO BOARD CONNECTORS

Pin strip p. 2,54 mm machined pins - Ø0.76 SMT 180°

A



SPECIFICATIONS

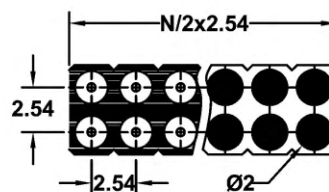
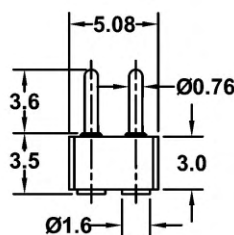
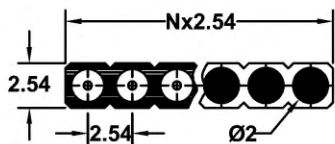
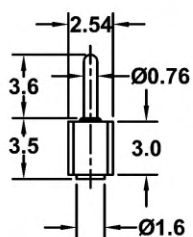
Voltage Rating: 250V AC,DC
 Current Rating: 3 A
 Contact Resistance: 10 mΩ max.
 Insulation Resistance: 1000 MΩ min.
 Withstanding Voltage: 1000V AC/minute
 Temperature Range: -55°C ~ +125°C

FEATURES

Sizes 2 to 40 single row
 4 to 80 double row
 Self-Leveling floating pin (For H=7.10)
 Packaging Tube (tape&reel opt.available)
 Vacuum pick&place cap optional

MATERIAL

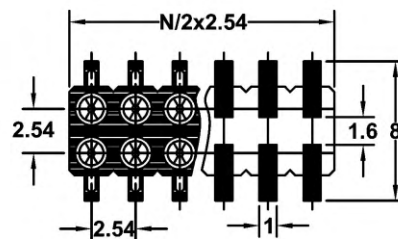
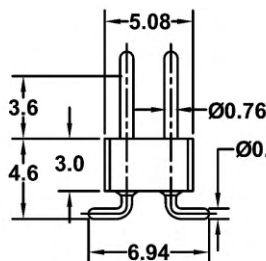
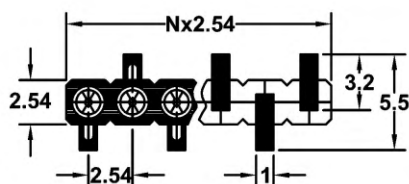
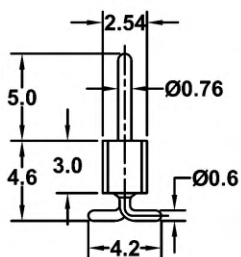
Insulator: G.F. thermoplastic, UL 94 V-0
 Contact: Brass
 Plating: Tin or gold (see table)



Poles/row	P/N single row	P/N dual row	Plating code	Pin plating
02	551020xx-3M071	552020xx-3M071	0	Tin
03	551030xx-3M071	552030xx-3M071	31	Au flash
---			32	Au 0.25 µm

39	551390xx-3M071	552390xx-3M071		
40	551400xx-3M071	552400xx-3M071		

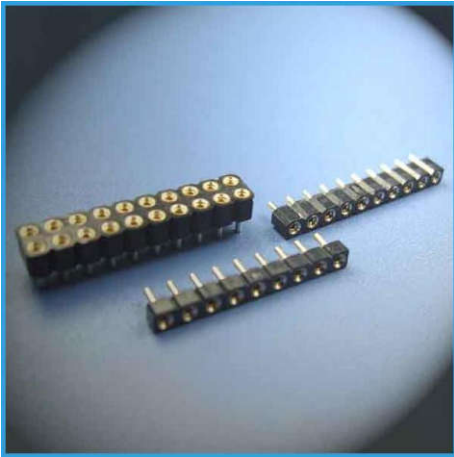
xx:plating code



Poles/row	P/N single row	P/N dual row	Plating code	Pin plating
02	551020xx-3M096	552020xx-3M096	0	Tin
03	551030xx-3M096	552030xx-3M096	31	Au flash
---			32	Au 0.25 µm

39	551390xx-3M096	552390xx-3M096		
40	551400xx-3M096	552400xx-3M096		

xx:plating code



SPECIFICATIONS

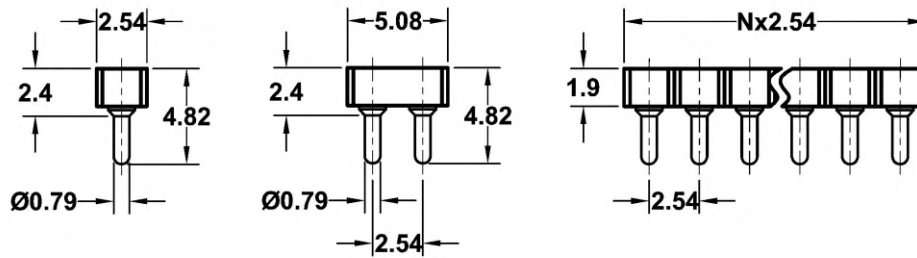
Voltage Rating: 250V AC,DC
 Current Rating: 3 A
 Contact Resistance: 10 mΩ max.
 Insulation Resistance: 1000 MΩ min.
 Withstanding Voltage: 1000V AC/minute
 Temperature Range: -55°C ~ +125°C

FEATURES

Sizes 2 to 40 single row
 4 to 80 double row
 Mate with round pins 0.40 to 0.56 mm dia.
 Hand brackable
 Suitable for 1,57 mm thick. PCB

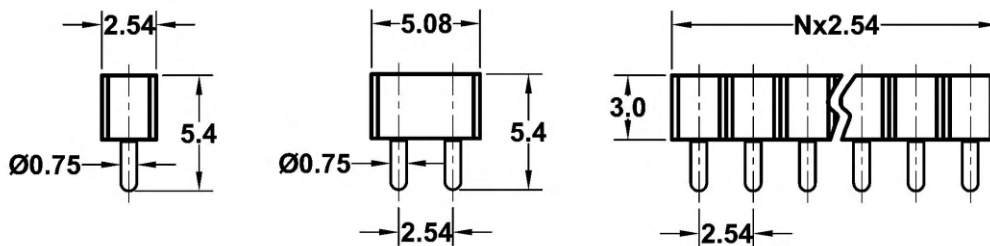
MATERIAL

Insulator: G.F. thermoplastic, UL 94 V-0
 Sleeve: Brass
 Contact clip: Beryllium copper



Poles/row	P/N single row	P/N dual row	Plating code	Sleeve plating	Clip plating
02	551022xx-2048	552022xx-2048	0	Tin	Tin
03	551032xx-2048	552032xx-2048	91	Tin	Au flash
---			92	Tin	Au 0.25 µm
---			31	Au flash	Au flash
39	551392xx-2048	552392xx-2048	32	Au 0.25 µm	Au 0.25 µm
40	551402xx-2048	552402xx-2048			

xx:plating code



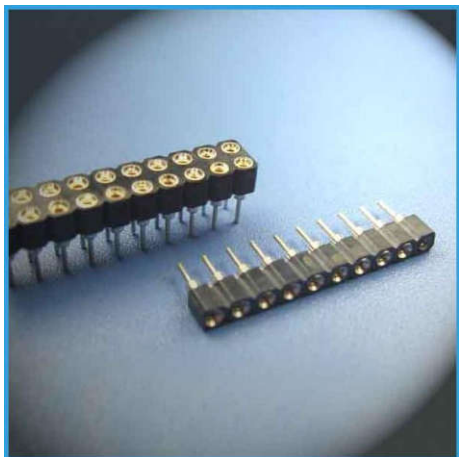
Poles/row	P/N single row	P/N dual row	Plating code	Sleeve plating	Clip plating
02	551022xx-2054	552022xx-2054	0	Tin	Tin
03	551032xx-2054	552032xx-2054	91	Tin	Au flash
---			92	Tin	Au 0.25 µm
---			31	Au flash	Au flash
39	551392xx-2054	552392xx-2054	32	Au 0.25 µm	Au 0.25 µm
40	551402xx-2054	552402xx-2054			

xx:plating code

BOARD TO BOARD CONNECTORS

PCB socket p.2,54 mm machined pins - Ø0,47mm THT 180° H=7.40/7.43

A



SPECIFICATIONS

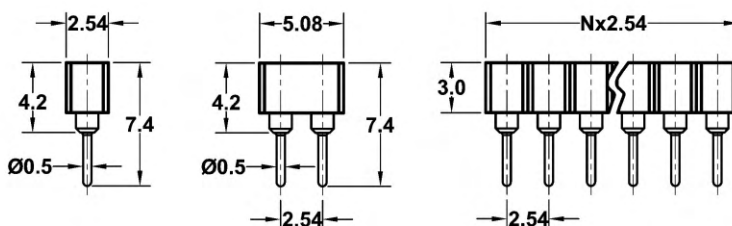
Voltage Rating: 250V AC,DC
 Current Rating: 3 A
 Contact Resistance: 10 mΩ max.
 Insulation Resistance: 1000 MΩ min.
 Withstanding Voltage: 1000V AC/minute
 Temperature Range: -55°C ~ +125°C

FEATURES

Sizes 2 to 40 single row
 4 to 80 double row
 Mate with round pins 0.40 to 0.56 mm dia.
 Hand brackable
 Suitable for 1,57 mm thick. PCB

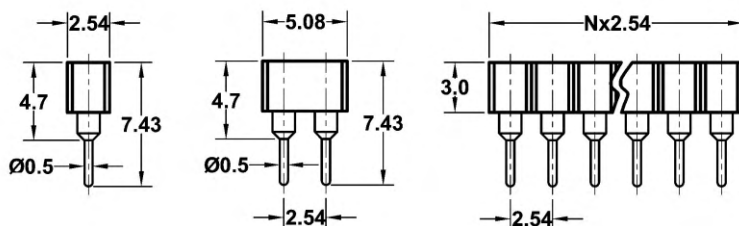
MATERIAL

Insulator: G.F. thermoplastic, UL 94 V-0
 Sleeve: Brass
 Contact clip: Beryllium copper



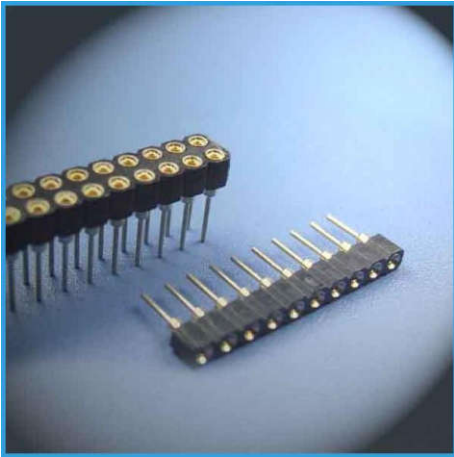
Poles/row	P/N single row	P/N dual row	Plating code	Sleeve plating	Clip plating
02	551022xx-2074	552022xx-2074	0	Tin	Tin
03	551032xx-2074	552032xx-2074	91	Tin	Au flash
---			92	Tin	Au 0.25 µm
---			31	Au flash	Au flash
39	551392xx-2074	552392xx-2074	32	Au 0.25 µm	Au 0.25 µm
40	551402xx-2074	552402xx-2074			

xx:plating code



Poles/row	P/N single row	P/N dual row	Plating code	Sleeve plating	Clip plating
02	551022xx-2075	552022xx-2075	0	Tin	Tin
03	551032xx-2075	552032xx-2075	91	Tin	Au flash
---			92	Tin	Au 0.25 µm
---			31	Au flash	Au flash
39	551392xx-2075	552392xx-2075	32	Au 0.25 µm	Au 0.25 µm
40	551402xx-2075	552402xx-2075			

xx:plating code



SPECIFICATIONS

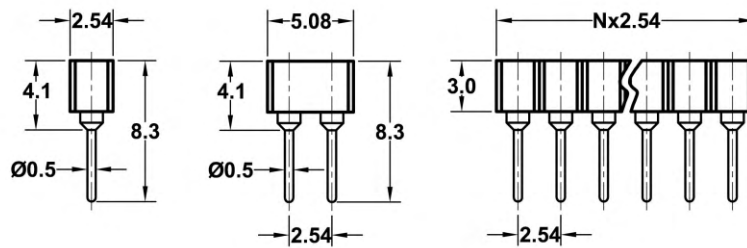
Voltage Rating: 250V AC,DC
 Current Rating: 3 A
 Contact Resistance: 10 mΩ max.
 Insulation Resistance: 1000 MΩ min.
 Withstanding Voltage: 1000V AC/minute
 Temperature Range: -55°C ~ +125°C

FEATURES

Sizes 2 to 40 single row
 4 to 80 double row
 Mate with round pins 0.40 to 0.56 mm dia.
 Hand brackable
 Suitable for 1,57 mm thick. PCB

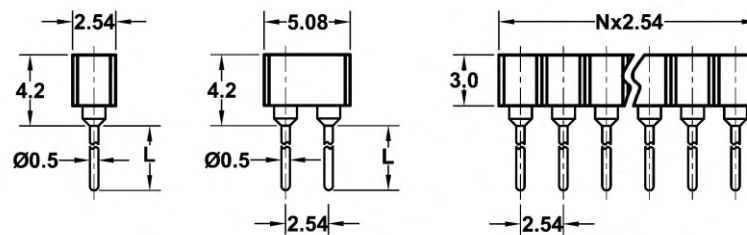
MATERIAL

Insulator: G.F. thermoplastic, UL 94 V-0
 Sleeve: Brass
 Contact clip: Beryllium copper



Poles/row	P/N single row	P/N dual row	Plating code	Sleeve plating	Clip plating
02	551022xx-2083	552022xx-2083	0	Tin	Tin
03	551032xx-2083	552032xx-2083	91	Tin	Au flash
---			92	Tin	Au 0.25 µm
---			31	Au flash	Au flash
39	551392xx-2083	552392xx-2083	32	Au 0.25 µm	Au 0.25 µm
40	551402xx-2083	552402xx-2083			

xx:plating code



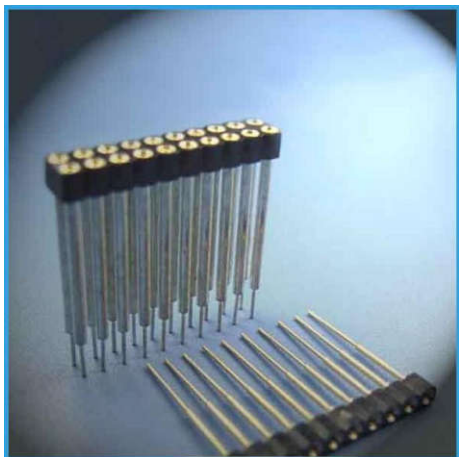
Poles x row	P/N single row	P/N dual row	L (mm)	Plating code	Sleeve plating	Clip plating
02	551022xx-2111	552022xx-2111	6.90	0	Tin	Tin
03	551032xx-2111	552032xx-2111	6.90	91	Tin	Au flash
---				92	Tin	Au 0.25 µm
---				31	Au flash	Au flash
39	551392xx-2111	552392xx-2111	6.90	32	Au 0.25 µm	Au 0.25 µm
40	551402xx-2111	552402xx-2111	6.90			

xx:plating code

BOARD TO BOARD CONNECTORS

PCB socket p.2,54 mm machined pins - Ø0,47mm THT 180° Elevated

A



SPECIFICATIONS

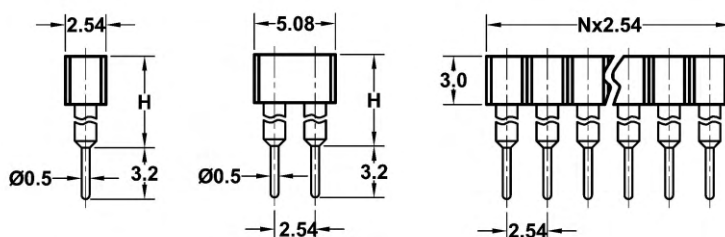
Voltage Rating: 250V AC,DC
 Current Rating: 3 A
 Contact Resistance: 10 mΩ max.
 Insulation Resistance: 1000 MΩ min.
 Withstanding Voltage: 1000V AC/minute
 Temperature Range: -55°C ~ +125°C

FEATURES

Sizes 2 to 40 single row
 4 to 80 double row
 Mate with round pins 0.40 to 0.56 mm dia.
 Suitable for 1,57 mm thick. PCB

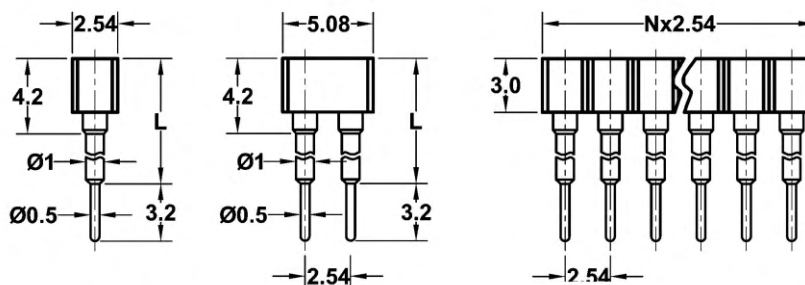
MATERIAL

Insulator: G.F. thermoplastic, UL 94 V-0
 Sleeve: Brass
 Contact clip: Beryllium copper



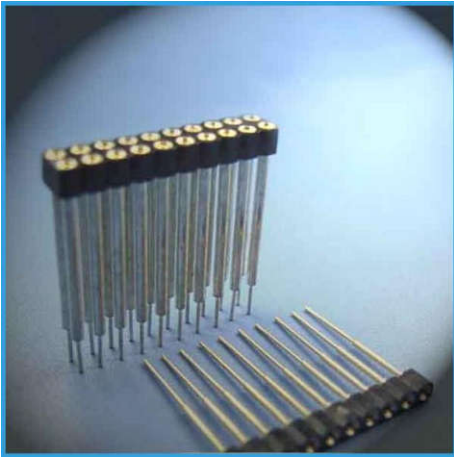
Poles/row	P/N single row	P/N dual row	H (mm)	Plating code	Sleeve plating	Clip plating
02	551022xx-2H	552022xx-2H	9.0	0	Tin	Tin
03	551032xx-2H	552032xx-2H	14.6	91	Tin	Au flash
---				92	Tin	Au 0.25 μm
---				31	Au flash	Au flash
39	551392xx-2H	552392xx-2H		31	Au 0.25 μm	Au 0.25 μm
40	551402xx-2H	552402xx-2H				

xx:plating code - Complete P/N with the requested height: H09 for 9.0 mm; H14 for 14.6 mm



Poles	P/N single row	P/N dual row	L (mm)	Plating code	Sleeve plating	Clip plating
02	551022xx-2E	552022xx-2E	6.00	0	Tin	Tin
03	551032xx-2E	552032xx-2E	7.00	91	Tin	Au flash
---			8.00	92	Tin	Au 0.25 μm
---			9.00	31	Au flash	Au flash
39	551392xx-2E	552392xx-2E	10.00	32	Au 0.25 μm	Au 0.25 μm
40	551402xx-2E	552402xx-2E	11.00			
			12.00			

xx:plating code - Complete P/N with the requested height: E06 for L=6.0 mm; E12 for L=12.0 mm



SPECIFICATIONS

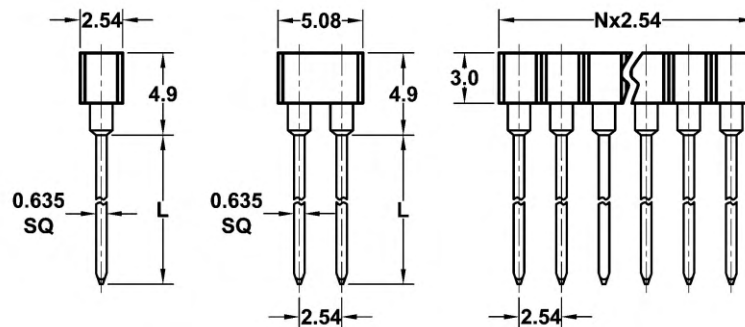
Voltage Rating: 250V AC,DC
 Current Rating: 3 A
 Contact Resistance: 10 mΩ max.
 Insulation Resistance: 1000 MΩ min.
 Withstanding Voltage: 1000V AC/minute
 Temperature Range: -55°C ~ +125°C

FEATURES

Sizes 2 to 40 single row
 4 to 80 double row
 Mate with round pins 0.40 to 0.56 mm dia.
 Suitable for 1,57 mm thick. PCB

MATERIAL

Insulator: G.F. thermoplastic, UL 94 V-0
 Sleeve: Brass
 Contact clip: Beryllium copper



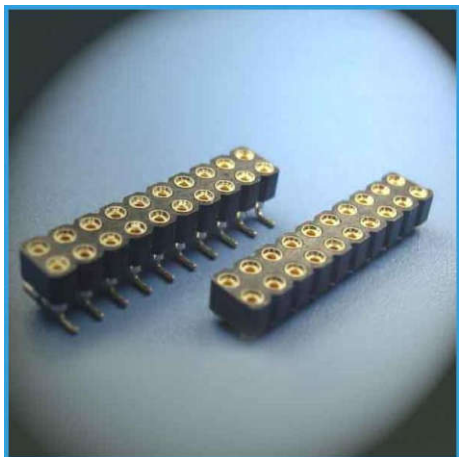
Poles/row	P/N single row	P/N dual row	L (mm)	Plating code	Sleeve plating	Clip plating
02	551022xx-2W	552022xx-2W	9.4	0	Tin	Tin
03	551032xx-2W	552032xx-2W	12.9	91	Tin	Au flash
---				92	Tin	Au 0.25 μm
---				31	Au flash	Au flash
39	551392xx-2W	552392xx-2W		32	Au 0.25 μm	Au 0.25 μm
40	551402xx-2W	552402xx-2W				

xx:plating code - Complete P/N with the requested height: W09 for L=9.4 mm; W12 for L=12.9 mm

BOARD TO BOARD CONNECTORS

PCB socket p.2,54 mm machined pins - Ø0.47 SMT 180°

A



SPECIFICATIONS

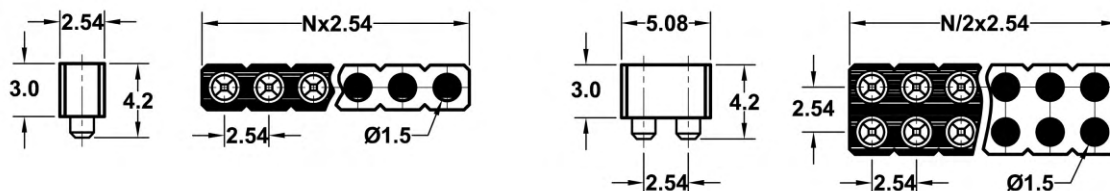
Voltage Rating: 250V AC,DC
 Current Rating: 3 A
 Contact Resistance: 10 mΩ max.
 Insulation Resistance: 1000 MΩ min.
 Withstanding Voltage: 1000V AC/minute
 Temperature Range: -55°C ~ +125°C

FEATURES

Sizes 3 to 40 single row
 4 to 80 double row
 Mate with round pins 0.40 to 0.56 mm dia.
 Self-Leveling floating pin (For H=4.20)
 Packaging Tube (tape&reel opt.available)
 Vacuum pick&place cap/film optional

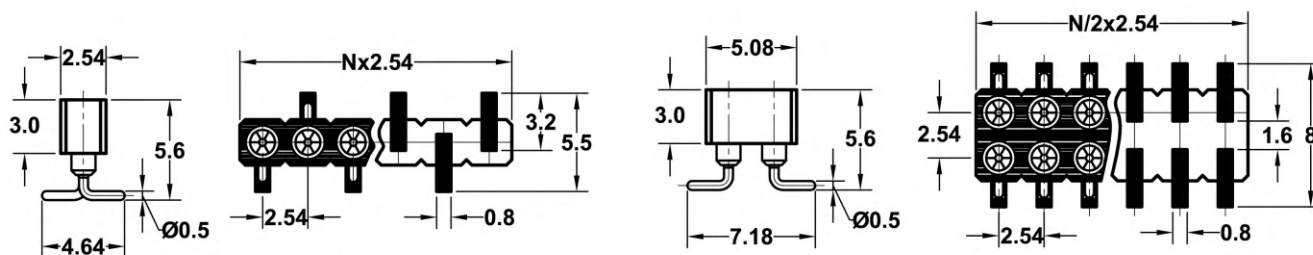
MATERIAL

Insulator: G.F. thermoplastic, UL 94 V-0
 Sleeve: Brass
 Contact clip: Beryllium copper



Poles/row	P/N single row	P/N dual row	Plating code	Sleeve plating	Clip plating
02	551020xx-2042	552020xx-2042	0	Tin	Tin
03	551030xx-2042	552030xx-2042	91	Tin	Au flash
---			92	Tin	Au 0.25 μm
---			31	Au flash	Au flash
39	551390xx-2042	552390xx-2042	32	Au 0.25 μm	Au 0.25 μm
40	551400xx-2042	552400xx-2042			

xx:plating code



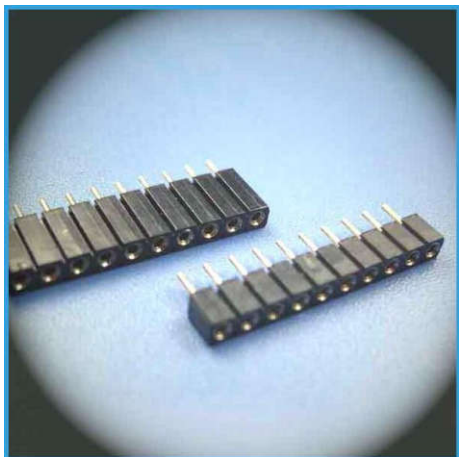
Poles	P/N single row	P/N dual row	Plating code	Sleeve plating	Clip plating
02	551020xx-2056	552020xx-2056	0	Tin	Tin
03	551030xx-2056	552030xx-2056	91	Tin	Au flash
---			92	Tin	Au 0.25 μm
---			31	Au flash	Au flash
39	551390xx-2056	552390xx-2056	32	Au 0.25 μm	Au 0.25 μm
40	551400xx-2056	552400xx-2056			

xx:plating code

BOARD TO BOARD CONNECTORS

PCB socket p.2,54 mm machined pins - Ø0.76 THT180° H=7.40/10.0

A



SPECIFICATIONS

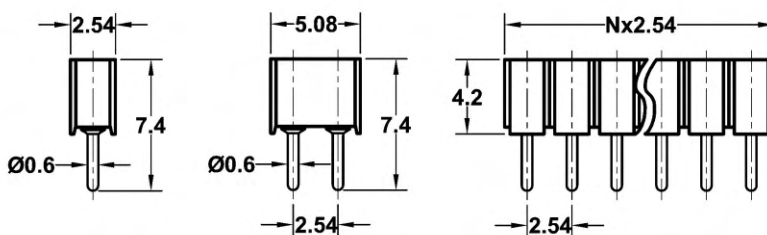
Voltage Rating: 250V AC,DC
 Current Rating: 3 A
 Contact Resistance: 10 mΩ max.
 Insulation Resistance: 1000 MΩ min.
 Withstanding Voltage: 1000V AC/minute
 Temperature Range: -55°C ~ +125°C

FEATURES

Sizes 2 to 40 single row
 4 to 80 double row
 Mate with round pins 0.70 to 0.90 mm dia.
 or square pins 0,63 mm
 Suitable for 1,57 mm thick. PCB

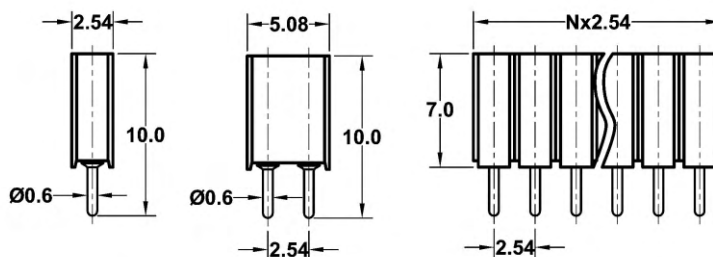
MATERIAL

Insulator: G.F. thermoplastic, UL 94 V-0
 Sleeve: Brass
 Contact clip: Beryllium copper



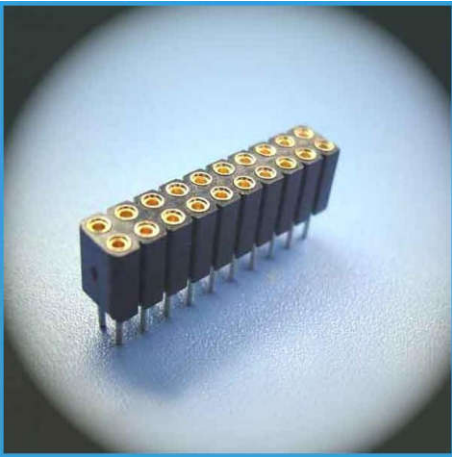
Poles/row	P/N single row	P/N dual row	Plating code	Sleeve plating	Clip plating
02	551022xx-3074	552022xx-3074	0	Tin	Tin
03	551032xx-3074	552032xx-3074	91	Tin	Au flash
---			92	Tin	Au 0.25 μm
---			31	Au flash	Au flash
39	551392xx-3074	552392xx-3074	32	Au 0.25 μm	Au 0.25 μm
40	551402xx-3074	552402xx-3074			

xx:plating code



Poles/row	P/N single row	P/N dual row	Plating code	Sleeve plating	Clip plating
02	551022xx-3100	552022xx-3100	0	Tin	Tin
03	551032xx-3100	552032xx-3100	91	Tin	Au flash
---			92	Tin	Au 0.25 μm
---			31	Au flash	Au flash
39	551392xx-3100	552392xx-3100	32	Au 0.25 μm	Au 0.25 μm
40	551402xx-3100	552402xx-3100			

xx:plating code

**SPECIFICATIONS**

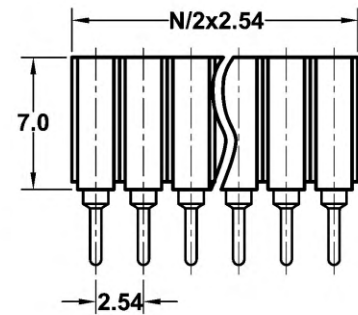
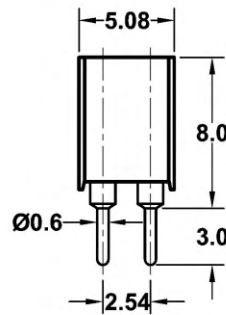
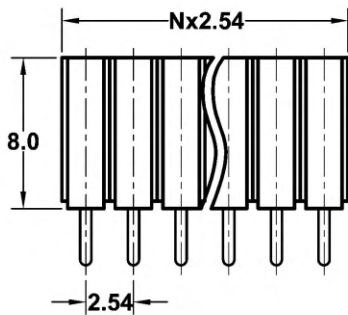
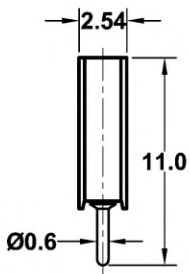
Voltage Rating: 250V AC,DC
 Current Rating: 3 A
 Contact Resistance: 10 mΩ max.
 Insulation Resistance: 1000 MΩ min.
 Withstanding Voltage: 1000V AC/minute
 Temperature Range: -55°C ~ +125°C

MATERIAL

Insulator: G.F. thermoplastic, UL 94 V-0
 Sleeve: Brass
 Contact clip: Beryllium copper

FEATURES

Sizes 2 to 40 single row
 4 to 80 double row
 Mate with round pins 0.70 to 0.90 mm dia.
 or square pins 0,63 mm
 Suitable for 1,57 mm thick. PCB



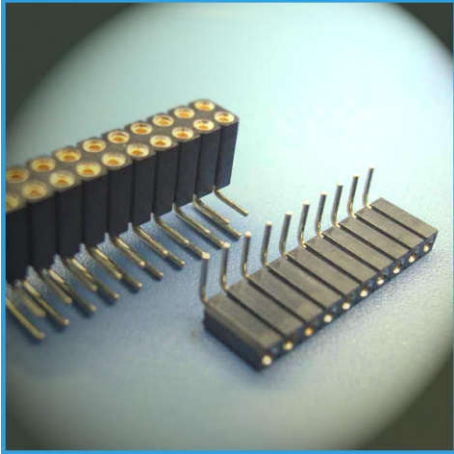
Poles/row	P/N single row	P/N dual row	Plating code	Sleeve plating	Clip plating
02	551022xx-3110	552022xx-3110	0	Tin	Tin
03	551032xx-3110	552032xx-3110	91	Tin	Au flash
---			92	Tin	Au 0.25 μm
---			31	Au flash	Au flash
39	551392xx-3110	552392xx-3110	32	Au 0.25 μm	Au 0.25 μm
40	551402xx-3110	552402xx-3110			

xx:plating code

BOARD TO BOARD CONNECTORS

PCB socket p.2,54 mm machined pins - Ø0.76 THT90° H=5.6/8.3

A



SPECIFICATIONS

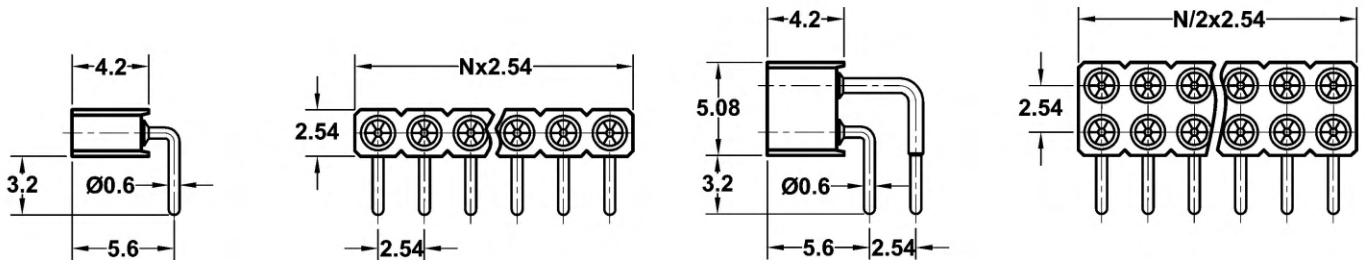
Voltage Rating: 250V AC,DC
 Current Rating: 3 A
 Contact Resistance: 10 mΩ max.
 Insulation Resistance: 1000 MΩ min.
 Withstanding Voltage: 1000V AC/minute
 Temperature Range: -55°C ~ +125°C

MATERIAL

Insulator: G.F. thermoplastic, UL 94 V-0
 Sleeve: Brass
 Contact clip: Beryllium copper

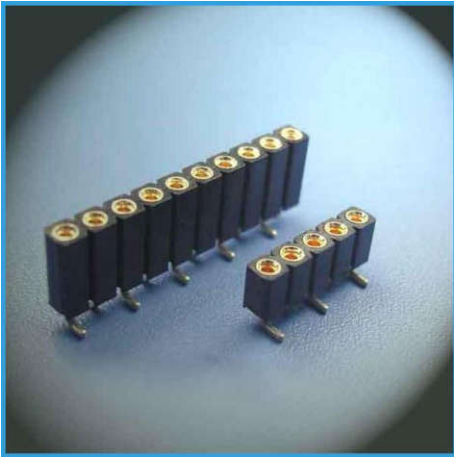
FEATURES

Sizes 2 to 40 single row
 4 to 80 double row
 Mate with round pins 0.70 to 0.90 mm dia.
 or square pins 0,63 mm
 Suitable for 1,57 mm thick. PCB



Poles/row	P/N single row	P/N dual row	Plating code	Sleeve plating	Clip plating
02	551029xx-3056	552029xx-3056	0	Tin	Tin
03	551039xx-3056	552039xx-3056	91	Tin	Au flash
---			92	Tin	Au 0.25 μm
---			31	Au flash	Au flash
39	551399xx-3056	552399xx-3056	32	Au 0.25 μm	Au 0.25 μm
40	551409xx-3056	552409xx-3056			

xx:plating code



SPECIFICATIONS

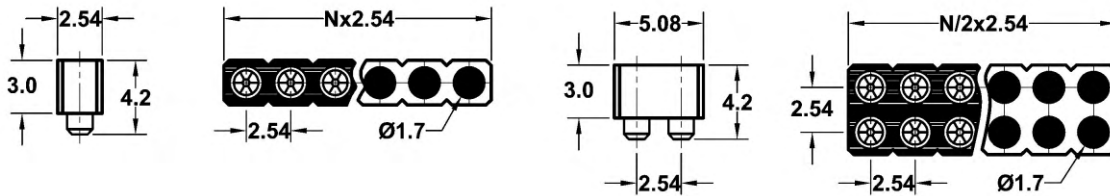
Voltage Rating: 250V AC,DC
 Current Rating: 3 A
 Contact Resistance: 10 mΩ max.
 Insulation Resistance: 1000 MΩ min.
 Withstanding Voltage: 1000V AC/minute
 Temperature Range: -55°C ~ +125°C

MATERIAL

Insulator: G.F. thermoplastic, UL 94 V-0
 Sleeve: Brass
 Contact clip: Beryllium copper

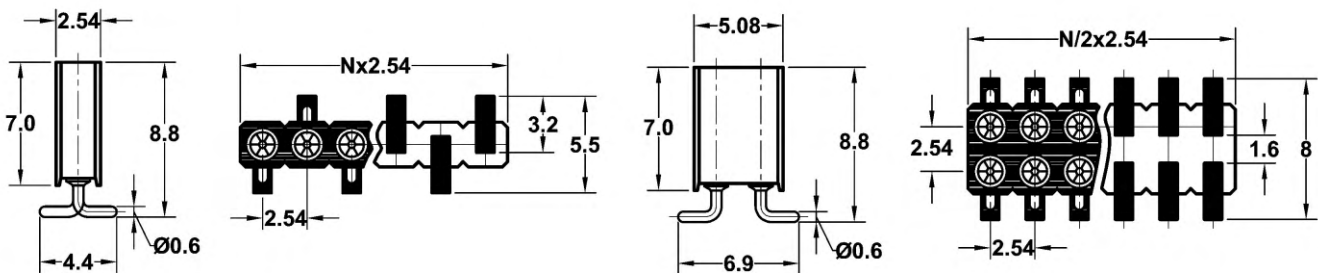
FEATURES

Sizes 3 to 40 single row
 4 to 80 double row
 Mate with round pins 0.70 to 0.90 mm dia.
 or square pins 0,63 mm
 Self-Leveling floating pin (For H=4.20)
 Packaging Tube (tape&reel opt.available)
 Vacuum pick&place cap/film optional



Poles/row	P/N single row	P/N dual row	Plating code	Sleeve plating	Clip plating
02	551020xx-3042	552020xx-3042	0	Tin	Tin
03	551030xx-3042	552030xx-3042	91	Tin	Au flash
---			92	Tin	Au 0.25 µm
---			31	Au flash	Au flash
39	551390xx-3042	552390xx-3042	32	Au 0.25 µm	Au 0.25 µm
40	551400xx-3042	552400xx-3042			

xx:plating code



Poles/row	P/N single row	P/N dual row	Plating code	Sleeve plating	Clip plating
02	551020xx-3088	552020xx-3088	0	Tin	Tin
03	551030xx-3088	552030xx-3088	91	Tin	Au flash
---			92	Tin	Au 0.25 µm
---			31	Au flash	Au flash
39	551390xx-3088	552390xx-3088	32	Au 0.25 µm	Au 0.25 µm
40	551400xx-3088	552400xx-3088			

xx:plating code