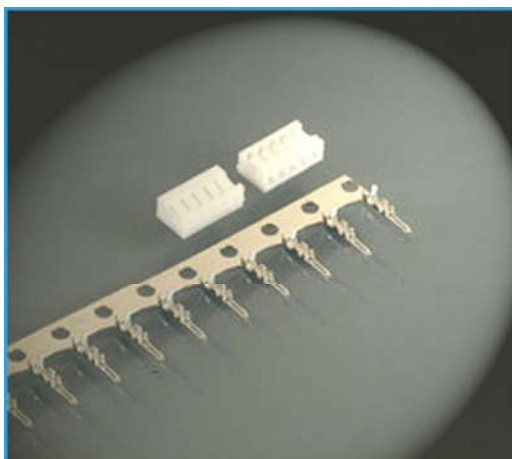


CABLING CONNECTORS

1,25 mm pitch - wire to board connectors - 6168



SPECIFICATIONS

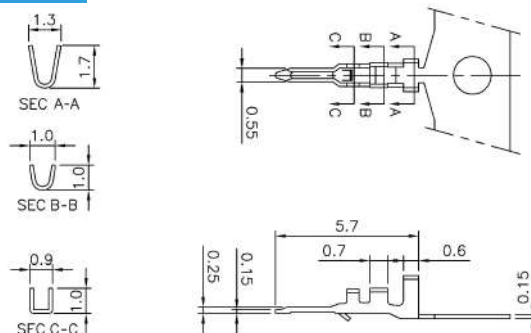
Voltage Rating: 125V AC,DC
 Current rating: 1A AC,DC
 Withstanding Voltage: 250V AC/minute
 Insulation Resistance: 100 mΩ min
 Temperature Range: -25°C ~ +85°C
 Contact Resistance: 20 mΩ max.

TERMINAL

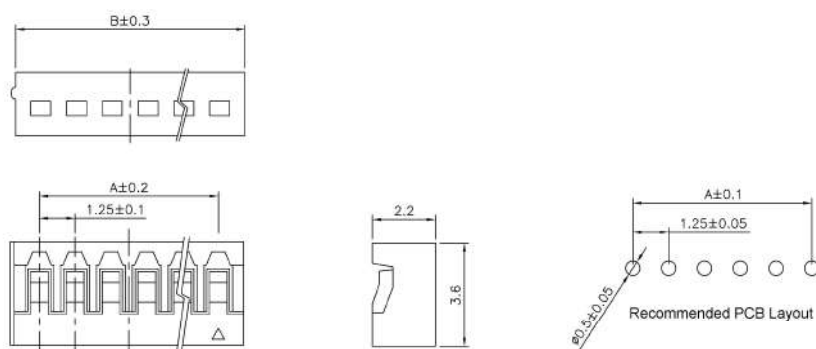
Applicable wires: AWG 28 ~ 32
 Material: Phosphor Bronze
 Finish: Tin plated
 Q.ty: 15000 pcs/reel

HOUSING

Poles: 2-15
 Material: Nylon 66, UL 94V-0
 Q.ty: 1000 pcs/bag



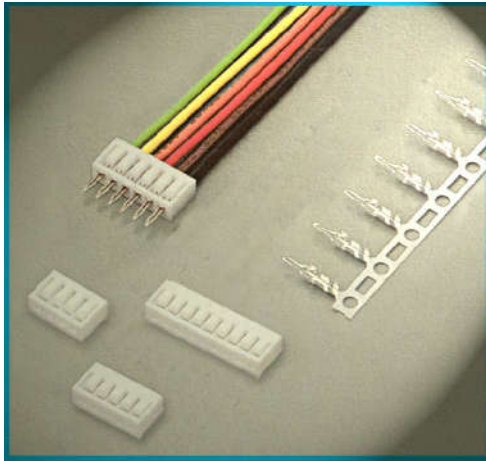
App. Wire	Part No.	Material	Finish	Q.ty/reel
AWG 28-32	6168T	Phosp. bronze	Tin pl.	15000



Poles	Part No.	A (mm)	B (mm)
2	6168F02	1.25	3.00
3	6168F03	2.50	4.25
4	6168F04	3.75	5.50
5	6168F05	5.00	6.75
6	6168F06	6.25	8.00
7	6168F07	7.50	9.25
8	6168F08	8.75	10.50
9	6168F09	10.00	11.75
10	6168F10	11.25	13.00
11	6168F11	12.50	14.25

CABLING CONNECTORS

2,0 mm pitch - wire to board connectors - 6102



SPECIFICATIONS

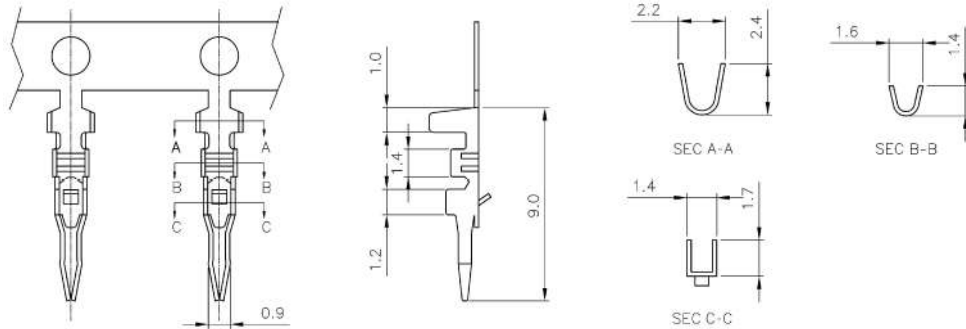
Voltage Rating: 250V AC,DC
 Current rating: 2A AC,DC
 Withstanding Voltage: 800V AC/minute
 Insulation Resistance: 1000 mΩ min
 Temperature Range: -25°C ~ +85°C
 Contact Resistance: 20 mΩ max.

TERMINAL

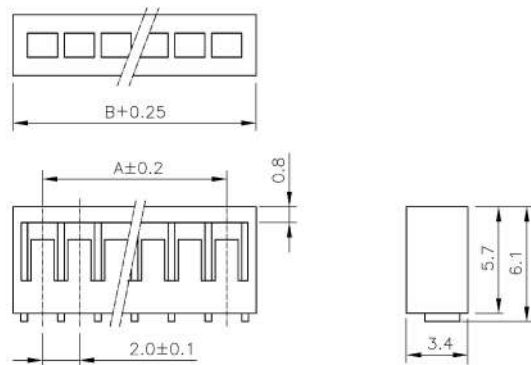
Applicable wires: AWG 24 ~ 30
 Material: Brass
 Finish: Tin plated
 Q.ty: 10000 pcs/reel

HOUSING

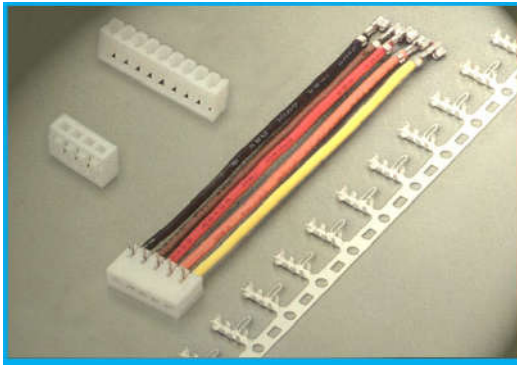
Poles: 2-16
 Material: Nylon 66, UL 94V-0
 Q.ty: 1000 pcs/bag



App. Wire	Part No.	Material	Finish	Q.ty/reel	App. Wire	Part No.	Material	Finish	Q.ty/reel
AWG 24-30	6102T	Phosp. bronze	Tin pl.	10000					



Poles	Part No.	A (mm)	B (mm)	Poles	Part No.	A (mm)	B (mm)
2	6102F02	2.00	5.20	12	6102F12	22.00	25.20
3	6102F03	4.00	7.20	13	6102F13	24.00	27.20
4	6102F04	6.00	9.20	14	6102F14	26.00	29.20
5	6102F05	8.00	11.20	15	6102F15	28.00	31.20
6	6102F06	10.00	13.20	16	6102F16	30.00	33.20
7	6102F07	12.00	15.20				
8	6102F08	14.00	17.20				
9	6102F09	16.00	19.20				
10	6102F10	18.00	21.20				
11	6102F11	20.00	23.20				



SPECIFICATIONS

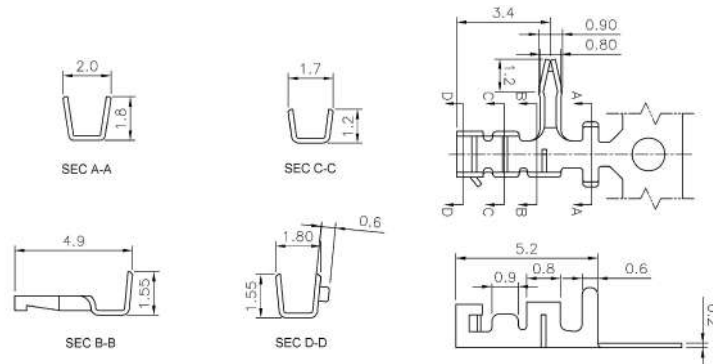
Voltage Rating: 250V AC,DC
 Current Rating: 2A AC,DC
 Withstanding Voltage: 800V AC/minute
 Insulation Resistance: 1000 MΩ min.
 Temperature Range: -25°C ~ +85°C
 Contact Resistance: 20 mΩ max.

TERMINAL

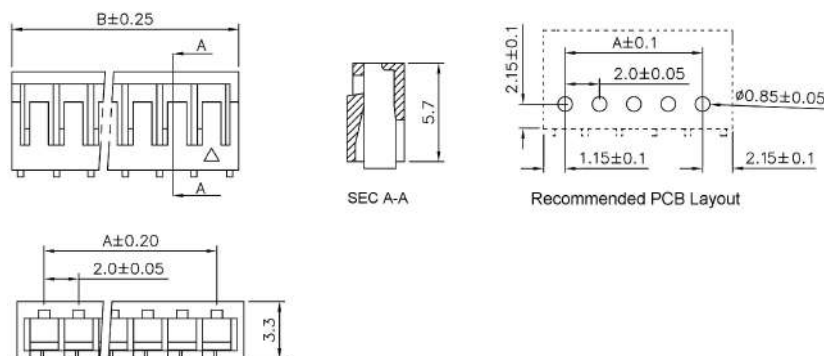
Applicable wires: AWG 24 ~ 30
 Material: Brass
 Finish: Tin plated
 Q.ty: 10000 pcs/reel

HOUSING

Poles: 2-16
 Material: Nylon 66, UL 94V-0
 Q.ty: 1000 pcs/bag



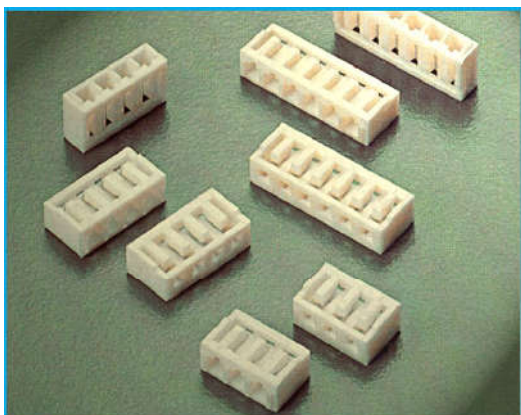
App. Wire	Part No	Material	Finish	Q.ty	App. Wire	Part No	Material	Finish	Q.ty
AWG 24-30	6147T	Brass	Tin pl.	10000					



Poles	Part No.	A (mm)	B (mm)	Poles	Part No.	A (mm)	B (mm)
2	6147F02	2.00	5.20	12	6147F12	22.00	25.20
3	6147F03	4.00	7.20	13	6147F13	24.00	27.20
4	6147F04	6.00	9.20	14	6147F14	26.00	29.20
5	6147F05	8.00	11.20	15	6147F15	28.00	31.20
6	6147F06	10.00	13.20	16	6147F16	30.00	33.20
7	6147F07	12.00	15.20				
8	6147F08	14.00	17.20				
9	6147F09	16.00	19.20				
10	6147F10	18.00	21.20				
11	6147F11	20.00	23.20				

CABLING CONNECTORS

2,5 mm pitch - wire to board connectors - 6105



SPECIFICATIONS

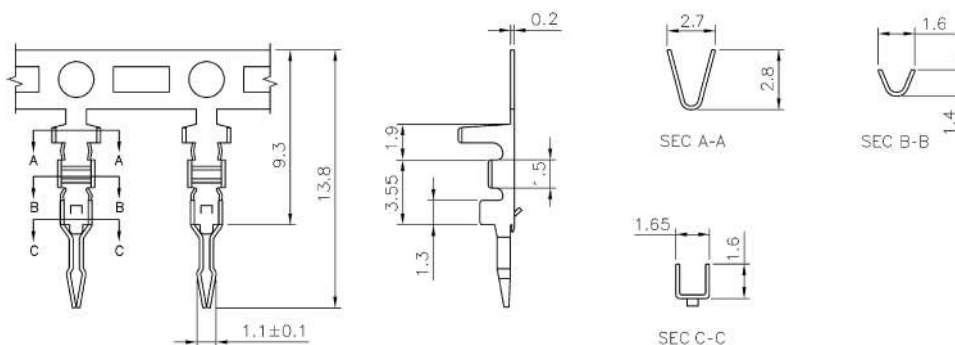
Voltage Rating: 250V AC,DC
 Current Rating: 3A AC,DC
 Withstanding Voltage: 800V AC/minute
 Insulation Resistance: 1000 MΩ min.
 Temperature Range: -25°C ~ +85°C
 Contact Resistance: 20 mΩ max.

TERMINAL

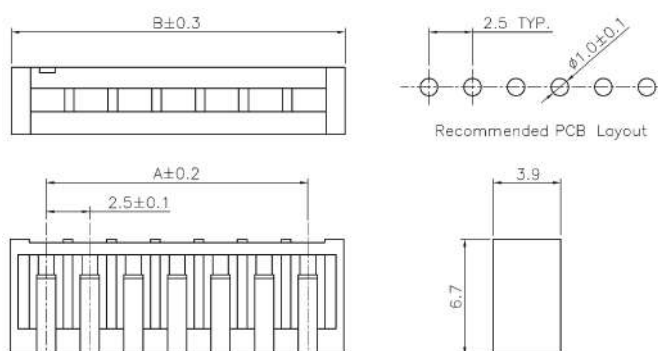
Applicable wires: AWG 22 ~ 28
 Material: Brass
 Finish: Tin plated
 Q.ty: 10000 pcs/reel

HOUSING

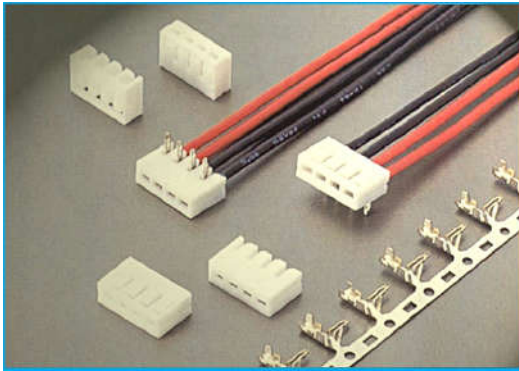
Poles: 2-16
 Material: Nylon 66, UL 94V-0
 Q.ty: 1000 pcs/bag



App. Wire	Part No.	Material	Finish	Q.ty	App. Wire	Part No.	Material	Finish	Q.ty
AWG 22-28	6105T	Brass	Tin pl.	10000					



Poles	Part No.	A (mm)	B (mm)	Poles	Part No.	A (mm)	B (mm)
2	6105F02	2,50	6,50	12	6105F12	27,50	31,50
3	6105F03	5,00	9,00	13	6105F13	30,00	34,00
4	6105F04	7,50	11,50	14	6105F14	32,50	36,50
5	6105F05	10,00	14,00	15	6105F15	35,00	39,00
6	6105F06	12,50	16,50	16	6105F16	37,50	41,50
7	6105F07	15,00	19,00				
8	6105F08	17,50	21,50				
9	6105F09	20,00	24,00				
10	6105F10	22,50	26,50				
11	6105F11	25,00	29,00				



SPECIFICATIONS

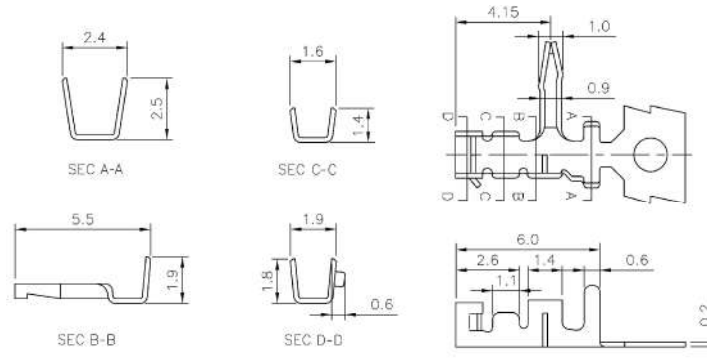
Voltage Rating: 250V AC,DC
 Current Rating: 3A AC,DC
 Withstanding Voltage: 800V AC/minute
 Insulation Resistance: 1000 MΩ min.
 Temperature Range: -25°C ~ +85°C
 Contact Resistance: 20 mΩ max.

TERMINAL

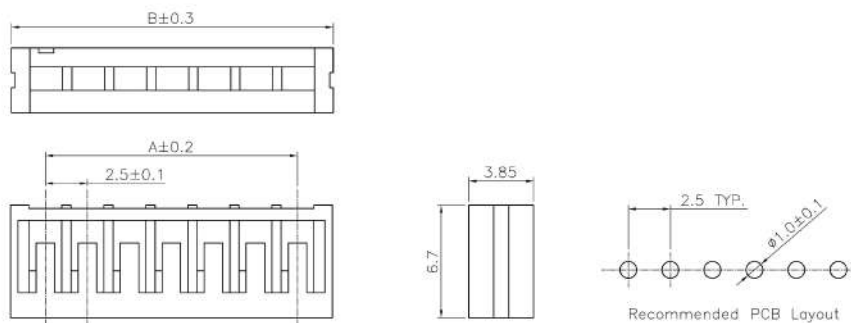
Applicable wires: AWG 22 ~ 28
 Material: Brass
 Finish: Tin plated
 Q.ty: 10000 pcs/reel

HOUSING

Poles: 2-16
 Material: Nylon 66, UL 94V-0
 Q.ty: 1000 pcs/bag



App. Wire	Part No.	Material	Finish	Q.ty	App. Wire	Part No.	Material	Finish	Q.ty
AWG 22-28	6148T	Brass	Tin Pl.	10000					



Poles	Part No.	A (mm)	B (mm)	Poles	Part No.	A (mm)	B (mm)
2	6148F02	2.50	6.50	12	6148F12	27.50	31.50
3	6148F03	5.00	9.00	13	6148F13	30.00	34.00
4	6148F04	7.50	11.50	14	6148F14	32.50	36.50
5	6148F05	10.00	14.00	15	6148F15	35.00	39.00
6	6148F06	12.50	16.50	16	6148F16	37.50	41.50
7	6148F07	15.00	19.00				
8	6148F08	17.50	21.50				
9	6148F09	20.00	24.00				
10	6148F10	22.50	26.50				
11	6148F11	25.00	29.00				